

MYERS® ME40 SERIES

The Myers ME40 series effluent pumps are one of the industry's most efficient models featuring a 4/10 HP motor. This powerful pump provides the flow and head required for demanding dosing systems and drainage applications. The ME40 incorporates cast iron, engineered thermoplastic and stainless steel in combination to produce a powerful and highly durable pump.

Available with automatic float switch or manual models for use with external controls for precision dosing installations.



APPLICATIONS

Effluent removal, sump drainage, water transfer, flood control

SPECIFICATIONS

- Capacities** – 80 GPM (303 LPM)
- Shut-off Head** – 32' (9.75 m)
- Operation** – Manual or automatic
- Max. Spherical Solids** – 3/4" (19 mm)
- Liquids Handling** – Domestic effluent and drain water
- Intermittent Liquid Temperature** – Up to 140°F (60°C)
- Motor/Electrical Data** – 4/10 HP, 1650 RPM, oil-filled, permanent split capacitor type, 115V, 12A, 1Ø, 60Hz; 230V, 6A, 1Ø, 60Hz
- Acceptable pH Range** – 5-9
- Specific Gravity** – .9-1.1
- Viscosity** – 28-35 SSU
- Discharge, NPT** – 1-1/2" (38 mm)
- Housing** – Cast iron
- Minimum Sump Diameter** – Simplex: 24" (61.0 cm)
Duplex: 36" (91.4 cm)
- Power Cord** – 10' or 20', 16/3, SJTW

FEATURES



Efficient Dosing

Two-vane cast iron impeller design provides maximum dosing efficiency

Powerful Torque

High-torque, permanent split capacitor (PSC) motor; no starting switches or relays to wear out

Rugged and Cool

Rugged-built, oil-filled motor for continuous bearing lubrication and maximum heat dissipation

Water-tight Fit

Positive sealing, quick-connect float and switch cords make replacement easy

Seal Protection

Lower ball bearing and heavy duty Type 6 seal for added pump life

Automatically Better

Field-tested, wide-angle, mercury-free float switch provides maximum drawdown (automatic models only)

Dual Operation

Automatic float switch or manual operation by plugging directly into outlet

Thermal Protection

Heat sensor overload protection with automatic reset when motor cools to a safe operating temperature

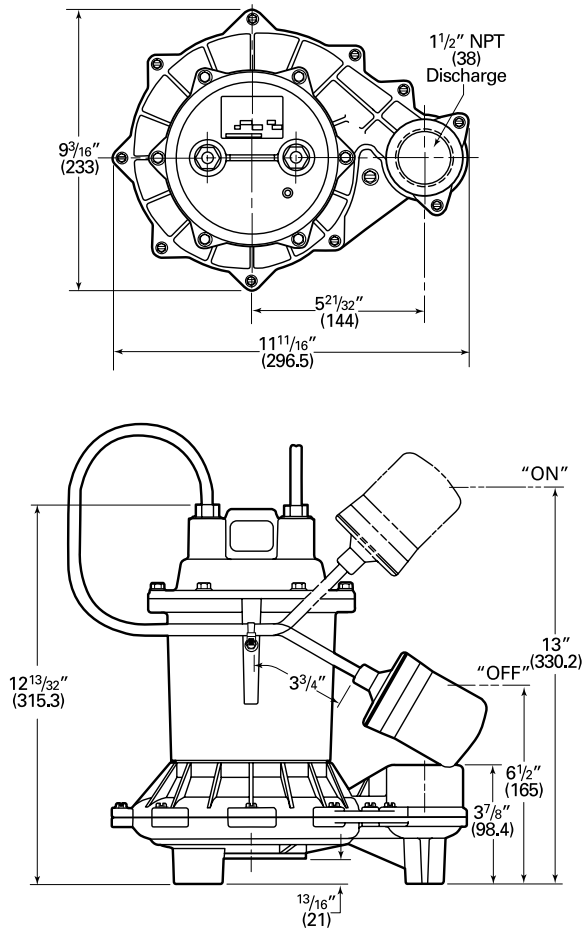
MYERS® ME40 SERIES

ORDERING INFORMATION

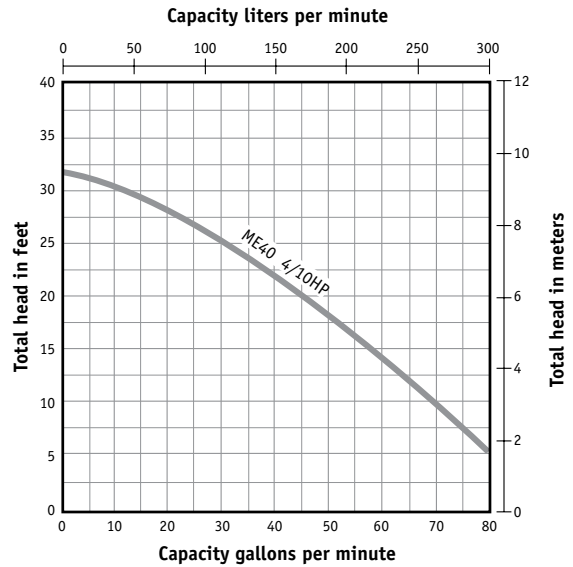
Catalog Number	HP	Volts	Phase/Cycles	Amps	Discharge Size	Switch Type	Approx. Cord Length	Wt. Lbs.
ME40A-11	4/10	115	1/60	12.0	1-1/2"	Tethered Automatic	10'	27
ME40AC-11	4/10	115	1/60	12.0	1-1/2"	Tethered Automatic	20'	28
ME40M-11	4/10	115	1/60	12.0	1-1/2"	Manual	10'	26
ME40MC-11	4/10	115	1/60	12.0	1-1/2"	Manual	20'	27
ME40AC-21	4/10	230	1/60	6.0	1-1/2"	Tethered Automatic	20'	28
ME40MC-21	4/10	230	1/60	6.0	1-1/2"	Manual	20'	27
ME40P-1	4/10	115	1/60	6.0	1-1/2"	Tethered Automatic*	10'	28
ME40PC-1	4/10	115	1/60	6.0	1-1/2"	Tethered Automatic*	20'	29
ME40PC-2	4/10	230	1/60	6.0	1-1/2"	Tethered Automatic*	20'	29

*Piggyback

DIMENSIONS



PUMP PERFORMANCE



MYERS® ME40 SERIES

SPECIFICATIONS

Effluent Pumps – Pump(s) shall be F. E. Myers ME40 Series sump pumps selected in accordance with the following design criteria:

Number of Pumps:	_____
Primary Design Flow:	_____
Primary Design Head:	_____
Minimum Shut-off Head:	32'
Motor Horsepower:	4/10
Motor Speed:	1650 RPM
Electrical:	115 Volts, 1Ø, 60 Hz or 230 Volts, 1Ø, 60 Hz

Pump – The pump shall be designed to handle septic tank effluent and be capable of passing 3/4 inch spherical solids. The pump shall be capable of handling liquids with temperatures to 140°F intermittent.

Motor – The pump motor shall be of the submersible type rated 4/10 hp at 1650 RPM and shall be for _____115 volts or _____230 volts single phase, 60 cycles. Single phase motor shall be of the shaded pole type with no relays or starting switches. Stator winding shall be of the open type with Class A insulation rated for 105°C maximum operating temperature. The winding housing shall be filled with clean dielectric oil to lubricate bearings and seals, and transfer heat from the windings to the outer shell. The motor winding assembly shall be pressed into the stator housing for best alignment and heat transfer.

The motor shall be capable of operating over the full range of the performance curve without overloading the motor and causing any objectionable noise or vibration. The motor shall have two bearings to support the rotor; an upper sleeve bearing to accommodate radial loads and a lower sleeve bearing with thrust pad to take thrust and radial loads.

A heat sensor thermostat and overload shall be attached to the top end of the motor windings and shall be wired in series with the windings to stop the motor if the motor winding temperature reaches 221°F. The overload thermostat shall reset automatically when the motor cools to a safe operating temperature.

Power Cord – The motor power cord shall be _____10 or _____20 feet SJOW or SJTW type. The power and switch cords shall be of the positive sealing, quick-disconnect type. The power and switch cable connections shall be sealed at the motor entrance by means of a compression nut which serves to make a positive electrical connection and prevent water from entering the cable jacket and motor housing.

Optional Control Switch – The effluent pump shall be controlled by an optional integral float switch. The float switch shall be of a non-mercury type and be capable of directly controlling the pump motor without the need for an external control panel.

Shaft Seal – The motor shall be protected by a rotating mechanical shaft seal. The seals shall have carbon and ceramic seal faces lapped to a tolerance of one light band. Metal parts and springs for seals shall be 300 series stainless steel.

Pump Impeller – The pump impeller shall be of the two vane enclosed type. The impeller shall be constructed of cast iron.

Motor Castings – The motor housing castings shall be of high tensile strength Class 30 gray cast iron. Castings shall be treated with phosphate and painted with a high quality air dried modified epoxy resin for corrosion protection.

Pump Case – The pump case shall be a high efficiency volute design capable of passing 3/4 inch spherical solids. The pump volute shall be constructed of corrosion resistant, high impact, engineered thermoplastic.

Fasteners – All exposed fasteners shall be of 300 series stainless steel.

MYERS® ME40 SERIES



USA
293 WRIGHT STREET, DELAVAN, WI 53115 WWW.FEMYERS.COM
PH: 888-987-8677 ORDERS FAX: 800-426-9446

CANADA
490 PINEBUSH ROAD, UNIT 4, CAMBRIDGE, ONTARIO N1T 0A5
PH: 800-363-7867 ORDERS FAX: 888-606-5484

Because we are continuously improving our products and services, Pentair reserves the right to change specifications without prior notice.