



Version: 2.0  
Total pages: 28  
Date: August 16, 2004

# AU OPTRONICS CORPORATION

## Product Specifications

### 15.0" XGA Color TFT-LCD Module

**Model Name: G150XG01  
V.0**

|             |             |
|-------------|-------------|
| Approved by | Prepared by |
| Martin Sun  | Yen Chuang  |

*AU Optronics Corporation*

|            |                       |
|------------|-----------------------|
| Customer   | Checked & Approved by |
| <i>All</i> |                       |



Version: 2.0

Total pages: 28

Date: August 16, 2004

## **Product Specification**

**15.0" XGA Color TFT-LCD Module**

**Model Name: G150XG01**

**V.0**

Final Specifications



## **i Contents**

|   |              |
|---|--------------|
| <b>1.0 Handling Precautions</b>           | <b>P. 6</b>  |
| <b>2.0 General Description</b>            | <b>P. 7</b>  |
| 2.1 Display Characteristics               |              |
| 2.2 Functional Block Diagram              |              |
| <b>3.0 Absolute Maximum Ratings</b>       | <b>P. 12</b> |
| <b>4.0 Optical Characteristics</b>        | <b>P. 13</b> |
| 4.1 Signal for Lamp connector             |              |
| 4.2 Parameter guideline for CCFL Inverter |              |
| <b>5.0 Signal Interface</b>               | <b>P. 14</b> |
| 5.1 Module Interface Connectors           |              |
| 5.2 Module Connector Pin Configuration    |              |
| 5.3 Backlight Connectors                  |              |
| 5.4 Backlight Connector Pin Configuration |              |
| 5.5 Signal Electrical Characteristics     |              |
| 5.6 Interface Timing Characteristics      |              |
| 5.7 Interface Timing Definition           |              |
| <b>6.0 Pixel Format Image</b>             | <b>P. 19</b> |
| <b>7.0 Power Consumption</b>              | <b>P. 20</b> |
| <b>8.0 Power ON/OFF Sequence</b>          | <b>P. 20</b> |
| <b>9.0 Backlight Characteristics</b>      | <b>P. 21</b> |
| 9.1 Signal for Lamp connector             |              |
| 9.2 Parameter guideline for CCFL Inverter |              |
| <b>10.0 Vibration, Shock, and Drop</b>    | <b>P. 22</b> |
| 10.1 Vibration & Shock                    |              |
| 10.1.1 Vibration Test Spec                |              |
| 10.1.2 Shock Test Spec                    |              |
| 10.2 Drop                                 |              |
| <b>11.0 Environment</b>                   | <b>P. 23</b> |
| 11.1 Temperature and Humidity             |              |
| 11.1.1 Operating Conditions               |              |
| 11.1.2 Shipping Conditions                |              |
| 11.2 Atmospheric Pressure                 |              |
| 11.3 Thermal Shock                        |              |



|  |              |
|--|--------------|
| <b>12.0 Reliability</b>                | <b>P. 24</b> |
| 12.1 Failure criteria                  |              |
| 12.2 Failure rate                      |              |
| 12.2.1 Usage                           |              |
| 12.2.2 Components de-rating            |              |
| 12.3 CCFL life                         |              |
| 12.4 ON/OFF cycle                      |              |
| <br>                                   |              |
| <b>13.0 Safety</b>                     | <b>P. 25</b> |
| 13.1 Sharp edge requirement            |              |
| 13.2 Material                          |              |
| 13.2.1 Toxicity                        |              |
| 13.2.2 Flammability                    |              |
| 13.3 Capacitors                        |              |
| 13.4 Hazardous voltage                 |              |
| <br>                                   |              |
| <b>14.0 Other requirements</b>         | <b>P. 25</b> |
| 14.1 Smoke free design                 |              |
| 14.2 National test lab requirement     |              |
| <br>                                   |              |
| <b>15.0 Label</b>                      | <b>P. 25</b> |
| <br>                                   |              |
| <b>16.0 Mechanical Characteristics</b> | <b>P. 26</b> |





## 1.0 Handling Precautions

- 1) Since front polarizer is easily damaged, pay attention not to scratch it.
- 2) Be sure to turn off power supply when inserting or disconnecting from input connector.
- 3) Wipe off water drop immediately. Long contact with water may cause discoloration or spots.
- 4) When the panel surface is soiled, wipe it with absorbent cotton or other soft cloth.
- 5) Since the panel is made of glass, it may break or crack if dropped or bumped on hard surface.
- 6) Since CMOS LSI is used in this module, take care of static electricity and insure human earth when handling.
- 7) Do not open nor modify the Module Assembly.
- 8) Do not press the reflector sheet at the back of the module to any directions.
- 9) In case if a Module has to be put back into the packing container slot after once it was taken out from the container, do not press the center of the CCFL Reflector edge. Instead, press at the far ends of the CFL Reflector edge softly. Otherwise the TFT Module may be damaged.
- 10) At the insertion or removal of the Signal Interface Connector, be sure not to rotate nor tilt the Interface Connector of the TFT Module.
- 11) After installation of the TFT Module into an enclosure (LCD monitor housing, for example), do not twist nor bend the TFT Module even momentary. At designing the enclosure, it should be taken into consideration that no bending/twisting forces are applied to the TFT Module from outside. Otherwise the TFT Module may be damaged.
- 12) Cold cathode fluorescent lamp in LCD contains a small amount of mercury. Please follow local ordinances or regulations for disposal.
- 13) Small amount of materials having no flammability grade is used in the LCD module. The LCD module should be supplied by power complied with requirements of Limited Power Source (2.11, IEC60950 or UL1950), or be applied exemption.
- 14) The LCD module is designed so that the CFL in it is supplied by Limited Current Circuit (2.4, IEC60950 or UL1950). Do not connect the CFL in Hazardous Voltage Circuit.



## 2.0 General Description

This specification applies to the 15.0 inch Color TFT-LCD Module G150XG01.

The display supports the XGA (1024(H) x 768(V)) screen format and 262,144 colors (RGB 6-bits data).

All input signals are 1 Channel LVDS interface compatible.

This module does not contain an inverter card for backlight.

## Features

- XGA 1024(H) x 768(V) resolution
- 50,000 hours lamp life
- 2 CCFLs (Cold cathode Fluorescent Lamp)
- High contrast ratio, high aperture ratio
- Wide viewing angle
- High-speed response
- Low power consumption

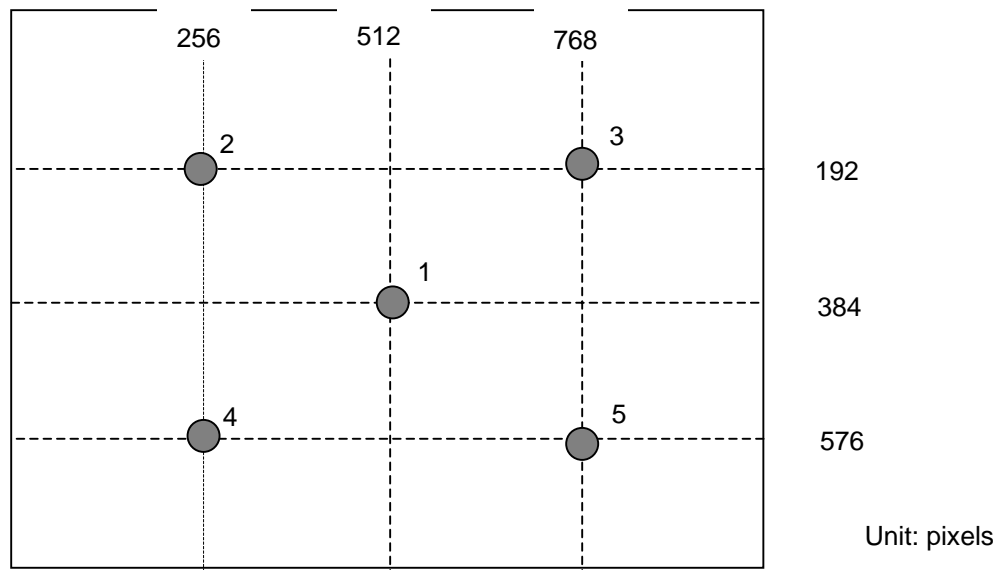
## Application

Industrial Applications

## 2.1 Display Characteristics

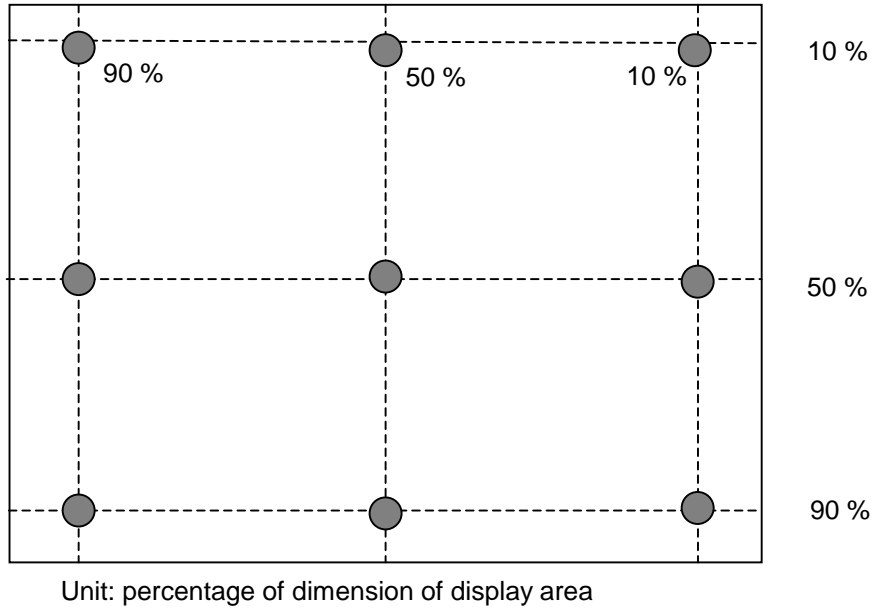
The following items are characteristics summary on the table under 25 condition:

| ITEMS                                    | Unit                 | SPECIFICATIONS                                |
|--|----------------------|---|
| Screen diagonal                          | [mm]                 | 381 (15")                                     |
| Outline dimension                        | [mm]                 | 326.5 (Typ.) x 253.5 (Typ.) x 12.0 (Max.)     |
| Display Area                             | [mm]                 | 304.128 (H) x 228.096(38.1cm diagonal)        |
| Resolution                               |                      | 1024(R,G,B x 3) x 768                         |
| Pixel Pitch                              | [mm]                 | 0.297 x 0.297                                 |
| Pixel Arrangement                        |                      | R.G.B. Vertical Stripe                        |
| Display Mode                             |                      | TN mode, Normally White                       |
| Typical white Luminance.                 | [cd/m <sup>2</sup> ] | 350nit (Typ.) @ 6.5mA (Note 1)                |
| Brightness uniformity                    |                      | 80% (Typ.) (Note 2)                           |
| Luminance uniformity                     |                      | 1.7 (Max.) (Note 3)                           |
| Crosstalk (at 60Hz)                      |                      | 1.2% (Max.) (Note 4)                          |
| Contrast Ratio                           |                      | 400 : 1 (Typ.)                                |
| Support Colors                           |                      | 262,144 colors (6-bit for R,G,B)              |
| Chromaticity(CIE1931)                    | White-x              | 0.313   |
|  | White-y              | 0.329   |
| Color Gamut                              |                      | 60% (Typ.), of NTSC coverage                  |
| Viewing angle                            |                      | 60(left), 60(right), 40(up), 60(down) CR=10   |
| Response Time                            | [msec]               | 16ms (Typ.) (Tr +Tf)                          |
| Nominal Input Voltage VDD                | [Volt]               | +3.3 V  |
| Power Consumption (VDD line + CCFL line) | [Watt]               | 11.5 W (Typ.) @6.5mA (All Black Pattern)      |
| Electrical Interface                     |                      | LVDS (1 Ch)                                   |
| Frame rate                               | [Hz]                 | 60Hz (Typ.), 75Hz (Max.)                      |
| Weight                                   | [Grams]              | 1100 (Typ.)                                   |
| Mounting method                          |                      | Side mounting                                 |
| Surface treatment                        |                      | Anti-glare, hard coating (3H), low reflection |
| Temperature Range                        | Operating            | [°C] 0 to +50                                 |
|  | Storage (Shipping)   | [°C] -20 to +60                               |



Note 1: Brightness is measured at the center point of brightness value with all pixels displaying white.





Note 2: Brightness uniformity of these 9 points is defined as below:

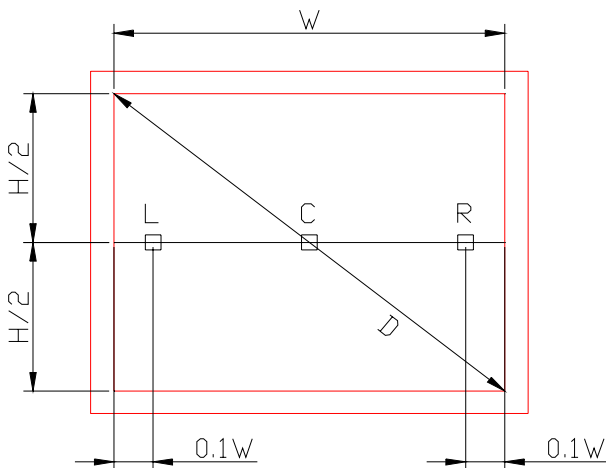
$$(\text{Min. brightness} / \text{Max. brightness}) \times 100\%$$

Note 3: TCO '99 Certification Requirements and test methods for environmental labeling of Display Report No. 2 defines Luminance uniformity as below:

$$((L_{\text{max},+30\text{deg.}} / L_{\text{min},+30\text{deg.}}) + (L_{\text{max},-30\text{deg.}} / L_{\text{min},-30\text{deg.}})) / 2$$

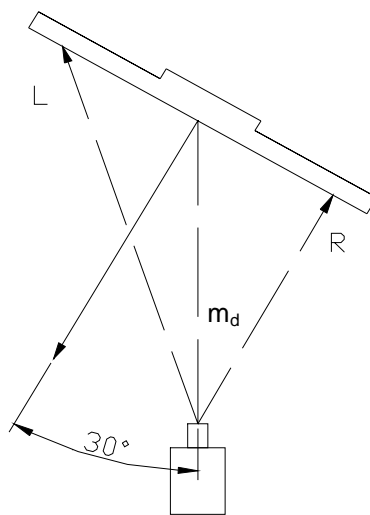
TCO 99 certification requirements and test methods:

1) Diagrammatic :



□  
Measurement  
Position

Effective area :  $W \times H$



$L_{\text{max}, +30^\circ}$  and  $L_{\text{min}, +30^\circ}$

2) D is the diagonal of the screen in centimeters. And  $m_d$  is as follow.

$$m_d(\text{cm})=D \times 1.5 \text{ with a minimum distance : } m_d=50 \text{ cm}$$

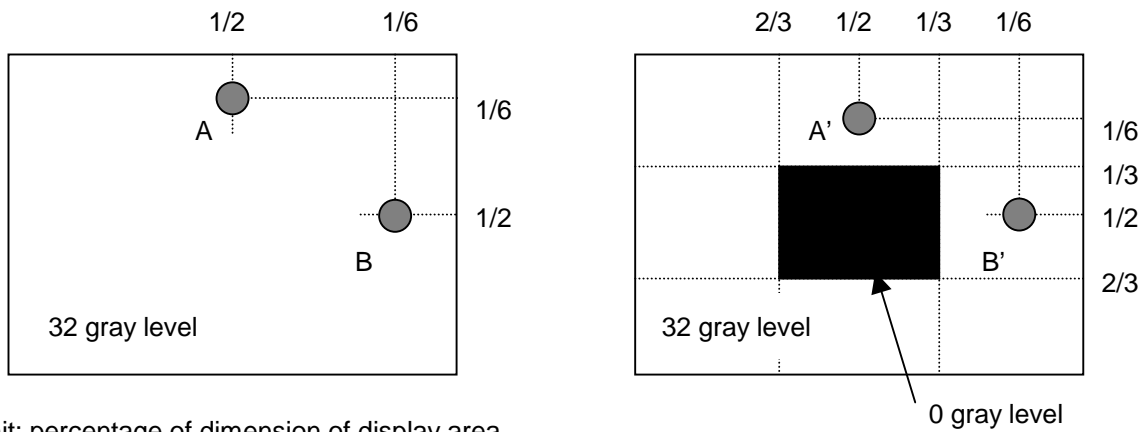
3) The measurement positions shall consist of an active white square of size 4 by 4 cm.

4) Measure  $L_{\max, +30^\circ}$  and  $L_{\min, +30^\circ}$  that are given as points L & R. And then rotated to an azimuth angle of  $-30$  degrees and measure  $L_{\max, -30^\circ}$  and  $L_{\min, -30^\circ}$  again using the same procedure.

5) The variation in luminance ratio is calculated as the ratio:

$$L_R = ((L_{\max, +30^\circ} / L_{\min, +30^\circ}) + (L_{\max, -30^\circ} / L_{\min, -30^\circ})) / 2 \quad \mathbf{1.7}$$

Note 4:



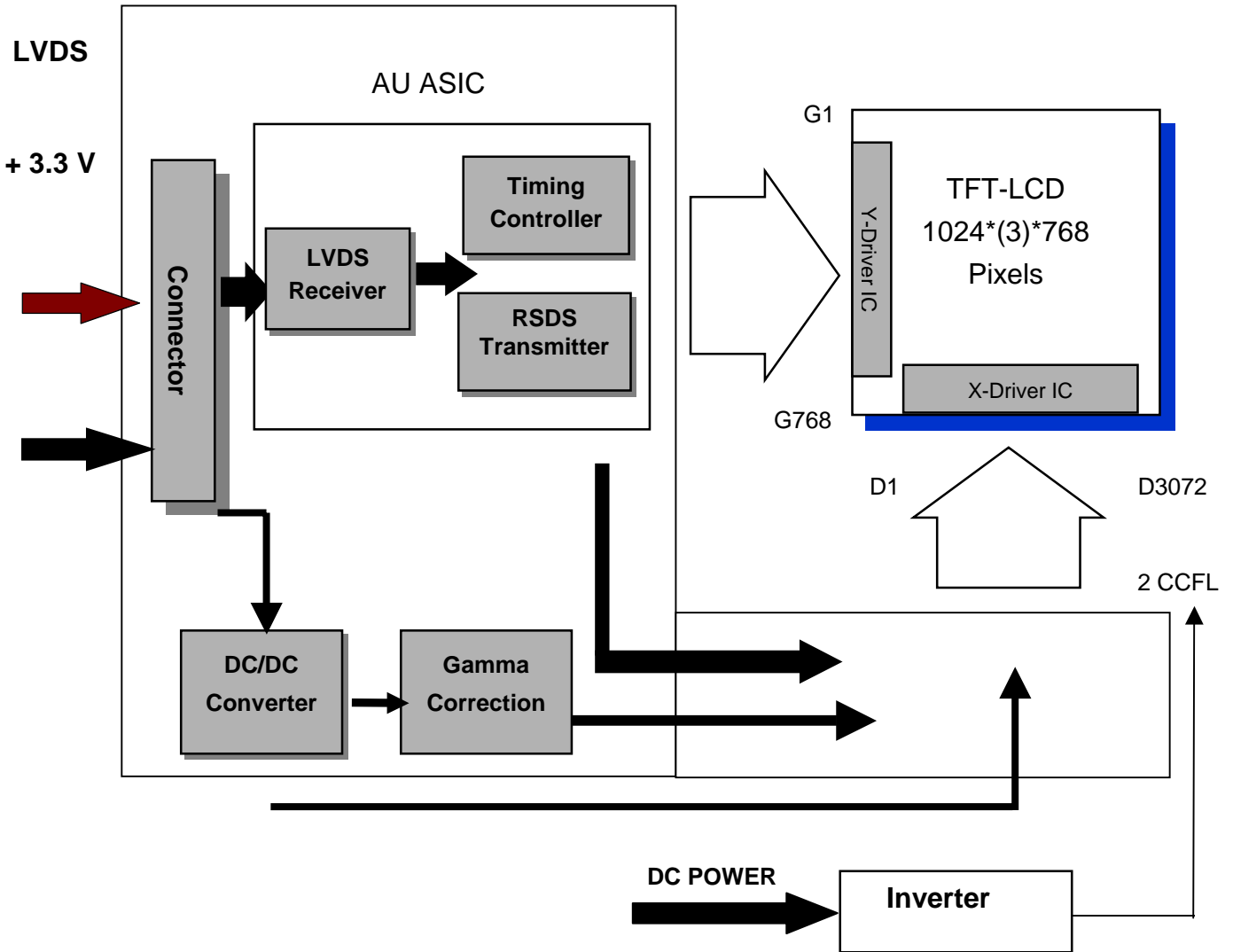
$|L_A - L_{A'}| / L_A \times 100\% = 1.2\% \text{ max.}$ ,  $L_A$  and  $L_B$  are brightness at location A and B

$|L_B - L_{B'}| / L_B \times 100\% = 1.2\% \text{ max.}$ ,  $L_{A'}$  and  $L_{B'}$  are brightness at location A' and B'



## 2.2 Functional Block Diagram

The following diagram shows the functional block of 15.0 inches Color TFT-LCD Module:



DF-14H-20P-1.25H (Hirose)  
CWY20G-A0D1T (PTWO)

JST BHR-03VS-1



### 3.0 Absolute Maximum Ratings

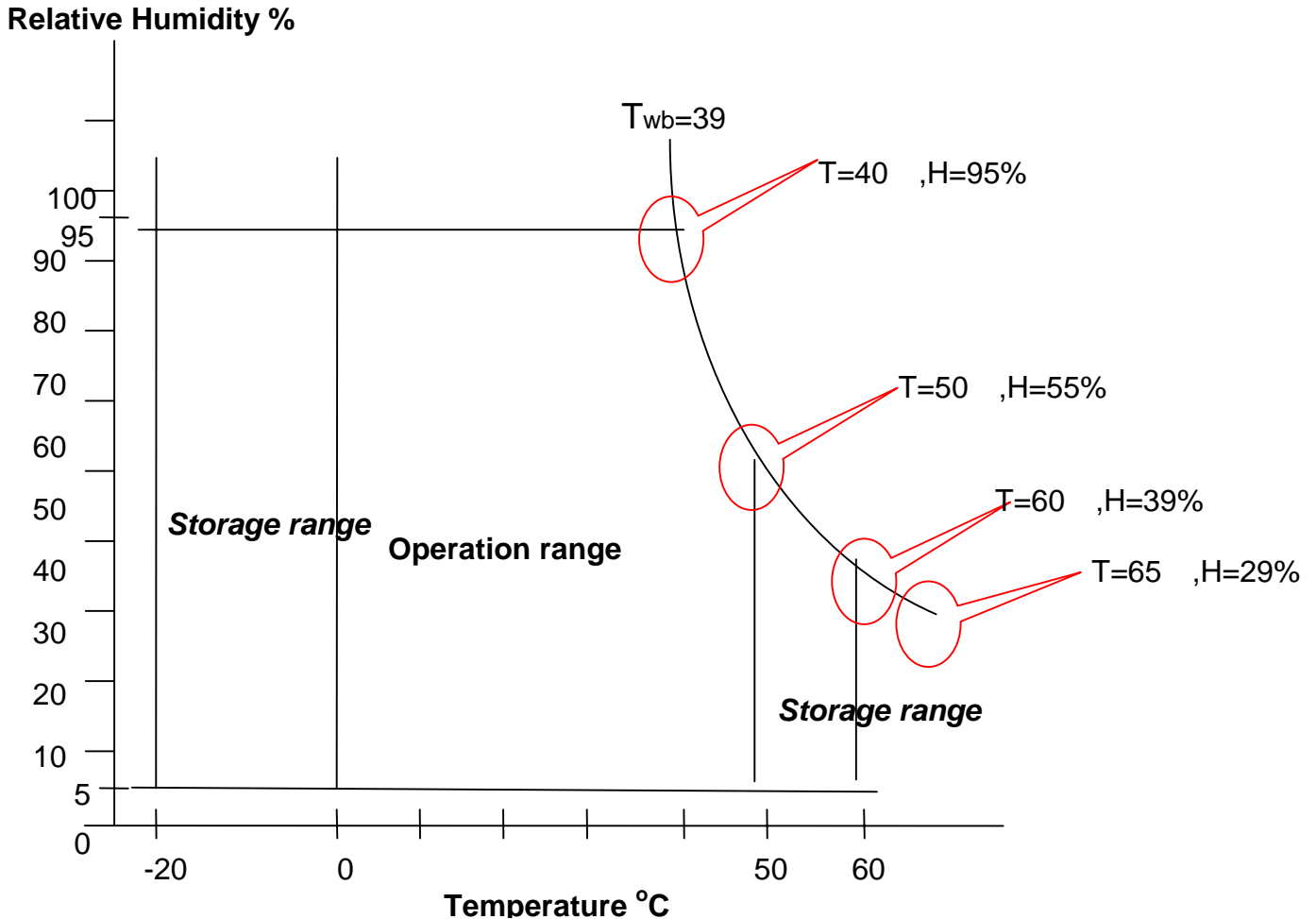
Absolute maximum ratings of the module is as following:

| Item                    | Symbol | Min  | Max          | Unit     | Conditions     |
|-------------------------|--------|------|--------------|----------|----------------|
| Logic/LCD Drive Voltage | VDD    | -0.3 | +3.6         | [Volt]   |                |
| Input Voltage of Signal | Vin    | -0.3 | +3.6         | [Volt]   |                |
| CCFL Current            | ICFL   | 2.5  | 8.5          | [mA] rms | Note 1         |
| Operating Temperature   | TOP    | 0    | +50          | [°C]     | Note 2         |
| Operating Humidity      | HOP    | 20   | 85           | [%RH]    | Note 2         |
| Storage Temperature     | TST    | -20  | +60          | [°C]     | Note 2         |
| Storage Humidity        | HST    | 5    | 95           | [%RH]    | Note 2         |
| Vibration               |        | -    | 1.5 / 10-200 | [G / Hz] |                |
| Shock                   |        | -    | 50/20        | [G / ms] | Half sine wave |

Note 1: CCFL life time will drop dramatically if exceeding 6.5 mA; It will have safety concern if exceeding 8.5 mA.

Note 2: Maximum Wet-Bulb should be 39 and No condensation.

#### Wet bulb temperature chart





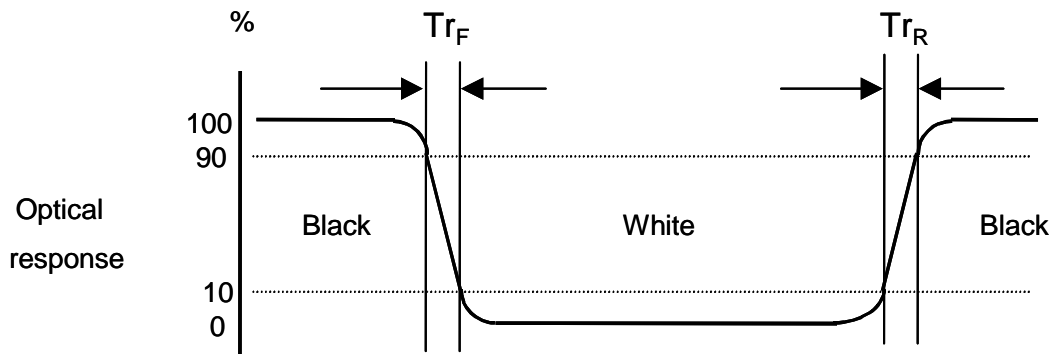
## 4.0 Optical Characteristics

The optical characteristics are measured under stable conditions at 25 (Room Temperature):

| Item                                   | Unit                 | Conditions                    | Min.  | Typ.  | Max.  |
|--|----------------------|-------------------------------|-------|-------|-------|
| Viewing Angle                          | [degree]             | Horizontal (Right)            | 50    | 60    | -     |
|  |                      | CR = 10 (Left)                | 50    | 60    |       |
|  |                      | (Right)                       | 60    | 75    |       |
|  | [degree]             | CR = 5 (Left)                 | 60    | 75    | -     |
|  |                      | Vertical (Upper)              | 30    | 40    |       |
|  |                      | CR = 10 (Lower)               | 50    | 60    |       |
|  |                      | (Upper)                       | 45    | 50    |       |
|  |                      | CR = 5 (Lower)                | 65    | 75    |       |
| Contrast ratio                         |                      | Normal Direction              | 300   | 400   | -     |
| Response Time( Note 1)                 | [msec]               | Raising Time Ton ( 10%-90% )  | -     | 4     | 6     |
|  | [msec]               | Falling Time Toff ( 90%-10% ) | -     | 12    | 17    |
|  | [msec]               | Raising + Falling             | -     | 16    | 23    |
| Color / Chromaticity Coordinates (CIE) |                      | Red x                         | 0.587 | 0.617 | 0.647 |
|  |                      | Red y                         | 0.317 | 0.347 | 0.377 |
|  |                      | Green x                       | 0.260 | 0.290 | 0.320 |
|  |                      | Green y                       | 0.563 | 0.593 | 0.623 |
|  |                      | Blue x                        | 0.118 | 0.148 | 0.178 |
|  |                      | Blue y                        | 0.070 | 0.100 | 0.130 |
| Color Coordinates (CIE) White          |                      | White x                       | 0.283 | 0.313 | 0.343 |
|  |                      | White y                       | 0.299 | 0.329 | 0.359 |
| Brightness Uniformity                  | [%]                  |                               | 75    | 80    | -     |
| White Luminance @ CCFL 6.5mA           | [cd/m <sup>2</sup> ] |                               | 300   | 350   | -     |
| Crosstalk ( in 60Hz)                   | [%]                  |                               | -     | -     | 1.2   |

Note 1: Definition of Response time:

The output signals of photodetector are measured when the input signals are changed from “Black” to “White” (falling time), and from “White” to “Black” (rising time), respectively. The response time interval between the 10% and 90% of amplitudes. Refer to figure as below.





## 5.0 Signal Interface

### 5.1 Module Interface Connectors

Physical interface is described as for the connector on module.

These connectors are capable of accommodating the following signals and will be following components

|                           |  |
|---------------------------|--|
| <b>Connector Name</b>     | Interface Connector                              |
| <b>Manufacturer</b>       | Hirose, PTWO or compatible                       |
| <b>Type / Part Number</b> | DF-14H-20P-1.25H (Hirose)<br>CWY20G-A0D1T (PTWO) |

### 5.2 Module Connector Pin Configuration

| DF-14H-20P-1.25H (Hirose) or CWY20G-A0D1T (PTWO) |        |  |
|--|--------|--|
| Pin No.  | Symbol | Description  |
| 1  | VDD    | Power Supply, 3.3V (typical)                       |
| 2  | VDD    | Power Supply, 3.3V (typical)                       |
| 3  | VSS    | Ground   |
| 4  | VSS    | Ground   |
| 5  | Rin0-  | - LVDS differential data input (R0-R5, G0)         |
| 6  | Rin0+  | + LVDS differential data input (R0-R5, G0)         |
| 7  | VSS    | Ground   |
| 8  | Rin1-  | - LVDS differential data input (G1-G5, B0-B1)      |
| 9  | Rin1+  | + LVDS differential data input (G1-G5, B0-B1)      |
| 10   | VSS    | Ground   |
| 11   | Rin2-  | - LVDS differential data input (B2-B5, HS, VS, DE) |
| 12   | Rin2+  | + LVDS differential data input (B2-B5, HS, VS, DE) |
| 13   | VSS    | Ground   |
| 14   | ClkIN- | - LVDS differential clock input                    |
| 15   | ClkIN+ | + LVDS differential clock input                    |
| 16   | VSS    | Ground   |
| 17   | Rin3-  | NC   |
| 18   | Rin3+  | NC   |
| 19   | VSS    | Ground   |
| 20   | NC     | Please *floating* and don't connect to ground.     |



### 5.3 Backlight Connectors

|                                     |                     |
|-------------------------------------|---------------------|
| <b>Connector Name / Designation</b> | For Lamp Connector  |
| <b>Manufacturer</b>                 | JST or compatible   |
| <b>Type / Part Number</b>           | BHR-03VS-1          |
| <b>Mating Type / Part Number</b>    | SM02(8.0)B-BHS-1-TB |

### 5.4 Backlight Connector Pin Configuration

| Pin | Symbol | Description       |
|-----|--------|-------------------|
| 1   | HV     | Lamp High Voltage |
| 2   | NC     | No connection     |
| 3   | LV     | Ground            |

- ◆ Cable length: 140 +- 5 mm
- ◆ Connector-output position: right side (front view)
- ◆ Lamp assembly design shall be easy for replacement and repair.

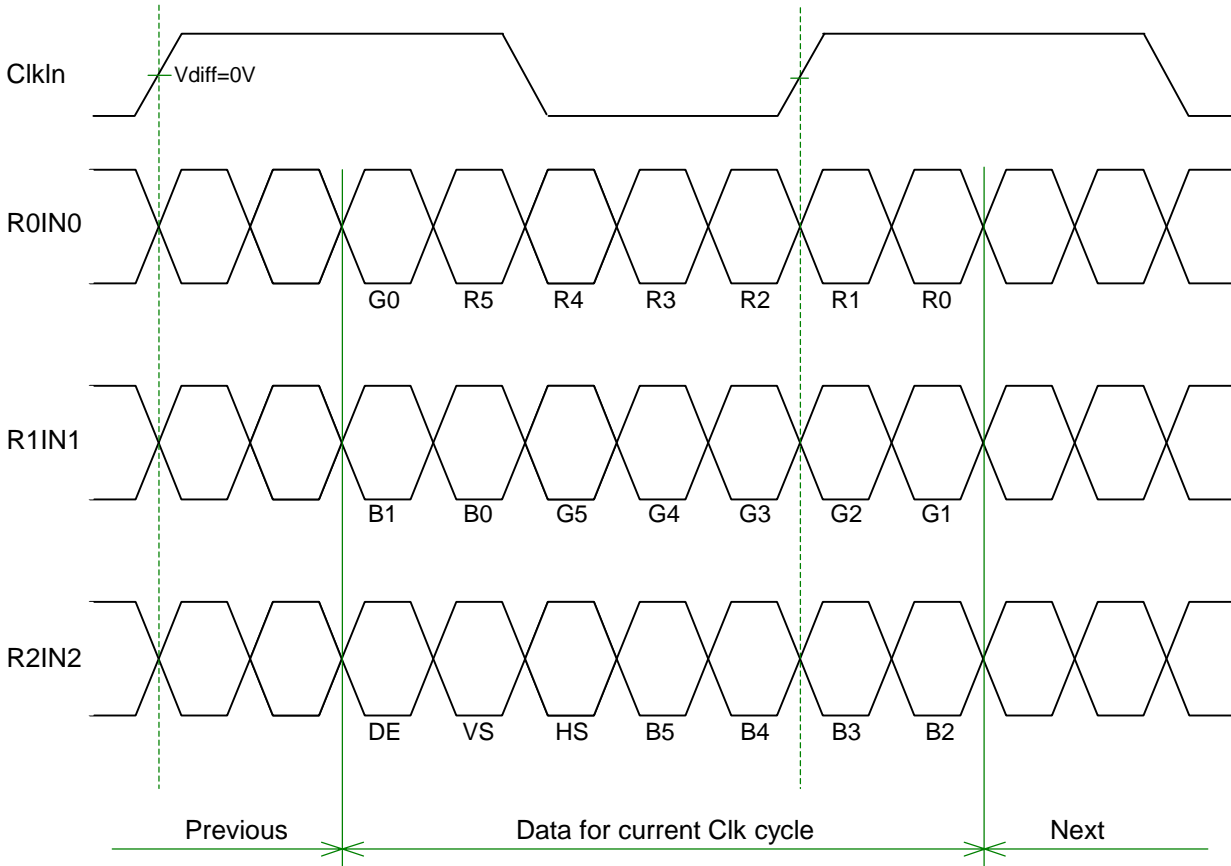
### 5.5 Signal Electrical Characteristics

Each signal characteristics are as follows;

| Item                        | Symbol | Min  | Typ  | Max  | Unit |
|-----------------------------|--------|------|------|------|------|
| LCD Drive voltage           | VDD    | +3.0 | +3.3 | +3.6 | [V]  |
| “High” input signal voltage | Vih    | 2.0  | -    | -    | [V]  |
| “Low” input signal voltage  | Vil    | -    | -    | 0.8  | [V]  |



### 6-bits input data format



**Note: R/G/B data 5: MSB, R/G/B data 0: LSB**

Input signals shall be low or Hi-Z state when Vin is off  
 It is recommended to refer to the specifications of SN75LVDS82DGG (Texas Instruments) in detail.

Each signal characteristics are as follows:

| Parameter | Condition                                  | Min  | Max  | Unit |
|-----------|--|------|------|------|
| Vth       | Differential Input High Voltage(Vcm=+1.2V) | -    | +100 | [mV] |
| Vtl       | Differential Input Low Voltage(Vcm=+1.2V)  | -100 | -    | [mV] |





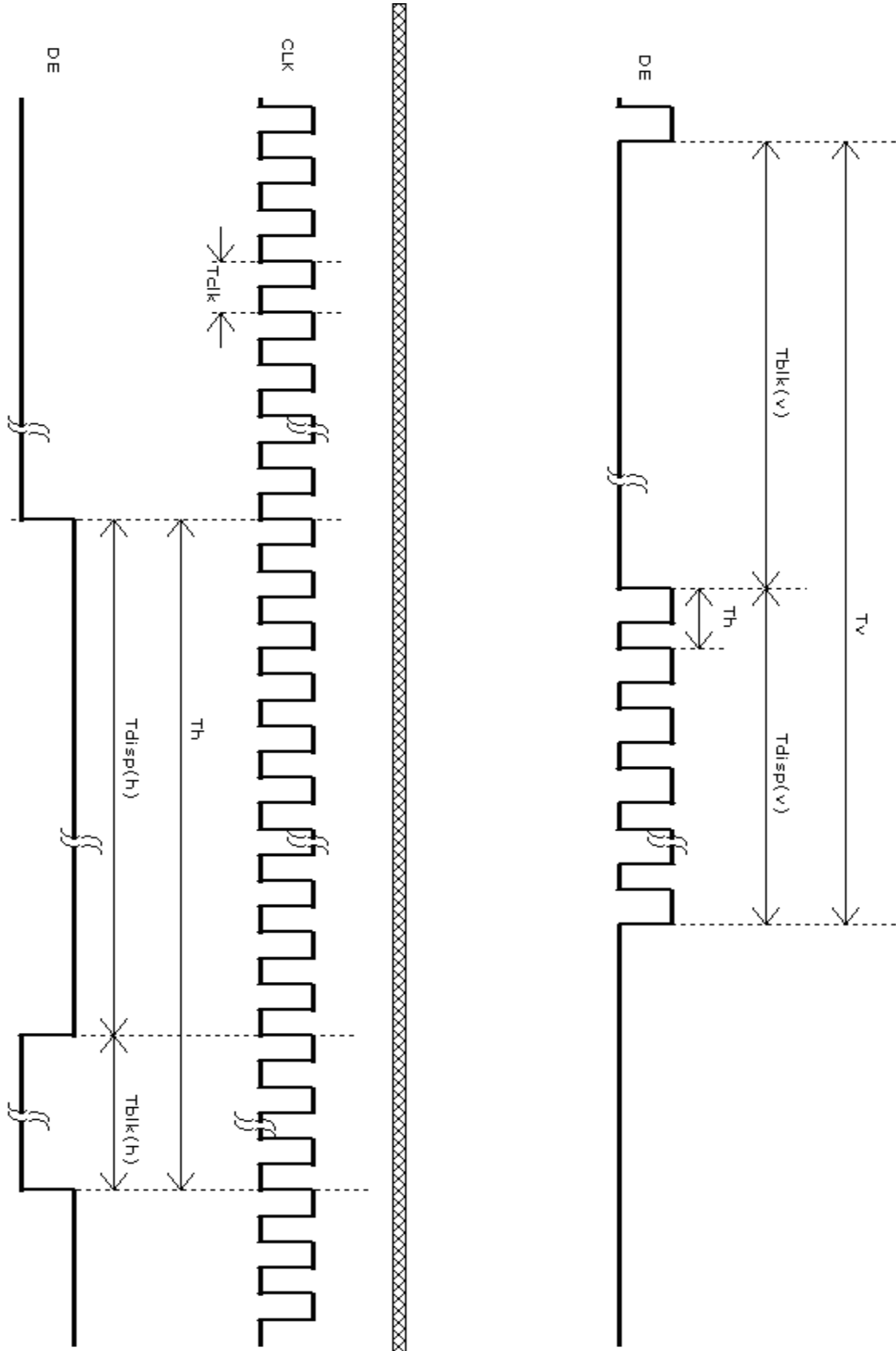
## 5.6 Interface Timing Characteristics

Basically, interface timings described here is not actual input timing of LCD module but output timing of SN75LVDS82DGG (Texas Instruments) or equivalent.

| Signal       | Parameter           | Symbol | MIN  | TYP  | MAX  | Unit |
|--------------|---------------------|--------|------|------|------|------|
| Clock Timing | Clock frequency     | clk    | 50   | 65   | 81   | MHz  |
| Hsync Timing | Horizontal active   | Thd    | 1024 | 1024 | 1024 | Tclk |
|              | Horizontal blanking | Thbl   | 30   | 320  | 1024 | Tclk |
|              | Horizontal period   | Th     | 1054 | 1344 | 2048 | Tck  |
| Vsync Timing | Vertical active     | Tvd    | 768  | 768  | 768  | Th   |
|              | Vertical blanking   | Tvbl   | 8    | 38   | 256  | Th   |
|              | Vertical period     | Tv     | 776  | 806  | 1024 | Th   |

**Note:** Typical value refer to VESA STANDARD

## 5.7 Interface Timing Definition







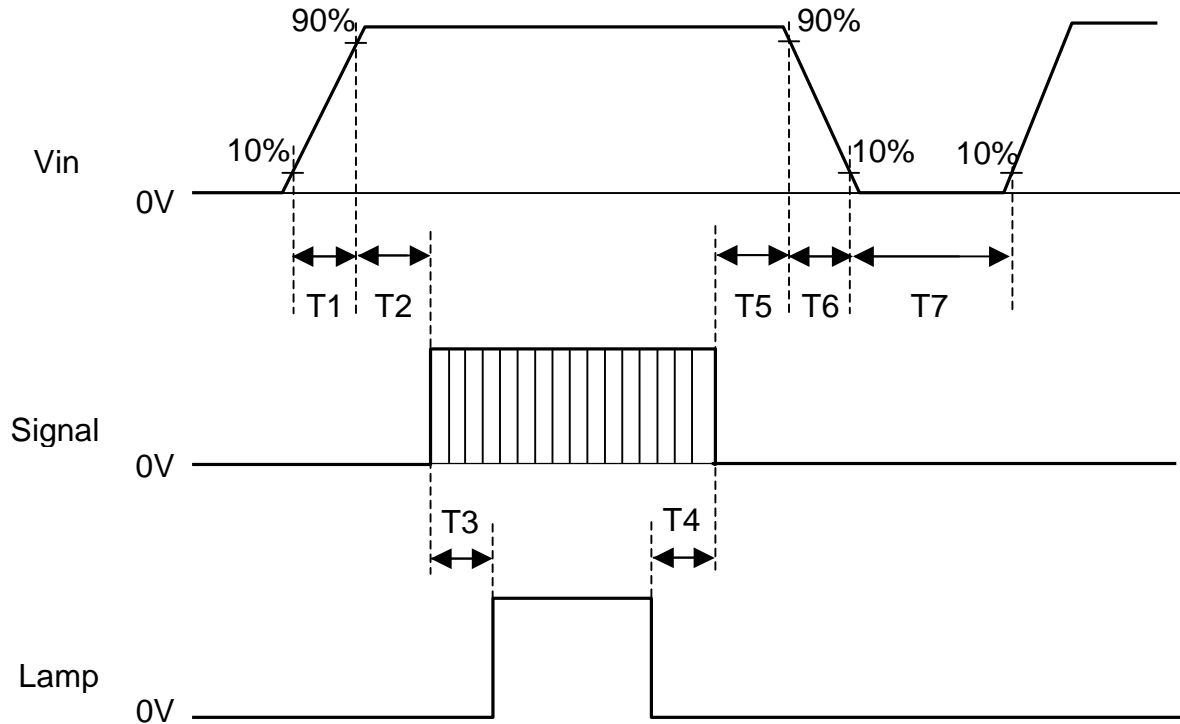
## 7.0 Power Consumption

Input power specifications are as follows;

| Symbol | Parameter                        | Min | Typ | Max | Unit        | Condition                   |
|--------|----------------------------------|-----|-----|-----|-------------|-----------------------------|
| VDD    | LCD Drive Voltage                | 3.0 | 3.3 | 3.6 | [V]         |                             |
| IDD    | LCD Drive Current                | -   | 1.0 | 1.3 | [A]         | VDD=3.3V, All Black Pattern |
| PDD    | LCD Drive power consumption      | -   | 3.3 | 4.3 | [Watt]      | VDD=3.3V, All Black Pattern |
| VDDns  | Allowable LCD Drive Ripple Noise | -   | -   | 100 | [mV]<br>p-p |                             |

## 8.0 Power ON/OFF Sequence

Vin and lamp power on/off sequence are as follows. The timing of interface signal are shown in the table below.



| Symbol | Values |     |     | Unit |
|--------|--------|-----|-----|------|
|        | Min    | Typ | Max |      |
| T1     | 0.5    | -   | 10  | [ms] |
| T2     | 0.5    | 25  | 50  | [ms] |
| T3     | 200    | -   | -   | [ms] |
| T4     | 200    | -   | -   | [ms] |
| T5     | 0.5    | 16  | 50  | [ms] |
| T6     | 0.5    | -   | 10  | [ms] |
| T7     | 1000   | -   | -   | [ms] |



## 9.0 Backlight Characteristics

### 9.1 Signal for Lamp connector

| Pin # | signal Name       |
|-------|-------------------|
| 1     | Lamp High Voltage |
| 2     | No connection     |
| 3     | Ground            |

### 9.2 Parameter guide line for CCFL Inverter

| Symble                        | Parameter  | Min  | Typ             | Max             | Units         | Condition  |
|-------------------------------|--|------|-----------------|-----------------|---------------|--|
| IRCFL                         | CCFL operation range                                 | 2.5  | 6.5             | 8.5             | [mA]<br>rms   | (Ta=25 )<br><b>Note 4</b>                                    |
| ICFL                          | CCFL Inrush current                                  | -    | -               | 20              | [mA]          |  |
| FCFL                          | CCFL Frequency                                       | 40   | 55              | 80              | [KHz]         | (Ta=25 )<br><b>Note 1</b>                                    |
| ViCFL<br>(25 )<br>(reference) | CCFL Ignition Voltage                                | 1100 | -               | -               | [Volt]<br>rms | (Ta=25 )<br><b>Note 3</b>                                    |
| ViCFL<br>(0 )<br>(reference)  | CCFL Ignition Voltage                                | 1450 | -               | -               | [Volt]<br>rms | (Ta=0 )<br><b>Note 3</b>                                     |
| VCFL                          | CCFL Discharge Voltage                               | -    | 645<br>(@6.5mA) | 710<br>(@2.5mA) | [Volt]<br>rms | (Ta=25 )<br><b>Note 2</b>                                    |
| PCFL                          | CCFL Power consumption<br>@ 8mA (excluding inverter) | -    | 8.5             | 11              | [Watt]        | (Ta=25 )<br><b>Note 2</b>                                    |
| Lamp life                     |  |      | 50,000          |                 | [Hrs]         | Ambient<br>temp 20<br>~35 (with<br>no wind)<br><b>Note 4</b> |

Note 1: CCFL Frequency should be carefully determined to avoid interference between inverter and TFT LCD

Note 2: Calculator value for reference ( $IRCFL \times VCFL \times 2 = PCFL$ )

Note 3: CCFL inverter should be able to give out a power that has a generating capacity of over 1450 voltage.  
Lamp units need 1450 voltage minimum for ignition

Note 4: CCFL life time 50,000hr at 6.5mA. It's defined as the brightness of A point of lamp becomes 50% of the initial brightness. It's recommended not to exceed 6.5 mA for CCFL life time concern and it's prohibited to exceed 8.5 mA for safety concern.



## 10.0 Vibration, Shock, and Drop

### 10.1 Vibration & Shock

The module shall work error free after following vibration and shock condition. Likewise the module shall not sustain any damage after vibration and shock test.

#### 10.1.1 Vibration Test Spec:

- Frequency: 10 - 200Hz
- Sweep: 30 Minutes each Axis (X, Y, Z)
- Acceleration: 1.5G(10~200Hz P- P)
- Test method:

|                          |           |
|--------------------------|-----------|
| <b>Acceleration (G)</b>  | 1.5       |
| <b>Frequency (Hz)</b>    | 10~200~10 |
| <b>Active time (min)</b> | 30        |

#### 10.1.2 Shock Test Spec:

|                         |          |
|-------------------------|----------|
| <b>Acceleration (G)</b> | 50       |
| <b>Active time(ms)</b>  | 20       |
| <b>Wave form</b>        | Half-sin |
| <b>Times</b>            | 1        |

- Direction:  $\pm X$  ,  $\pm Y$  ,  $\pm Z$

### 10.2 Drop

Package test: The drop height is defined as 60 cm.

(1 corner, 3 edges, 6 flat faces)  
-- No damage and defect found for panel.



## 11.0 Environment

The display module will meet the provision of this specification during operating condition or after storage or shipment condition specified below. Operation at 10% beyond the specified range will not cause physical damage to the unit.

### 11.1 Temperature and Humidity

#### 11.1.1 Operating Conditions

The display module operates error free, when operated under the following conditions;

|                      |               |
|----------------------|---------------|
| Temperature          | 0 °C to 50 °C |
| Relative Humidity    | 20% to 85%    |
| Wet Bulb Temperature | 39.0 °C       |

#### 11.1.2 Shipping Conditions

The display module operates error free, after the following conditions;

|                      |                 |
|----------------------|-----------------|
| Temperature          | -20 °C to 60 °C |
| Relative Humidity    | 5% to 95%       |
| Wet Bulb Temperature | 39.0 °C         |

### 11.2 Atmospheric Pressure

The display assembly is capable of being operated without affecting its operations over the pressure range as following specified:

|                  | Pressure | Altitude             |
|------------------|----------|----------------------|
| Maximum Pressure | 1040 hPa | 0 m = sea level      |
| Minimum Pressure | 601 hPa  | 3658 m = 12,000 feet |

Note: Non-operation altitude limit of this display module = 40,000 feet. = 12193 m.

### 11.3 Thermal Shock

The display module will not sustain damage after being subjected to 100 cycles of rapid temperature change. A cycle of rapid temperature change consists of varying the temperature from -20°C to 60°C, and back again.

|                            |                                     |
|----------------------------|-------------------------------------|
| <b>Thermal shock cycle</b> | -20 °C for 30min<br>60 °C for 30min |
|----------------------------|-------------------------------------|

Power is not applied during the test. After temperature cycling, the unit is placed in normal room ambient for at least 4 hours before powering on.



## 12.0 Reliability

This display module and the packaging of that will comply following standards.

### 12.1 Failure Criteria

The display assembly will be considered as failing unit when it no longer meets any of the requirements stated in this specification. Only as for maximum white luminance, following criteria is applicable.

Note: Maximum white Luminance shall be 75 cd/m<sup>2</sup> or more.

### 12.2 Failure Rate

The average failure rate of the display module (from first power-on cycle till 1,000 hours later) will not exceed 1.0%. The average failure rate of the display module from 1,000 hours until 10,000 hours will not exceed 0.70% per 1000 hours.

#### 12.2.1 Usage

The assumed usage for the above criteria is:

- 220 power-on hours per month
- 500 power on/off cycles per month
- Maximum brightness setting
- Operation to be within office environment (25<sup>0</sup>C typical)

#### 12.2.2 Component De-rating

All the components used in this device will be checked the load condition to meet the failure rate criteria.

### 12.3 CCFL Life

The assumed CCFL Life will be typically 50,000 hours under stable condition at 25±5 °C;

Standard current at 6.5 ± 0.5 mA

Definition of life: brightness becomes 50% or less than the minimum luminance value of CCFL.

### 12.4 ON/OFF Cycle

The display module will be capable of being operated over the following ON/OFF Cycles.

| ON/OFF              | Value  | Cycle                          |
|---------------------|--------|--------------------------------|
| +VDD and CCFL power | 36,000 | 10 seconds on / 10 seconds off |





## 13.0 Safety

### 13.1 Sharp Edge Requirements

There will be no sharp edges or corners on the display assembly that could cause injury.

### 13.2 Materials

#### 13.2.1 Toxicity

There will be no carcinogenic materials used anywhere in the display module. If toxic materials are used, they will be reviewed and approved by the responsible AUO Toxicologist.

#### 13.2.2 Flammability

All components including electrical components that do not meet the flammability grade UL94-V1 in the module will complete the flammability rating exception approval process. The printed circuit board will be made from material rated 94-V1 or better. The actual UL flammability rating will be printed on the printed circuit board.

## 14.0 Other requirements

### 14.1 Smoke Free Design

Any smoke nor strange smell shall not be observed by the operator at any single failure.

### 14.2 National Test Lab Requirement

The display module will satisfy all requirements for compliance to the following requirement:

|                               |   |
|-------------------------------|---|
| <b>UL 1950, First Edition</b> | U.S.A. Information Technology Equipment                                       |
| <b>CSA C22.2 No.950-M89</b>   | Canada, Information Technology Equipment                                      |
| <b>IEC 950</b>                | International, Information Technology Equipment                               |
| <b>EN 60 950</b>              | International, Information Processing Equipment<br>(European Norm for IEC950) |

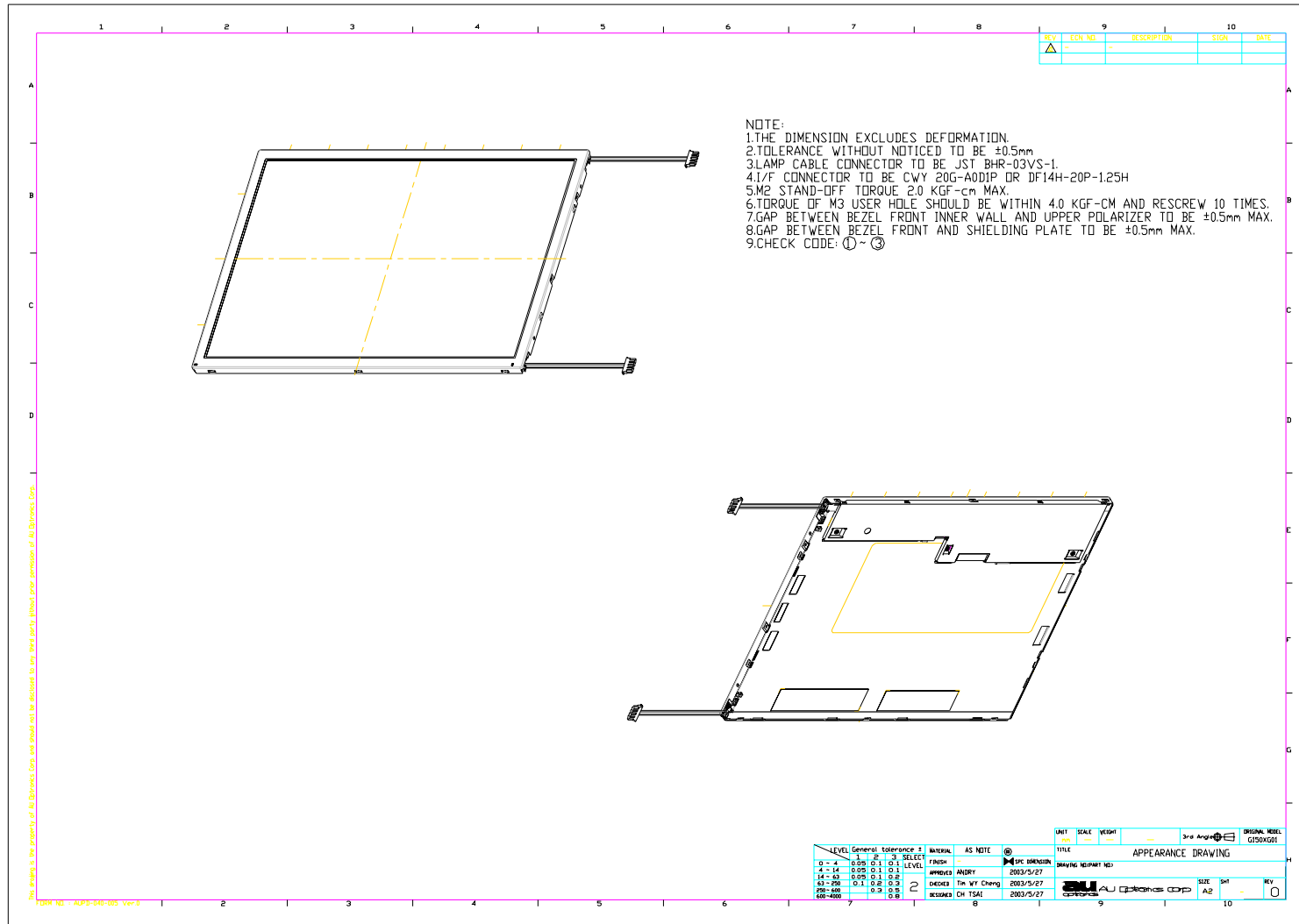
The construction of the display module is designed to suppress EMI. When mounted into a specified host system, the system will meet the following EMI requirement:

**FCC Part 15 Class B**  
**VCCI Class 2**  
**CISPR 22, class B**  
**Taiwan CNS standard**  
**China CCIB standard**

## 15.0 Label



# 16.0 Mechanical Characteristics



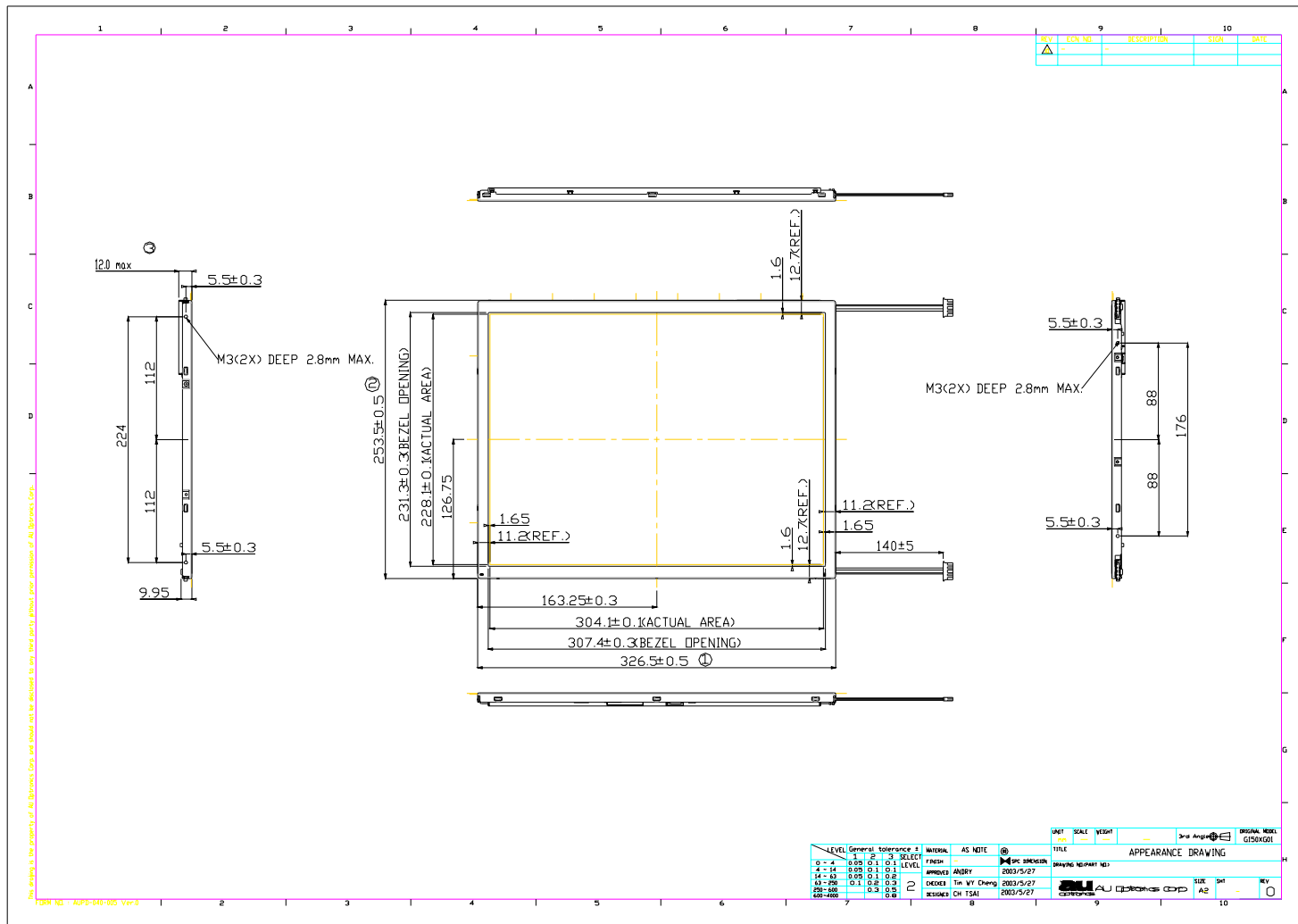
(C) Copyright AU Optronics, Inc.

2004 All Rights Reserved.

No Reproduction and Redistribution Allowed

G150XG01 V.0

26/28



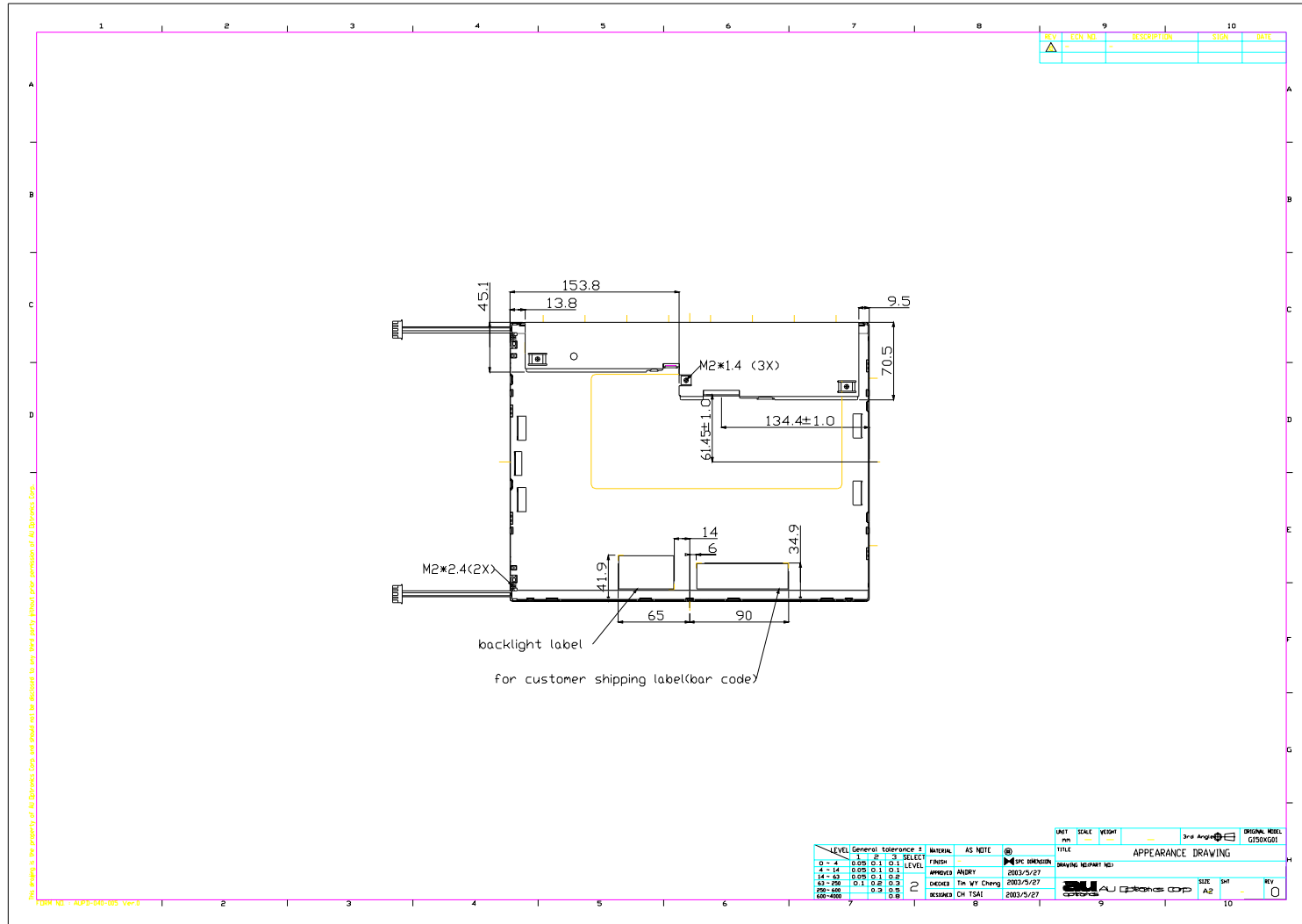
(C) Copyright AU Optronics, Inc.

2004 All Rights Reserved.

No Reproduction and Redistribution Allowed

G150XG01 V.0

27/28



(C) Copyright AU Optronics, Inc.

2004 All Rights Reserved.

No Reproduction and Redistribution Allowed

G150XG01 V.0

28/28