

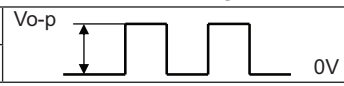
MODEL: CMT-1285C-015 | **DESCRIPTION:** MAGNETIC BUZZER TRANSDUCER

FEATURES

- externally driven
- wave solderable
- 91 dB SPL



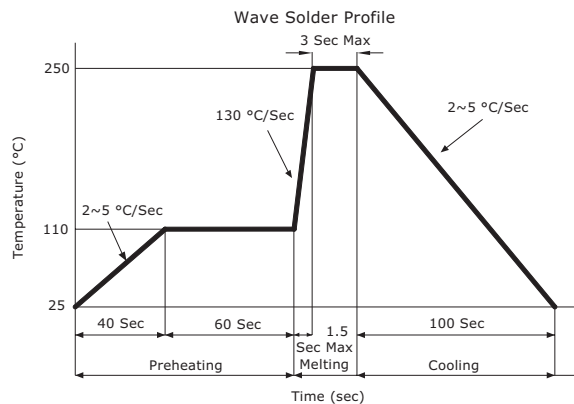
SPECIFICATIONS

parameter	conditions/description	min	typ	max	units
rated voltage			1.5		Vo-p
operating voltage	0V	1.0		2.0	Vo-p
current consumption	at rated voltage, 2,048 Hz square wave, 1/2 duty			35	mA
rated frequency			2,048		Hz
sound pressure level	at 10 cm (A-weight), rated voltage, 2,048 Hz square wave, 1/2 duty	85	91		dB(A)
coil resistance		13.6	16.0	18.4	Ω
dimensions	Ø12.0 x 8.5				mm
weight			1.4		g
material	PPO				
terminal	pin type (Au plating)				
operating temperature		-20		60	°C
storage temperature		-30		70	°C
RoHS	2011/65/EU				

Notes: 1. All specifications measured at 5~35°C, humidity at 45~85%, under 86~106 kPa pressure, unless otherwise noted.

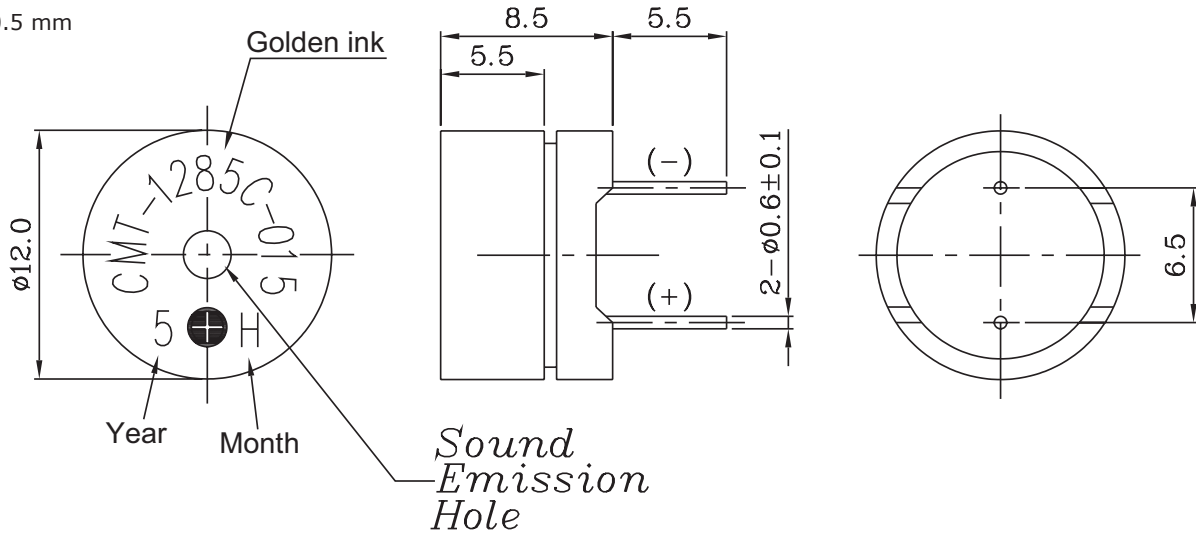
SOLDERABILITY

parameter	conditions/description	min	typ	max	units
wave soldering	see recommended wave soldering profile			250	°C

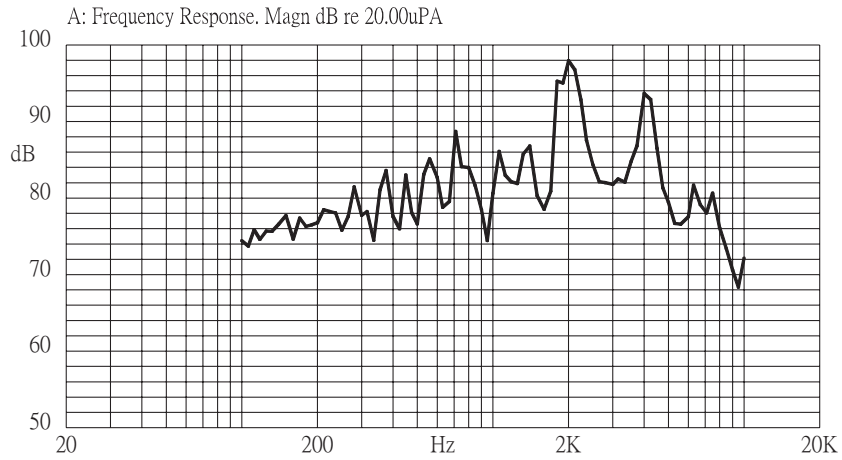


MECHANICAL DRAWING

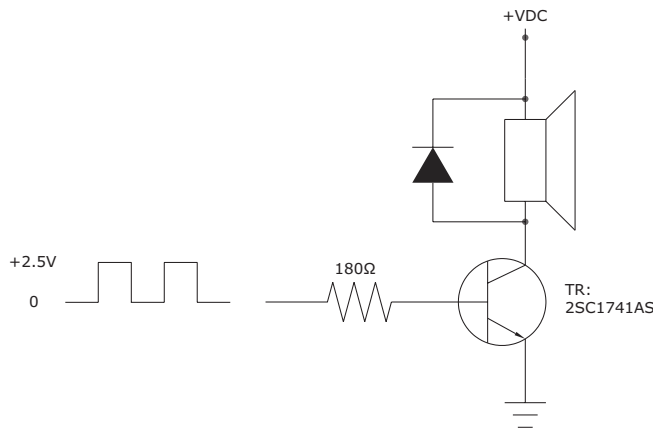
units: mm
tolerance: ± 0.5 mm



FREQUENCY RESPONSE CURVE



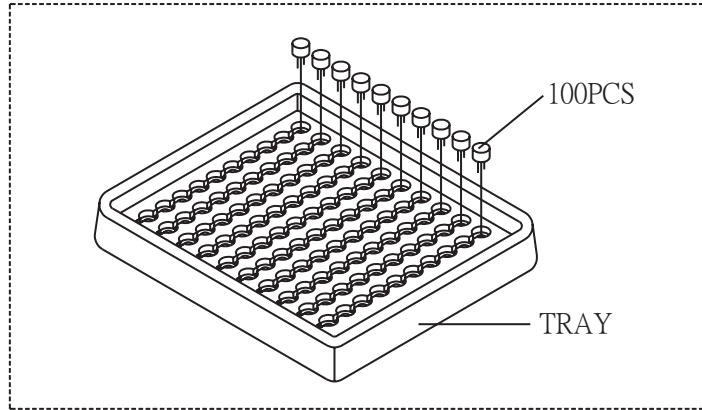
MEASUREMENT METHOD




PACKAGING

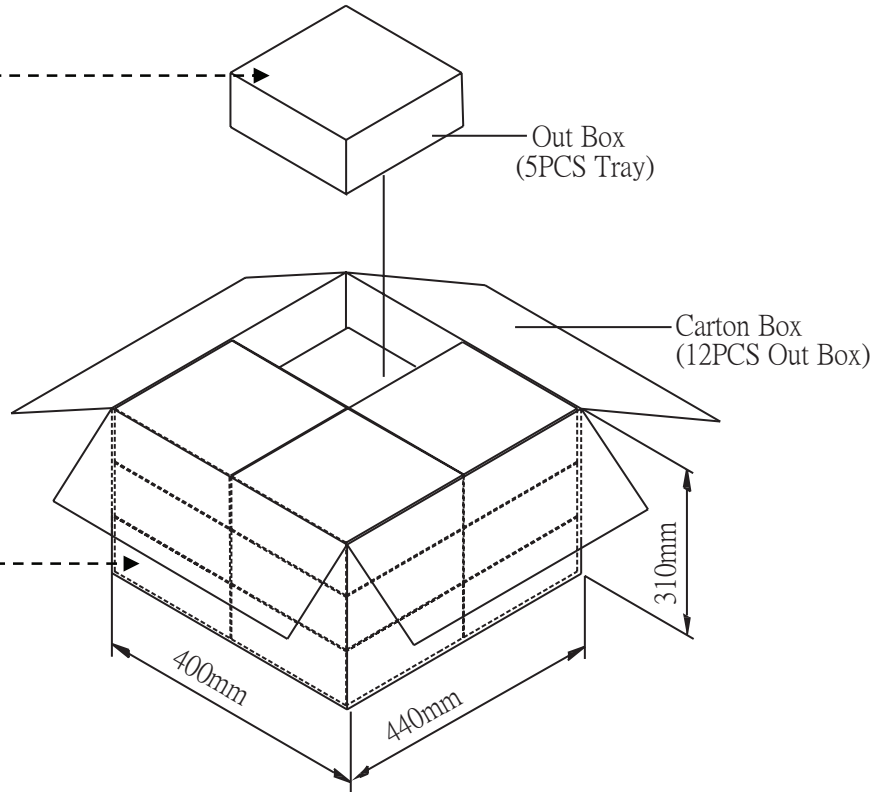
units: mm

Tray Size: 184 x 180 x 23 mm
 Carton Size: 440 x 400 x 310 mm
 Tray QTY: 100 pcs per tray
 Carton QTY: 6,000 pcs per carton



Lot No.	XXXXXXXXXX
Model No.	XXXXXXXXXX
Quantity.	XXXX Pcs
Date:	
DD MM YY	
MADE IN CHINA	
CUI Inc	

The label is placed on the inner boxes and outer carton.



REVISION HISTORY

rev.	description	date
1.0	initial release	03/31/2016

The revision history provided is for informational purposes only and is believed to be accurate.



Headquarters
20050 SW 112th Ave.
Tualatin, OR 97062
800.275.4899

Fax 503.612.2383
cui.com
techsupport@cui.com

CUI offers a one (1) year limited warranty. Complete warranty information is listed on our website.

CUI reserves the right to make changes to the product at any time without notice. Information provided by CUI is believed to be accurate and reliable. However, no responsibility is assumed by CUI for its use, nor for any infringements of patents or other rights of third parties which may result from its use.

CUI products are not authorized or warranted for use as critical components in equipment that requires an extremely high level of reliability. A critical component is any component of a life support device or system whose failure to perform can be reasonably expected to cause the failure of the life support device or system, or to affect its safety or effectiveness.