

EM3553 Series
EuroMag Terminal Blocks
 (Mates with EM3593 Series);
 3.81 Centers

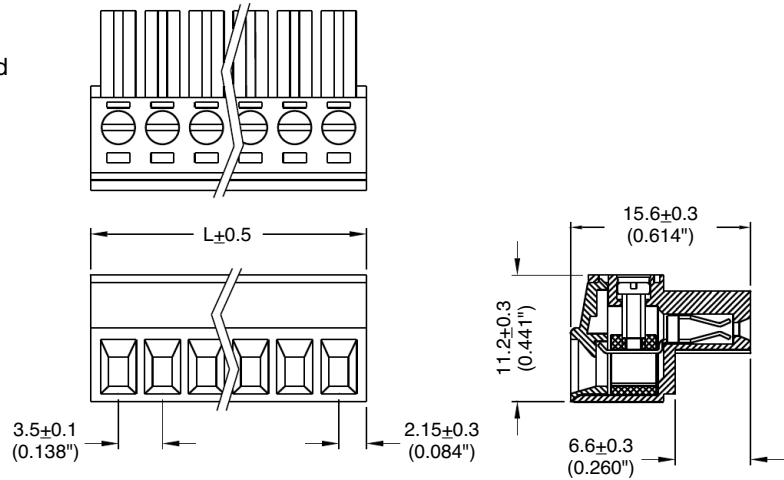
SPECIFICATIONS

- Rating:** 10A, 300V
- Center Spacing:** 0.15" (3.81mm)
- Consult factory for 0.30" (7.62mm)
- Wire Range:** #16-26 AWG
- Housing Material:** UL rated 94V0 Thermoplastic
- Contact Material:** Brass Tin-Plated
- Screw Size:** M2.0 Zinc-Plated Steel
- Operating Temperature:** 105°C (221°F) max., -40°C (-40°F) min.
- Torque Rating:** 3.0 lb-in.
- Construction:** Mold-to-Length
- Agency Information:** File E62622; CE Certified



EM355308

Dimensions - mm (in)



| Position | L (mm) |
|----------|--------|
| 02 | 7.90 |
| 03 | 11.71 |
| 04 | 15.52 |
| 05 | 19.33 |
| 06 | 23.14 |
| 07 | 26.95 |
| 08 | 30.76 |
| 09 | 34.57 |
| 10 | 38.38 |
| 11 | 42.19 |
| 12 | 46.00 |

To convert to inches, divide by 25.4

Part Numbering System

Series # of Positions

EM3553 □□

02 to 12

Mating Header: EM3593 pg. 81

Terminal Blocks: Single Row
EuroMag Series Plug & Header
Edge Connectors, One-Sided Boards
Compliance References