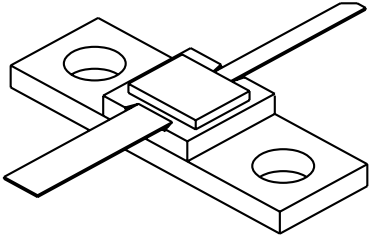


---

# 1417-6A

6 Watts, 28 Volts, Class C  
Microwave 1400 - 1700 MHz

---

<p><b>GENERAL DESCRIPTION</b></p> <p>The 1417-6A is an internally matched, COMMON BASE transistor capable of providing 6 watts of CW RF Output power across the 1400-1700 MHz band. This transistor is specifically designed for telemetry and telecommunications applications. It utilizes gold metalization and diffused ballasting to provide high reliability and superior ruggedness.</p>	<p><b>CASE OUTLINE</b> <b>55LV, STYLE 1</b></p> 													
<p><b>ABSOLUTE MAXIMUM RATINGS</b></p> <p>Maximum Power Dissipation @ 25°C <span style="float: right;">19 Watts</span></p> <p><b>Maximum Voltage and Current</b></p> <table style="width: 100%; border: none;"> <tr> <td style="width: 15%;">BVces</td> <td style="width: 45%;">Collector to Emitter Voltage</td> <td style="width: 40%; text-align: right;">50 Volts</td> </tr> <tr> <td>BVebo</td> <td>Emitter to Base Voltage</td> <td style="text-align: right;">3.5 Volts</td> </tr> <tr> <td>Ic</td> <td>Collector Current</td> <td style="text-align: right;">1.0 Amps</td> </tr> </table> <p><b>Maximum Temperatures</b></p> <table style="width: 100%; border: none;"> <tr> <td style="width: 45%;">Storage Temperature</td> <td style="text-align: right;">- 65 to + 200°C</td> </tr> <tr> <td>Operating Junction Temperature</td> <td style="text-align: right;">+ 200°C</td> </tr> </table>	BVces	Collector to Emitter Voltage	50 Volts	BVebo	Emitter to Base Voltage	3.5 Volts	Ic	Collector Current	1.0 Amps	Storage Temperature	- 65 to + 200°C	Operating Junction Temperature	+ 200°C	
BVces	Collector to Emitter Voltage	50 Volts												
BVebo	Emitter to Base Voltage	3.5 Volts												
Ic	Collector Current	1.0 Amps												
Storage Temperature	- 65 to + 200°C													
Operating Junction Temperature	+ 200°C													

## ELECTRICAL CHARACTERISTICS @ 25 °C

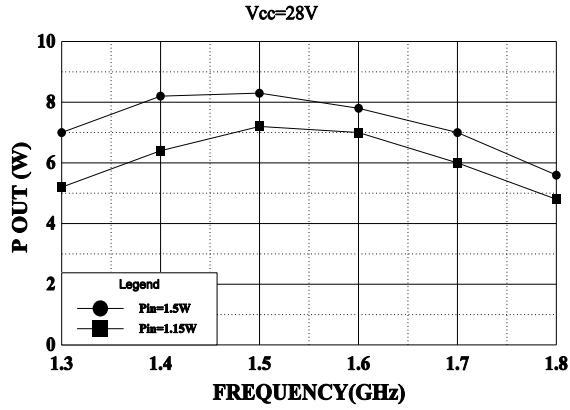
SYMBOL	CHARACTERISTICS	TEST CONDITIONS	MIN	TYP	MAX	UNITS
<b>Pout</b>	Power Output	F = 1.4 - 1.7 GHz Vcc = 28 Volts	6.0			Watt
<b>Pin</b>	Power Input				1.14	
<b>Pg</b>	Power Gain		7.2	7.5		dB
$\eta_c$	Collector Efficiency			40		
<b>VSWR1</b>	Load Mismatch Tolerance				10:1	

<b>BVebo</b>	Emitter to Base Breakdown	Ie = 3.0 mA	3.5			Volts
<b>BVces</b>	Collector to Emitter Breakdown	Ic = 25mA	55			Volts
<b>Icbo</b>	Collector Leakage Current	Vcb = 28 V		1.0		mA
<b>Cob</b>	Output Capacitance	Vcb= 28V, F=1 MHz		6.5		pF
<b>Hfe</b>	DC - Current Gain	Ic = 100 mA, Vce = 5V	20		100	
$\theta_{jc}$	Thermal Resistance	TC = 25°C			9.0	°C/W

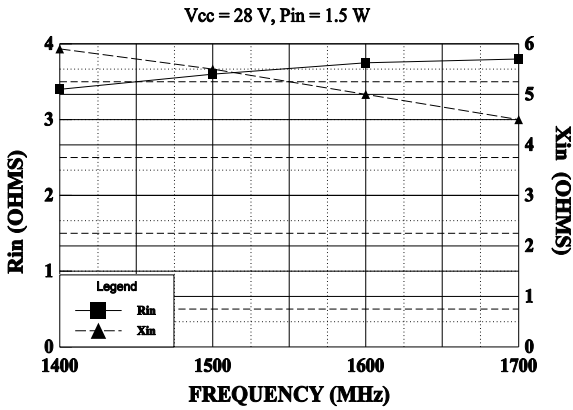
Initial Issue June, 1994

GHz TECHNOLOGY INC. RESERVES THE RIGHT TO MAKE CHANGES WITHOUT FURTHER NOTICE. GHz RECOMMENDS THAT BEFORE THE PRODUCT(S) DESCRIBED HEREIN ARE WRITTEN INTO SPECIFICATIONS, OR USED IN CRITICAL APPLICATIONS, THAT THE PERFORMANCE CHARACTERISTICS BE VERIFIED BY CONTACTING THE FACTORY.

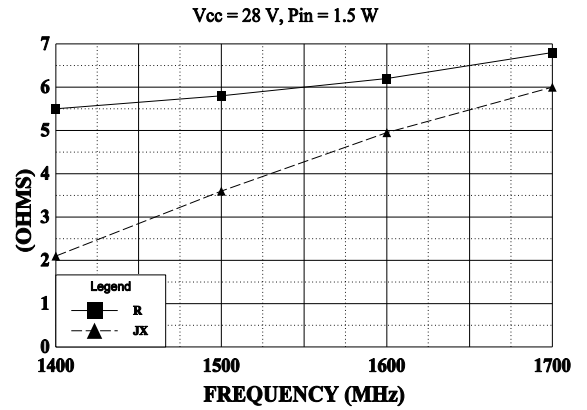
**POWER OUTPUT VS FREQUENCY**



**INPUT IMPEDANCE**



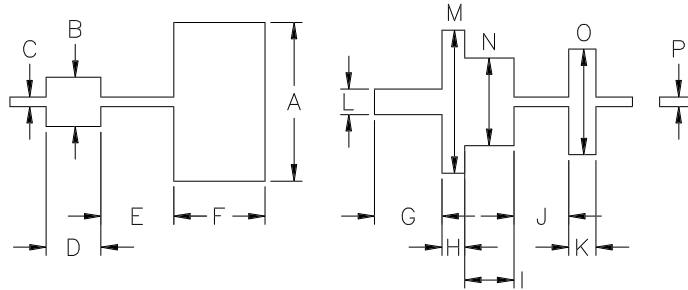
**LOAD IMPEDANCE**



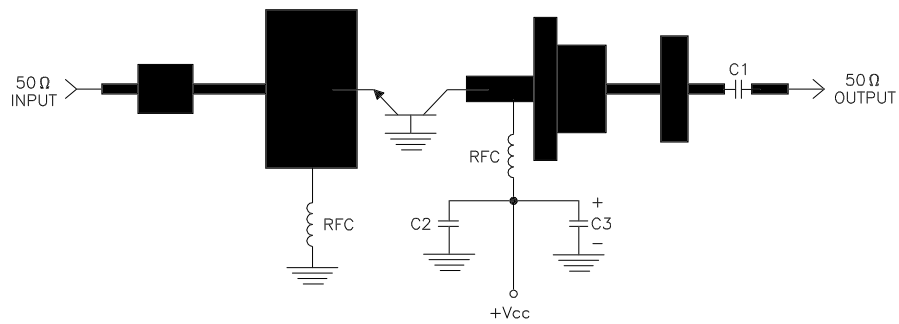
REVISIONS

ZONE	REV	DESCRIPTION	DATE	APPROVED
------	-----	-------------	------	----------

DIM	INCHES
A	.870
B	.270
C	.053
D	.300
E	.400
F	.500
G	.370
H	.125
I	.270
J	.300
K	.150
L	.140
M	.785
N	.480
O	.580
P	.053



1417-6A TEST CIRCUIT



DIELECTRIC = 19.4 MIL THICK  
 TFE, Er=2.43  
 C1, C2 = 62pF CHIP ATC "A"  
 C3 = 10MFD @ 35V  
 RFC = 4 turns #22 wire 1/16" I.D.



CAGE OPJR2	DWG NO. 1417-6A	REV A
	SCALE 1/1	SHEET