

GOA9xx14

THREE PHASE AC-SWITCH

Fuse protection
Temperature sensors
Snubber for SCR's protections

LINE VOLTAGE UP TO **500 V**
RMS OUTPUT CURRENT **1400 A**

	GOA95014	GOA94014
Line to line voltage	500 V	400 V

Characteristic		Conditions	Value
I _{RMS}	R.M.S. output current	Cooling fans: 3 x W2S130-AA03 01 (EBM) @ Ta=40°C	1400 A
V _{INS (rms)}	Insulation voltage		3000 V

THYRISTOR TRIGGERING CHARACTERISTICS

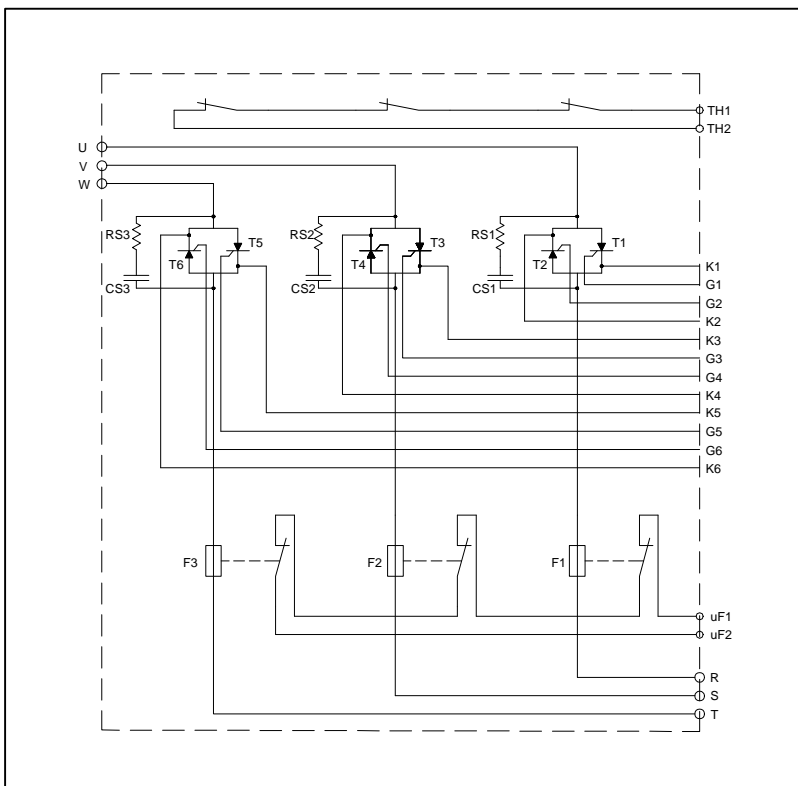
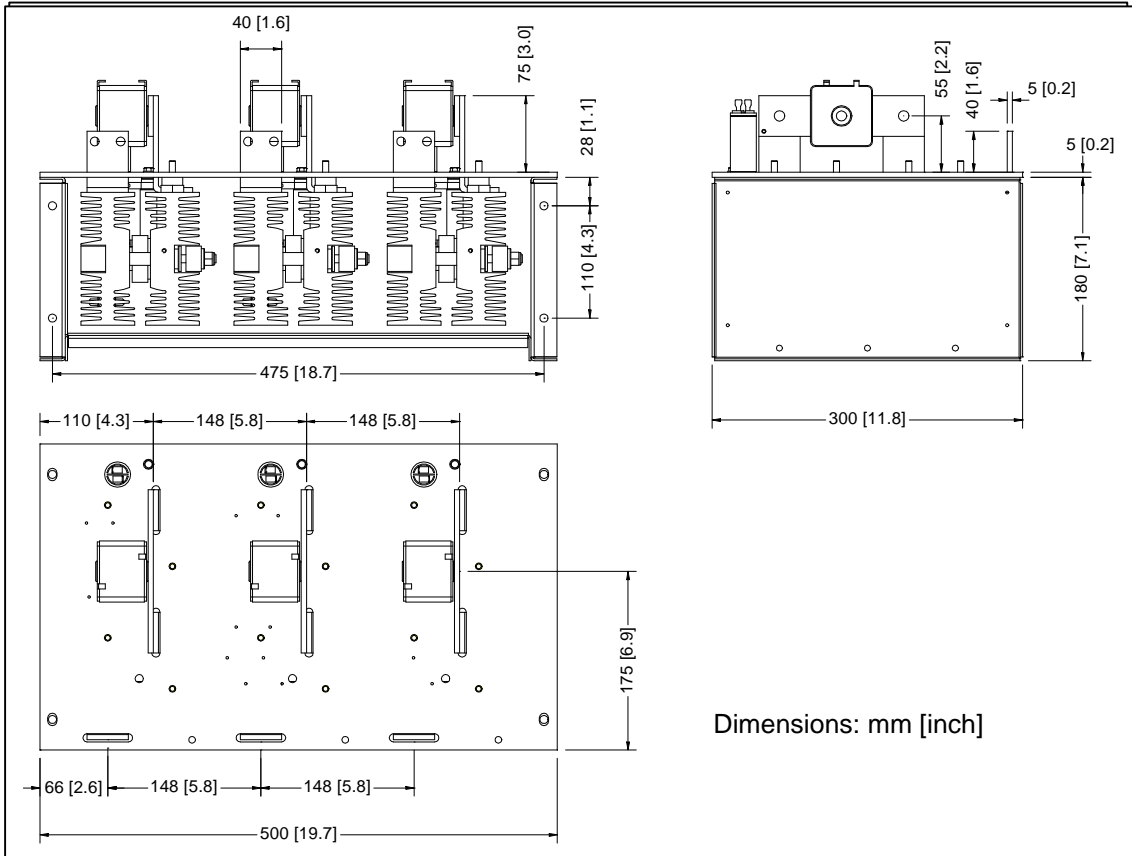
V _{GT}	Gate trigger voltage	T _j = 25 °C, V _D = 5 V	3 V
I _{GT}	Gate trigger current	T _j = 25 °C, V _D = 5 V	300 mA

FUSE TYPE SIBA 2068132.1250

V _{NF}	Rated voltage		690 V
I _{NF}	Rated current		1250 A
P _{VF}	Power loss	At rated current	136 W
I ² t		At 660V	1750 kA ² s

MECHANICAL AND THERMAL CHARACTERISTICS

	Width		500 mm
	Depth		480 mm
	Height		320 mm
	Mass		60 kg
T _{a max}	Max ambient operating temperature		40 °C
T _{stg}	Storage temperature		-40 / 60 °C



In the interest of product improvement Green Power Semiconductors reserves the right to change any specification given in this data sheet without notice.