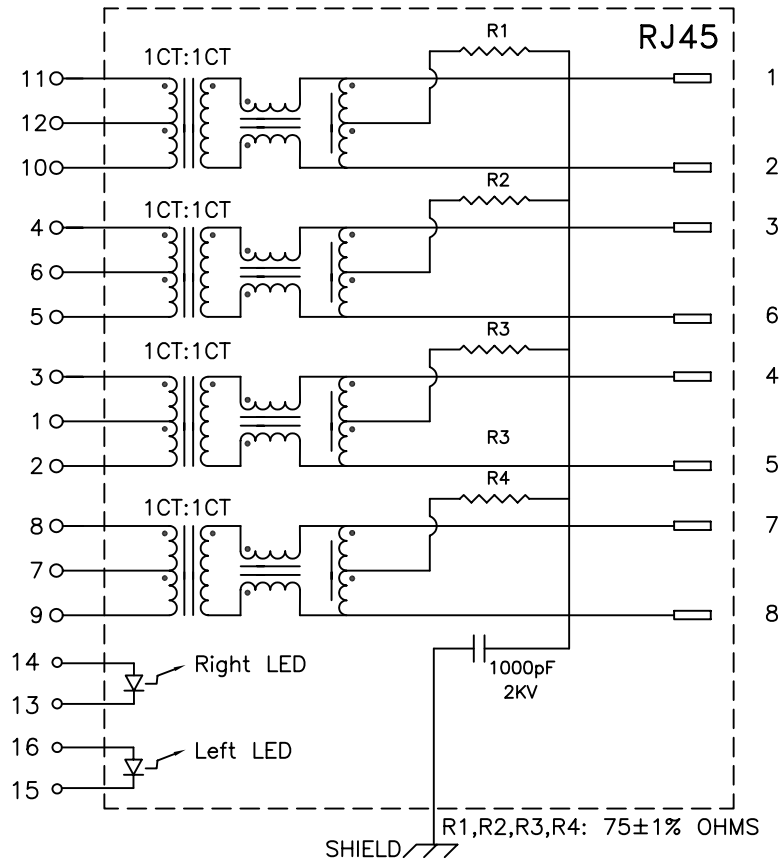


Schematic:



Electrical Specifications: @25°C

Isolation Voltage: 1500 Vrms @60Hz 1MIN

Common to Differential Mode Rejection: @300KHz-100MHz -35dB Min

Common to Common Mode Rejection: @300KHz-100MHz -30dB Min

Crosstalk: $-33+20\log(f/100\text{MHz})$ (1-100MHz -73dB -33dB Min)

Insertion Loss @0.3-100MHz -1.0dB Typ

@100MHz-125MHz -1.5dB Max

Return Loss: @0.5MHz-40MHz -18dB Min

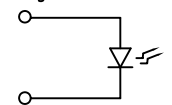
@40MHz-100MHz $-12+20\log(f/80\text{MHz})$ Min

Complete the Combo P/N as follows:

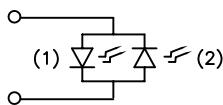
Replace 'x' & 'u' in the part number with one of the LED color letters:

Y=Yellow
G=Green
A=Amber
R=Red
C=Green(1)/Amber(2) Bicolor
D=Amber(1)/Green(2) Bicolor
M=Green(1)/Yellow(2) Bicolor
N=Yellow(1)/Green(2) Bicolor
P=Red(1)/Green(2) Bicolor
Q=Green(1)/Red(2) Bicolor

Single Color LED:



Bi-Color LED:



Notes:

1. Solderability: Leads shall meet MIL-STD-202G, Method 208H for solderability.
2. Flammability: UL94V-0
3. ASTM oxygen index: > 28%
4. Insulation System: Class F 155°C. UL file E151556
5. Operating Temperature Range: All listed parameters are to be within tolerance from -40°C to +85°C
6. Storage Temperature Range: -55°C to +125°C
7. Aqueous wash compatible
8. Electrical and mechanical specifications 100% tested
9. RoHS Compliant Component

DOC REV: A/1

XFMRs Inc.
www.XFMRs.com

Title: **Low Profile Gigabit COMBO**

UNLESS OTHERWISE SPECIFIED
TOLERANCES:
.xxx ±0.010

P/N: XFGIG12-CTLxu1-2

REV. A

Dimensions in Inch

DWN.

Juan Mao

Feb-09-09

SHEET 1 OF 2

CHK.

YK Liao

Feb-09-09

APP.

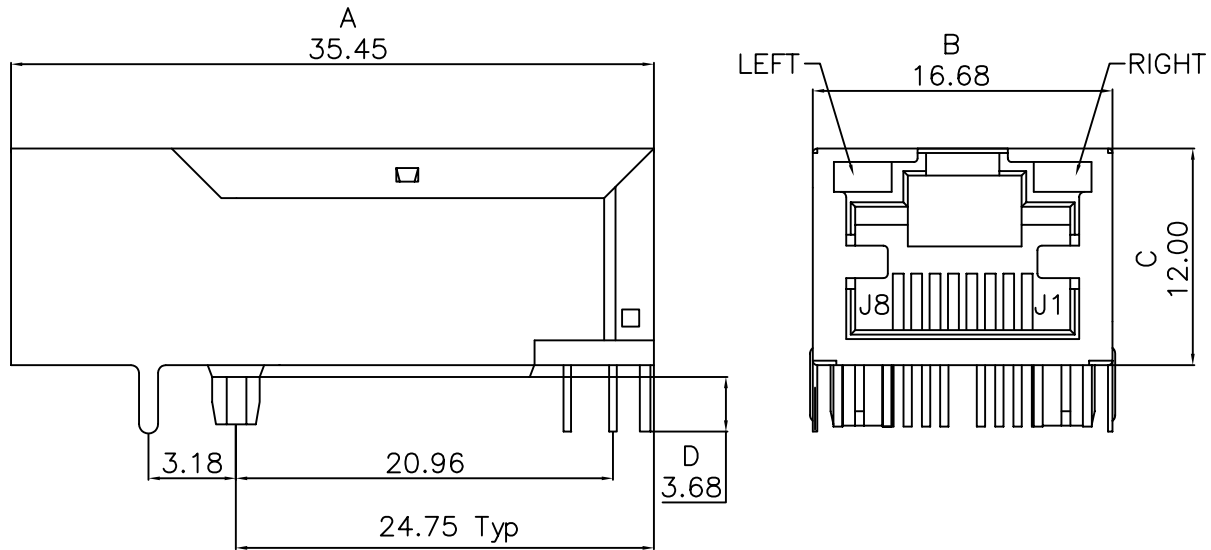
BW

Feb-09-09

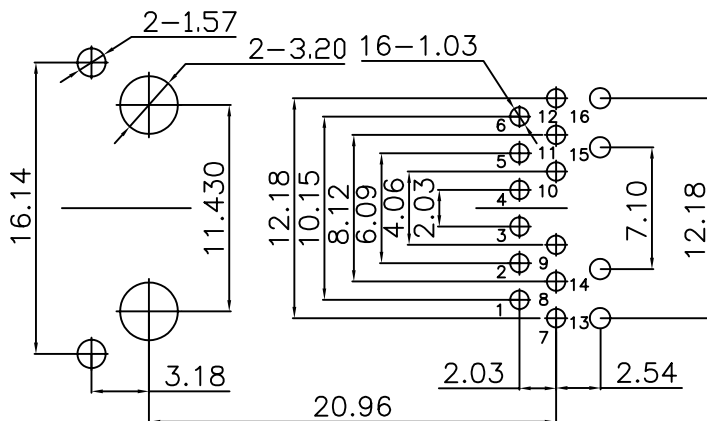
PROPRIETARY:

Document is the property of XFMRs Group & is not allowed to be duplicated without authorization.

Mechanical Dimensions:



Mounting Pattern:



DOC REV: A/1

XFMRS Inc.
www.XFMRS.com

Title: Mechanical Dimensions
For TAB UP RJ45 COMBO

UNLESS OTHERWISE SPECIFIED
TOLERANCES:
.xx ±0.25
Dimensions in MM

P/N: XFGIG12-CTLxu1-2

REV. A

DWN.

Juan Mao

Feb-09-09

CHK.

YK Liao

Feb-09-09

APP.

BW

Feb-09-09

PROPRIETARY:

Document is the property of XFMRS Group & is not allowed to be duplicated without authorization.

SHEET 2 OF 2