

PCM-24S33G

Wide-Temp 3.75G HSPA and GPS, 2-in-1,
Full-size mPCIe, 2-port SMA

NEW



Features

- Meets Advantech Standard iDoor Technology
- PCI Express® Mini Card Specification Revision 1.2 compliant
- 6-bands, 800/850/900/1700/1900/2100 MHz for UMTS/HSPA network
- 850/900/1800/1900 MHz for EDGE/GPRS/GSM network
- With hardware standalone GPS, u-blox MAX-6
- With SIM card holder
- HSDPA 7.2 Mbps, HSUPA 5.76 Mbps
- Operating temperature: -40 ~ 85°C (-40 ~ 185°F)
- Supports 32/64-bit Windows XP/Vista/7/8/8.1, Windows CE5.0/CE6.0, Linux 2.4/2.6, Mac
- Supports Embedded Automation PC UNO-2200/2300/2400 series
- Supports Control DIN-Rail PC UNO-1200/1300/1400 series
- Supports Control Cabinet PC UNO-3200/3300/3400 series
- Supports Control Panel Computers TPC-xx81/xx82 series
- Supports Thin Client Panel Computers TPC-xx51 series

Introduction

The PCM-24 series are categorized as communication modules from Advantech iDoor Technology. They are all compatible with the PCI Express® Mini Card Specification Revision 1.2, including Isolated / Non-Isolated RS-232/422/485 communication cards for automation control, Wi-Fi/3G/GPS/GSM/LTE wireless communication models for data exchange during the management and machine level of automation application, Zigbee module as an IoT terminal or controller and PoE function for smart camera in detect inspection application of production. This is a flexible design that enables customers to customize their features which meet iDoor Technology.

Specifications

General

- Bus Type** PCI Express Mini Card Revision 1.2
- Certification** CE, FCC class A
- Dimensions** Module: 51 x 30 x 12.4 mm (2" x 1.18" x 0.49")
I/O Plate: 81 x 19.4 x 41 mm (3.19" x 0.76" x 1.61")
- Power Consumption** 3.3~3.6 V, <700 mA (HSPA connected mode)
- Antenna** 824~960 MHz, 1710~2170 MHz dipole antenna, 109 mm
GPS antenna 1575MHz, cubic antenna 45 x 35 x 14 mm, wire length 5000mm
- Cable** Coaxial GSM/ GPS cable, 250 mm

Communications

- Frequency Band** UMTS/HSPA: 800/850/900/1700/1900/2100 MHz
EDGE/GPRS/GSM: 850/900/1800/1900 MHz
- Data throughput** Downlink: 7.2 Mbps
Uplink: 5.76 Mbps

Software

- OS Support** Microsoft® Windows® XP/Vista/7/8/8.1, Microsoft® Windows® CE5.0/6.0, Linux 2.4/2.6, Mac

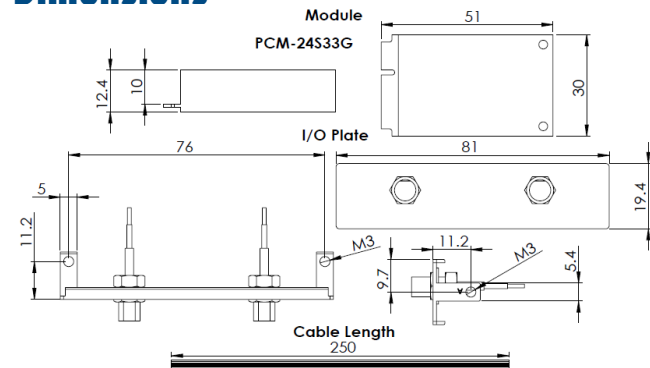
Environment

- Humidity (Operating)** 5~95% RH, non-condensing
- Operating Temperature** -40 ~ 85°C (-40 ~ 185°F)

Regulation

PCM-24S33G-AE employs u-blox LISA-U200/Max-6 as main chipset and corresponds to its regulation.

Dimensions



Ordering Information

- PCM-24S33G-AE** Wide-Temp 3.75G HSPA and GPS, 2-in-1, Full-size mPCIe w/ dual SIM Card holder, Antenna, cable
- PCM-24S300-AE** Accessory kit for 3G/GPS solution, dual-SIM card holder w/ switch, antenna, cables

User scenario

- PCM-24S300:** Dual-SIM card holder with switch for redundancy

