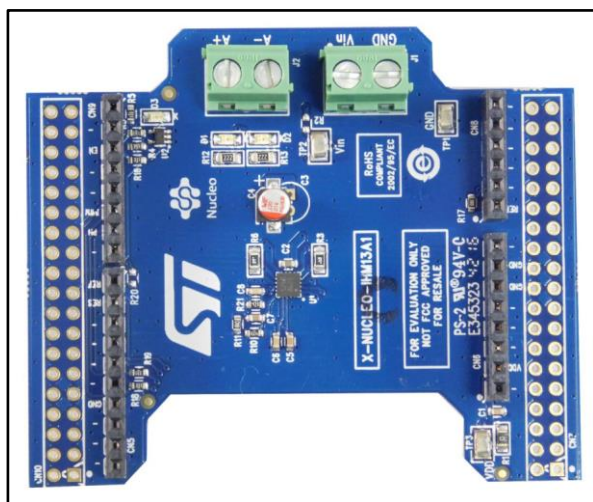


Low voltage brush DC motor driver expansion board for STM32 Nucleo based on the STSPIN250

Data brief



Description

The X-NUCLEO-IHM13A1 expansion board for STM32 Nucleo is based on the STSPIN250 low voltage brush DC motor driver.

It provides an affordable and easy-to-use solution for the implementation of portable motor driving applications such as thermal printers, robotics and toys.

The X-NUCLEO-IHM13A1 is compatible with the Arduino UNO R3 connector and most STM32 Nucleo boards.

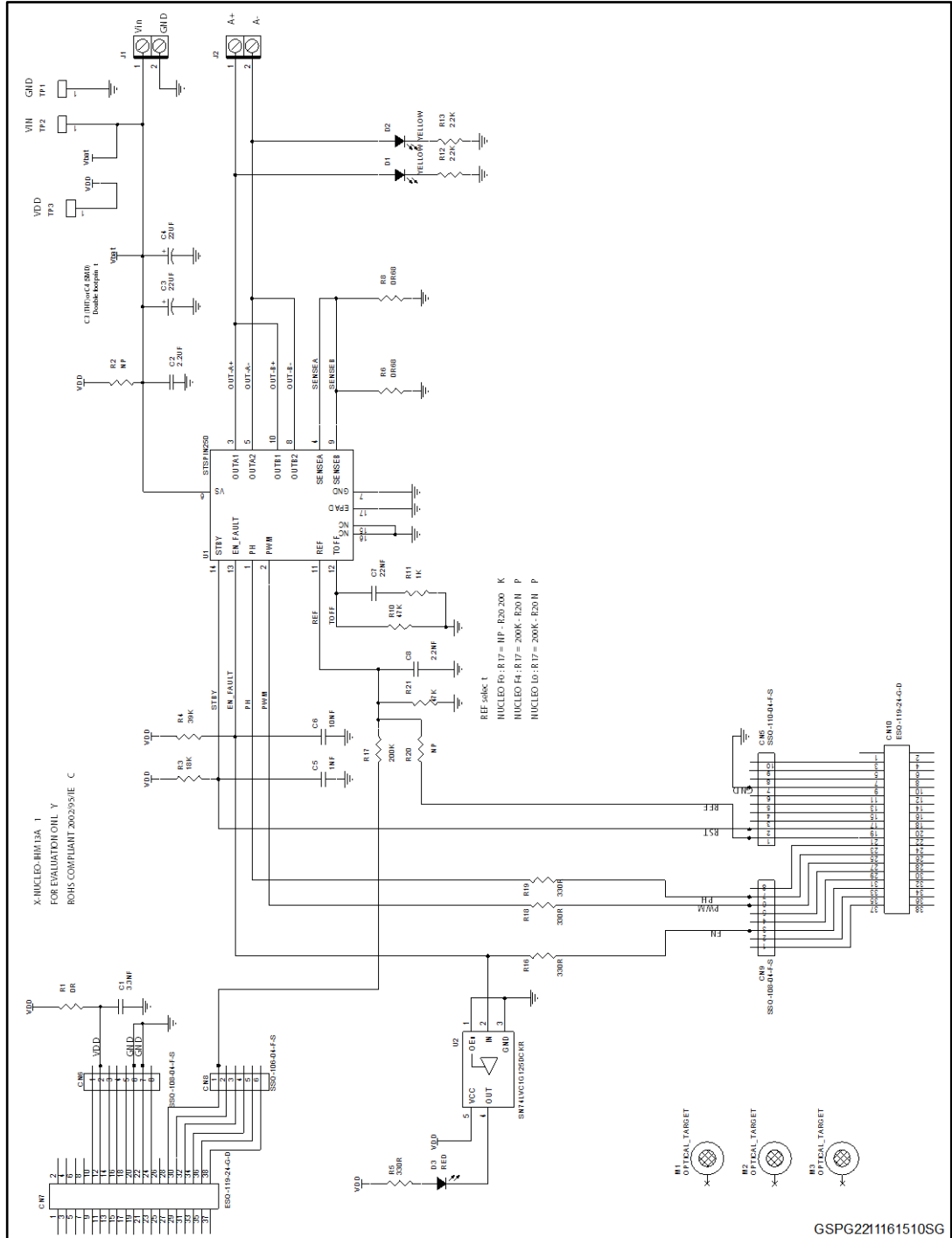
Features

- Low voltage range from 1.8 V to 10 V
- Current up to 2.6 A r.m.s.
- Current control with adjustable off-time
- Full overcurrent and short circuit protection
- Thermal shutdown
- Compatible with Arduino UNO R3 connector
- Compatible with STM32 Nucleo boards
- RoHS compliant



1 Schematic diagram

Figure 1: X-NUCLEO-IHM13A1 circuit schematic



2 Revision history

Table 1: Document revision history

Date	Version	Changes
05-Dec-2016	1	Initial release.

IMPORTANT NOTICE – PLEASE READ CAREFULLY

STMicroelectronics NV and its subsidiaries ("ST") reserve the right to make changes, corrections, enhancements, modifications, and improvements to ST products and/or to this document at any time without notice. Purchasers should obtain the latest relevant information on ST products before placing orders. ST products are sold pursuant to ST's terms and conditions of sale in place at the time of order acknowledgement.

Purchasers are solely responsible for the choice, selection, and use of ST products and ST assumes no liability for application assistance or the design of Purchasers' products.

No license, express or implied, to any intellectual property right is granted by ST herein.

Resale of ST products with provisions different from the information set forth herein shall void any warranty granted by ST for such product.

ST and the ST logo are trademarks of ST. All other product or service names are the property of their respective owners.

Information in this document supersedes and replaces information previously supplied in any prior versions of this document.

© 2016 STMicroelectronics – All rights reserved