



SAW Components

SAW Duplexer

LTE Band II (PCS)

Series/type:	B8663
Ordering code:	B39202-B8663-P810
Date:	November 18, 2014
Version:	2.1

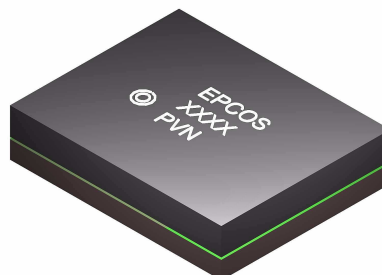
© EPCOS AG 2015. Reproduction, publication and dissemination of this publication, enclosures hereto and the information contained therein without EPCOS' prior express consent is prohibited.

EPCOS AG is a TDK Group Company.

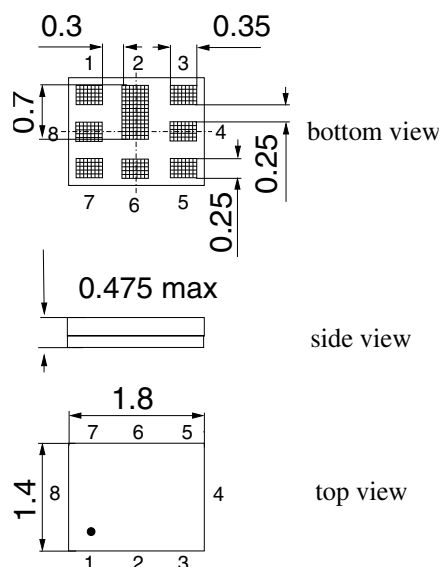
Data sheet

Application

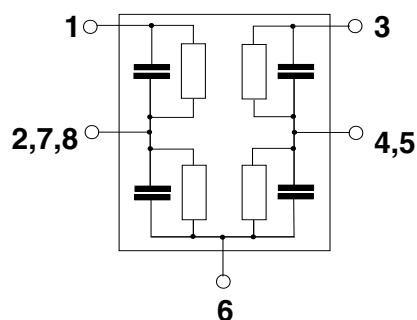
- Low-loss SAW duplexer for mobile telephone
LTE Band II (PCS) systems
- Low insertion attenuation
- Low amplitude ripple
- Usable passband 60 MHz


Features

- Package size 1.8 x 1.4 mm²,
max. height 0.475 mm
- RoHS compatible
- Approx. weight 0.0035 g
- Package for **Surface Mount Technology (SMT)**
- Ni, gold-plated terminals
- **Electrostatic Sensitive Device (ESD)**
- **Moisture Sensitive Level 3 (MSL)**


Pin configuration

- 3 TX input
- 1 RX output
- 6 Antenna
- 2, 4, 5, 7, 8 To be grounded



Data sheet


Characteristics

Temperature range for specification:	T = -20 °C to +90 °C
ANT terminating impedance:	Z _{ANT} = 50 Ω 3.5 nH
RX terminating impedance:	Z _{RX} = 50 Ω + 1.6 nH
TX terminating impedance:	Z _{TX} = 50 Ω

Characteristics TX - ANT		B8663			
		min.	typ. @ 25 °C	max.	
Center frequency	f _C	—	1880.0	—	MHz
Maximum insertion attenuation	1852.5 ... 1907.5 MHz α _{LTE} 1)	—	1.6	2.5	dB
Error Vector Magnitude	@f _{Carrier} 1852.4 ... 1907.6 MHz EVM 2)	—	0.6	3.0	%
Input VSWR (TX port)	1850.24 ... 1909.76 MHz	—	1.3	2.0	
Output VSWR (RX port)	1850.24 ... 1909.76 MHz	—	1.3	2.0	
Attenuation	α				
	10.0 ... 787.0 MHz	30	43	—	dB
	728.0 ... 764.0 MHz	40	43	—	dB
	869.0 ... 894.0 MHz	38	41	—	dB
	1226.0 ... 1250.0 MHz	35	37	—	dB
	1559.0 ... 1585.5 MHz	41	45	—	dB
	1597.5 ... 1605.9 MHz	41	48	—	dB
	1605.8 ... 1680.0 MHz	30	40	—	dB
	1932.5 ... 1987.5 MHz α _{LTE}	44	52	—	dB
	2010.0 ... 2025.0 MHz	20	50	—	dB
	2110.0 ... 2155.0 MHz	30	33	—	dB
	2400.0 ... 2500.0 MHz	10	14	—	dB
	3700.0 ... 3820.0 MHz	27	30	—	dB
	4900.0 ... 5950.0 MHz	21	25	—	dB
	5550.0 ... 5730.0 MHz	23	27	—	dB

1) Averaged value of linear s-parameter over 5 MHz

2) Error Vector Magnitude (EVM) based on definition given in 3GPP TS 25.141.

Data sheet


Characteristics

Temperature range for specification:	T = -20 °C to +90 °C
ANT terminating impedance:	Z _{ANT} = 50 Ω 3.5 nH
RX terminating impedance:	Z _{RX} = 50 Ω + 1.6 nH
TX terminating impedance:	Z _{TX} = 50 Ω

		B8663			
Characteristics ANT - RX		min.	typ. @ 25°C	max.	
Center frequency	f _C	—	1960.0	—	MHz
Maximum insertion attenuation					
	1932.5 ... 1987.5 MHz α _{LTE} ¹⁾	—	2.1	3.0	dB
Input VSWR (ANT port)					
	1930.24 ... 1989.76 MHz	—	1.3	2.0	
Output VSWR (RX port)					
	1930.24 ... 1989.76 MHz	—	1.2	2.0	
Attenuation	α				
	0.2 ... 1850.0 MHz	43	46	—	dB
	80.0 MHz	50	>60	—	dB
	1852.5 ... 1907.5 MHz α _{LTE}	45	52	—	dB
	2050.0 ... 2075.0 MHz	25	37	—	dB
	2075.0 ... 2350.0 MHz	35	44	—	dB
	2350.0 ... 2550.0 MHz	20	28	—	dB
	2550.0 ... 6000.0 MHz	40	51	—	dB
	5610.0 ... 5845.0 MHz	48	52	—	dB

1) Averaged value of linear s-parameter over 5 MHz

		B8663			
Characteristics TX - RX		min.	typ. @ 25°C	max.	
Isolation	α				
	1574.0 ... 1577.0 MHz	40	64	—	dB
	1852.5 ... 1907.5 MHz α _{LTE} ¹⁾	54	58	—	dB
	1932.5 ... 1987.5 MHz α _{LTE}	55	62	—	dB
	3700.0 ... 3820.0 MHz	20	56	—	dB
	5550.0 ... 5850.0 MHz	20	53	—	dB

1) Averaged value of linear s-parameter over 5 MHz

Maximum ratings

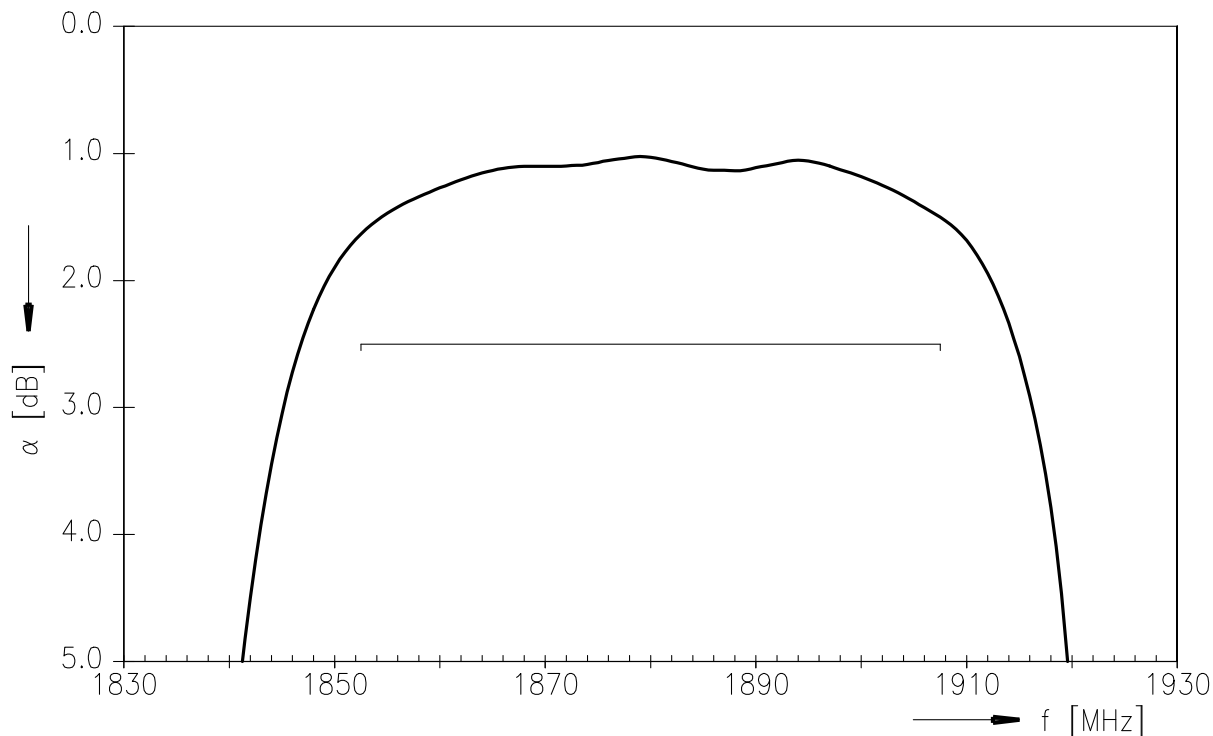
Operable temperature range	T	-30/+90	°C	
Storage temperature range	T _{stg}	-40/+90	°C	
DC voltage	V _{DC}	0	V	
ESD voltage	V _{ESD}	250	V	human body model ¹⁾
ESD voltage	V _{ESD}	600	V	charge device model ²⁾
ESD voltage	V _{ESD}	150	V	machine model ³⁾
Input power at	P _{IN}			source and load impedance 50 Ω
1850.24 ... 1909.76 MHz		29	dBm	} continuous wave T = 50 °C, >5.000 h
elsewhere		10	dBm	

1) acc. to JESD22-A114F (HBM)

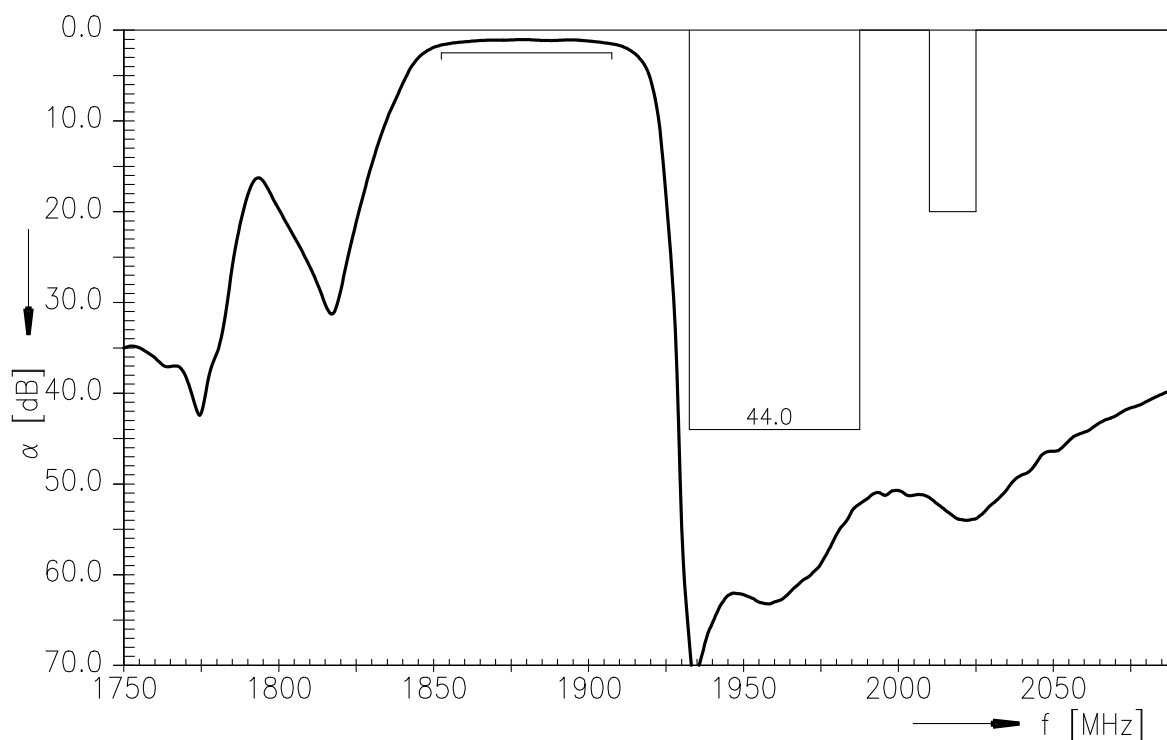
2) acc. to JESD22-C101C (CDM)

3) acc. to JESD22-A115B (MM)

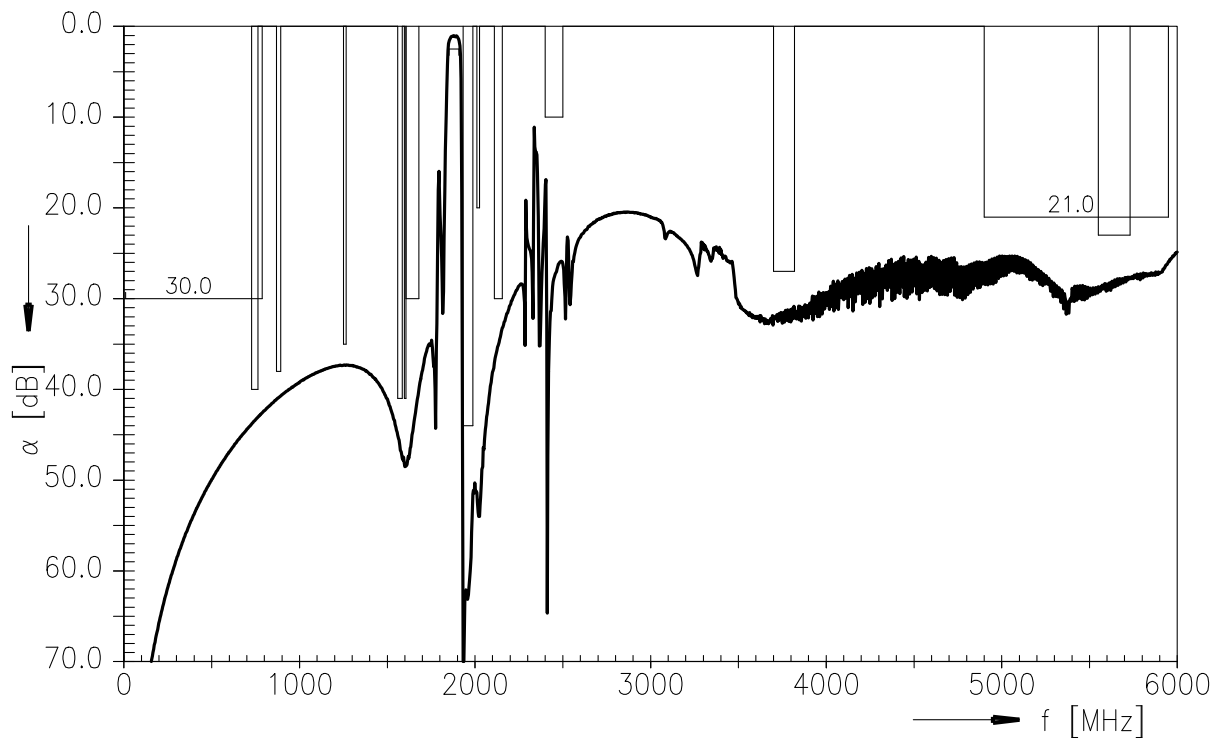
Frequency response TX - ANT (passband, averaged value of linear s-parameter over 5 MHz)



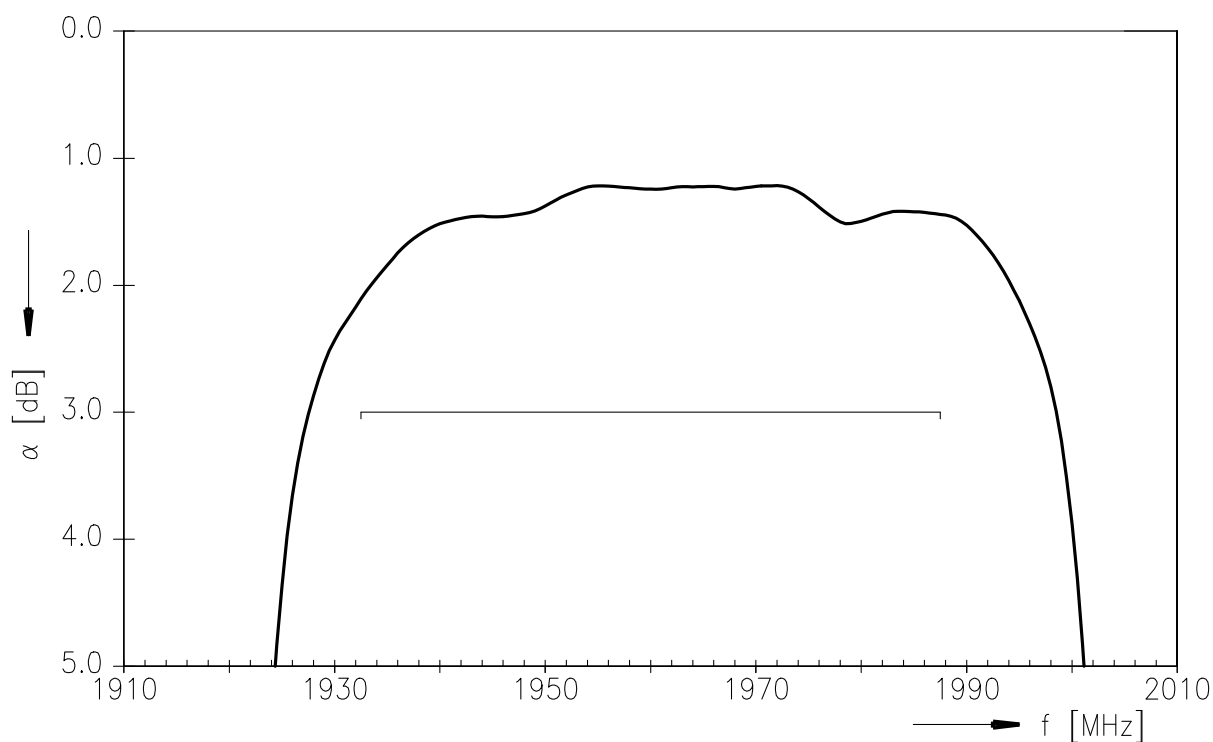
Frequency response TX - ANT (averaged value of linear s-parameter over 5 MHz)

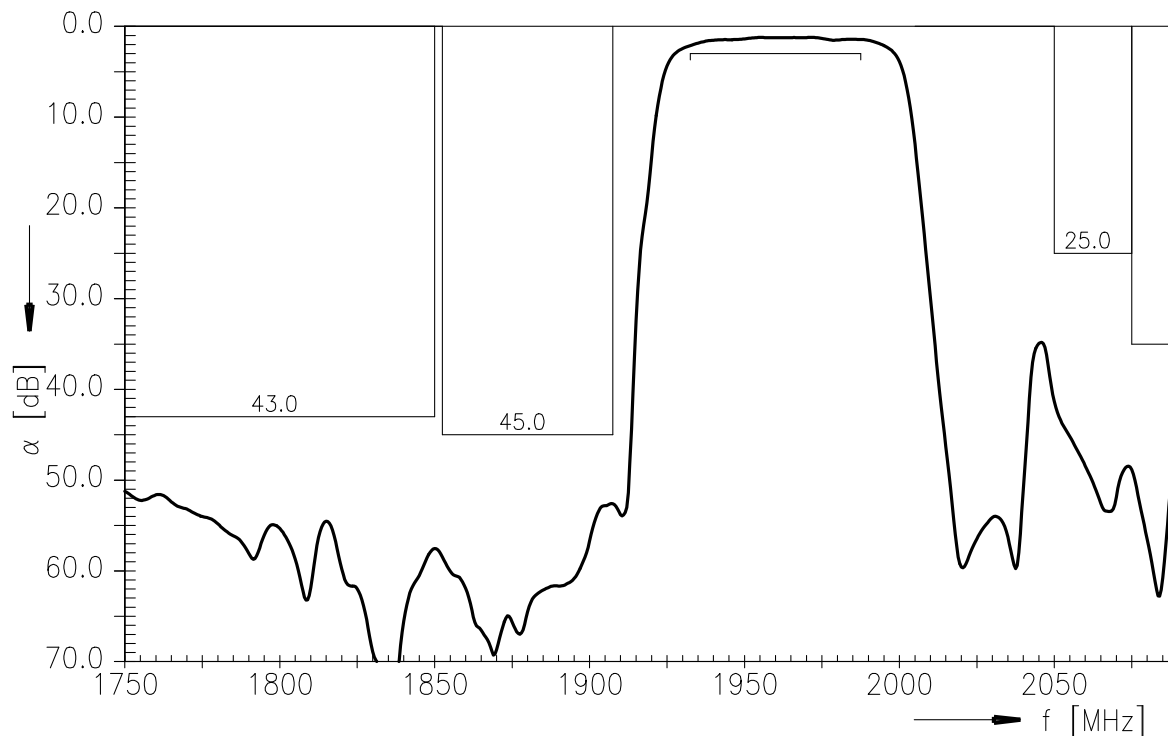
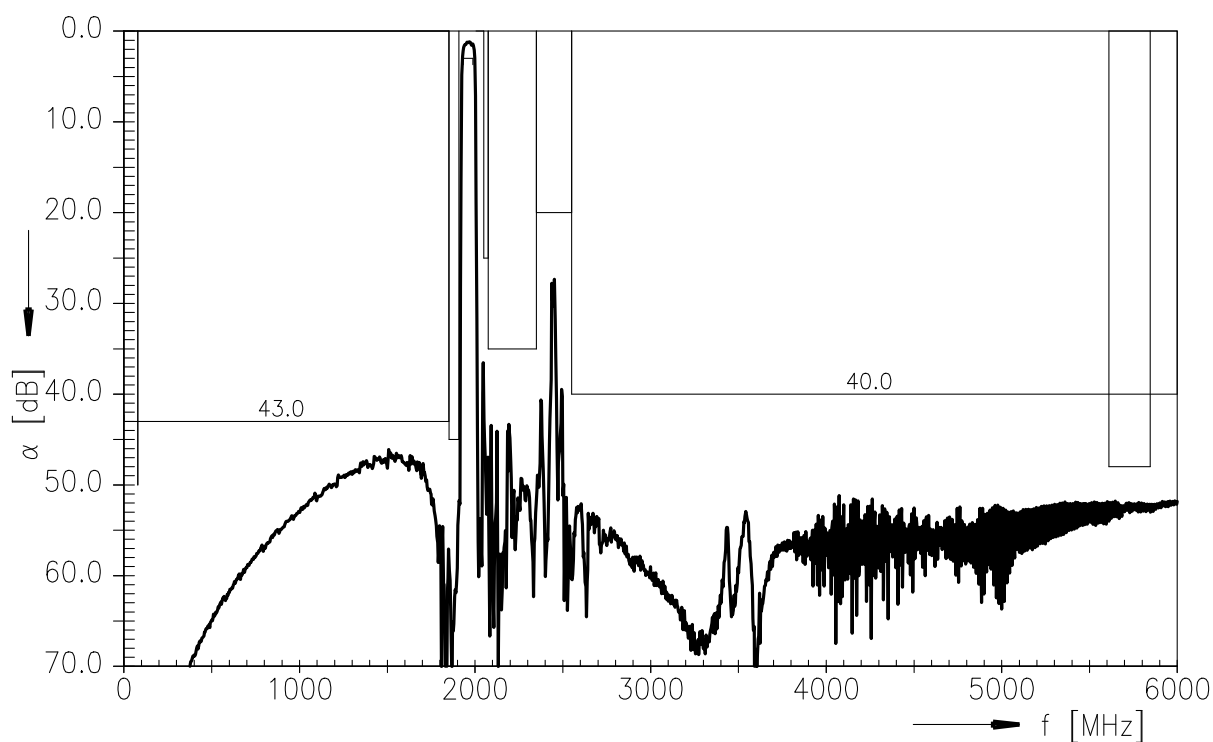


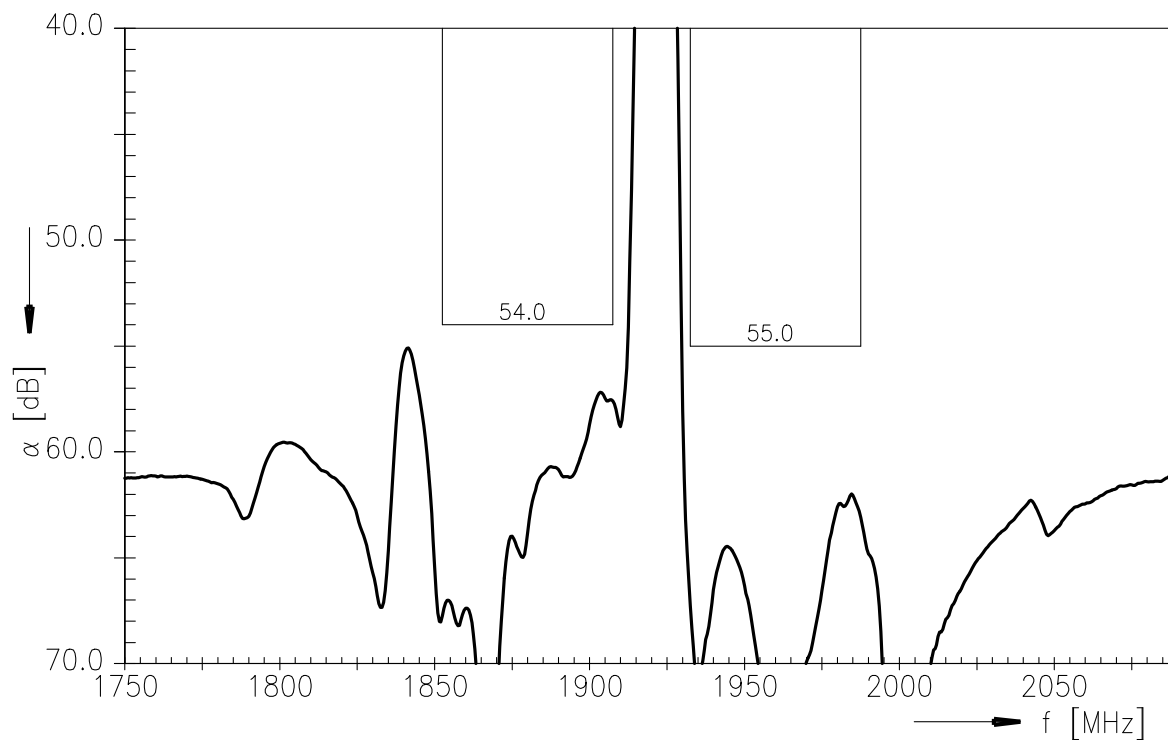
Frequency response TX - ANT (wideband)



Frequency response ANT - RX (passband, averaged value of linear s-parameter over 5 MHz)



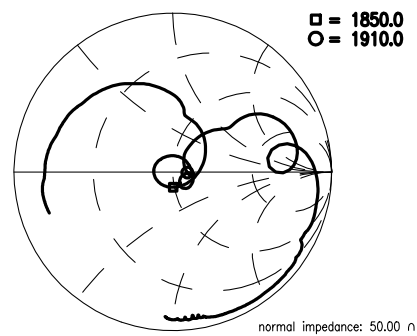
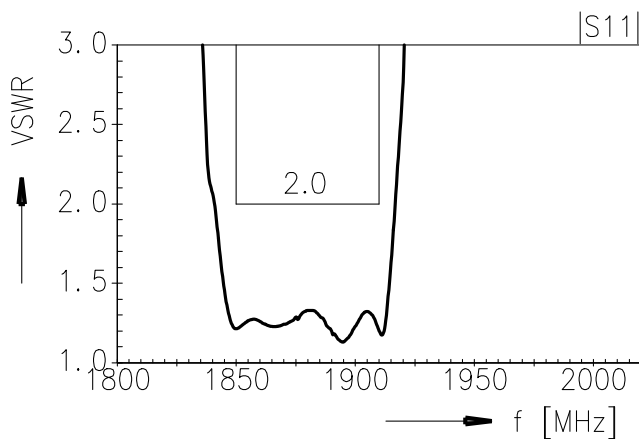
Frequency response ANT - RX (averaged value of linear s-parameter over 5 MHz)

Frequency response ANT - RX (wideband)


Frequency response TX - RX isolation (averaged value of linear s-parameter over 5 MHz)


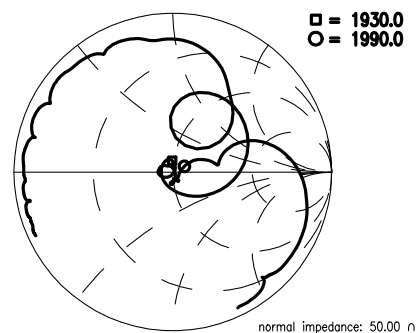
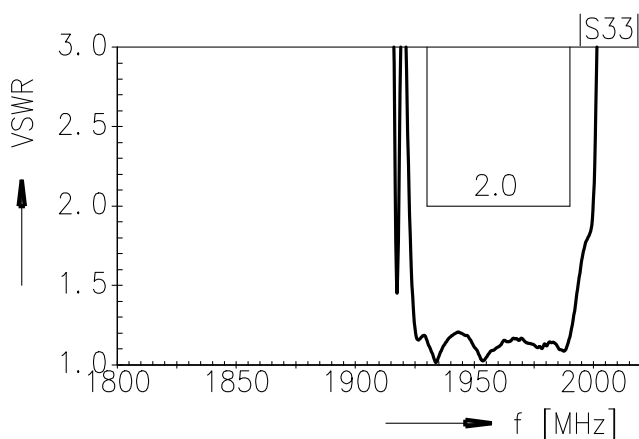
Data sheet



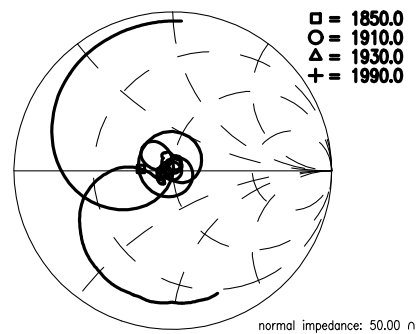
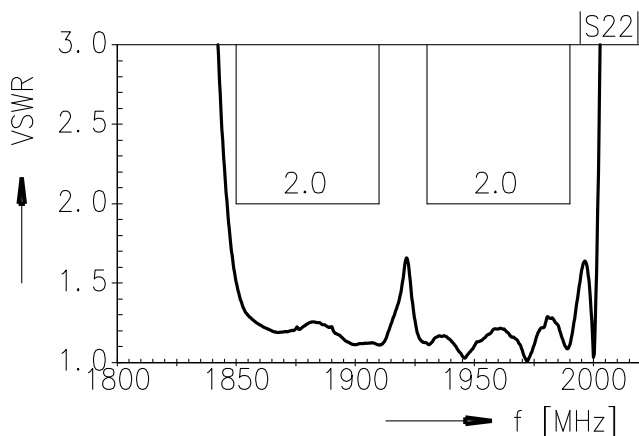
VSWR S₁₁ TX-port



VSWR S₃₃ RX-port



VSWR S₂₂ ANT-port



References

Type	B8663
Ordering code	B39202-B8663-P810
Marking and package	C61157-A8-A87
Packaging	F61074-V8259-Z000
Date codes	L_1126
S-parameters	B8663_NB_UN.s3p (unmatched, narrow band) B8663_WB_UN.s3p (unmatched, wide band) see file header for port/pin assignment table
Soldering profile	S_6001
RoHS compatible	defined as compatible with the following documents: "DIRECTIVE 2002/95/EC OF THE EUROPEAN PARLIAMENT AND OF THE COUNCIL of 27 January 2003 on the restriction of the use of certain hazardous substances in electrical and electronic equipment. 2005/618/EC from April 18th, 2005, amending Directive 2002/95/EC of the European Parliament and of the Council for the purposes of establishing the maximum concentration values for certain hazardous substances in electrical and electronic equipment."

For further information please contact your local EPCOS sales office or visit our webpage at www.epcos.com .

Published by EPCOS AG
Systems, Acoustics, Waves Business Group
P.O. Box 80 17 09, 81617 Munich, GERMANY

© EPCOS AG 2014. This brochure replaces the previous edition.

For questions on technology, prices and delivery please contact the Sales Offices of EPCOS AG or the international Representatives.

Due to technical requirements components may contain dangerous substances. For information on the type in question please also contact one of our Sales Offices.

Data sheet

SMD

Matching coils	See Inductor pdf-catalog http://www.tdk.co.jp/tefe02/coil.htm#aname1 and Data Library for circuit simulation http://www.tdk.co.jp/etvcl/index.htm for a large variety of matching coils.
-----------------------	---

Important notes

The following applies to all products named in this publication:

1. Some parts of this publication contain **statements about the suitability of our products for certain areas of application**. These statements are based on our knowledge of typical requirements that are often placed on our products in the areas of application concerned. We nevertheless expressly point out **that such statements cannot be regarded as binding statements about the suitability of our products for a particular customer application**. As a rule, EPCOS is either unfamiliar with individual customer applications or less familiar with them than the customers themselves. For these reasons, it is always ultimately incumbent on the customer to check and decide whether an EPCOS product with the properties described in the product specification is suitable for use in a particular customer application.
2. We also point out that **in individual cases, a malfunction of electronic components or failure before the end of their usual service life cannot be completely ruled out in the current state of the art, even if they are operated as specified**. In customer applications requiring a very high level of operational safety and especially in customer applications in which the malfunction or failure of an electronic component could endanger human life or health (e.g. in accident prevention or life-saving systems), it must therefore be ensured by means of suitable design of the customer application or other action taken by the customer (e.g. installation of protective circuitry or redundancy) that no injury or damage is sustained by third parties in the event of malfunction or failure of an electronic component.
3. **The warnings, cautions and product-specific notes must be observed.**
4. In order to satisfy certain technical requirements, **some of the products described in this publication may contain substances subject to restrictions in certain jurisdictions (e.g. because they are classed as hazardous)**. Useful information on this will be found in our Material Data Sheets on the Internet (www.epcos.com/material). Should you have any more detailed questions, please contact our sales offices.
5. We constantly strive to improve our products. Consequently, **the products described in this publication may change from time to time**. The same is true of the corresponding product specifications. Please check therefore to what extent product descriptions and specifications contained in this publication are still applicable before or when you place an order. We also **reserve the right to discontinue production and delivery of products**. Consequently, we cannot guarantee that all products named in this publication will always be available. The aforementioned does not apply in the case of individual agreements deviating from the foregoing for customer-specific products.
6. Unless otherwise agreed in individual contracts, **all orders are subject to the current version of the “General Terms of Delivery for Products and Services in the Electrical Industry” published by the German Electrical and Electronics Industry Association (ZVEI)**.
7. The trade names EPCOS, BAOKE, Alu-X, CeraDiode, CeraLink, CeraPlas, CSMP, CSSP, CTVS, DeltaCap, DigiSiMic, DSSP, FilterCap, FormFit, MiniBlue, MiniCell, MKD, MKK, MLSC, MotorCap, PCC, PhaseCap, PhaseCube, PhaseMod, PhiCap, SIFERRIT, SIFI, SIKOREL, SilverCap, SIMDAD, SiMic, SIMID, SineFormer, SIOV, SIP5D, SIP5K, TFAP, ThermoFuse, WindCap are **trademarks registered or pending** in Europe and in other countries. Further information will be found on the Internet at www.epcos.com/trademarks.