

## Wirewound Rheostat / Potentiometer

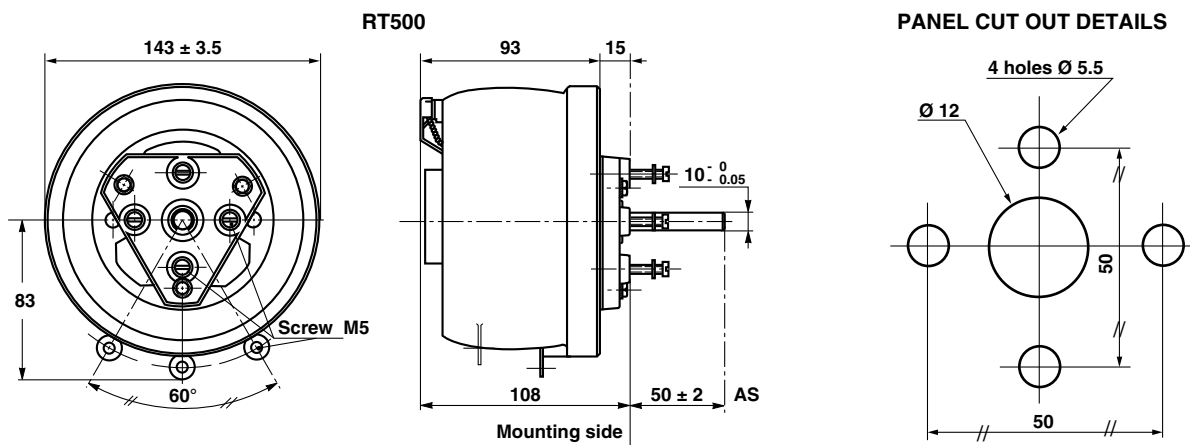


### FEATURES

- 500 W at 25 °C
- Vitreous wirewound protection
- Material categorization: for definitions of compliance please see [www.vishay.com/doc?99912](http://www.vishay.com/doc?99912)


**RoHS**  
COMPLIANT

### DIMENSIONS in millimeters



### STANDARD ELECTRICAL SPECIFICATIONS

MODEL	RESISTANCE RANGE Ω	TOLERANCE ± %	RATED POWER $P_{25\text{ °C}}$ W	VARIATION LAW STANDARD <sup>(1)</sup>	LIMITING ELEMENT VOLTAGE V	DIELECTRIC STRENGTH $V_{RMS}$	INSULATION RESISTANCE Ω
RT500	1 to 33K	10	500	Linear	3500	3500	$10^3M$ (500 $V_{CC}$ )

**Note**
<sup>(1)</sup> On request: sectorial winding

### CLIMATIC SPECIFICATIONS

Temperature range	-55 °C; +320 °C
Climatic category	CCTU 454 CEI 55 / 200 / 56

### MECHANICAL SPECIFICATIONS

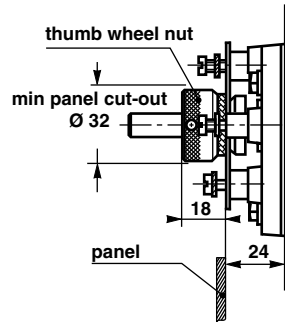
Mechanical protection	Vitreous
Mechanical travel	$300^\circ \pm 5^\circ$
Operating torque	1 Ncm to 50 Ncm
End stop torque	200 Ncm
Unit weight	1900 g

**LOCKING DEVICE**

This is supplied as an option.

The available spindle length is according to the panel thickness.

Order reference: DBA11



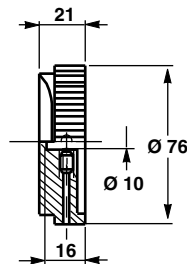
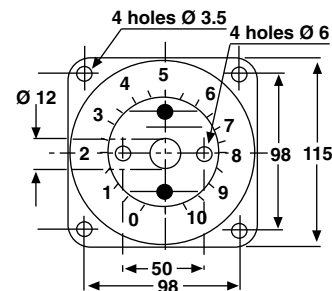
SPINDLES			
Ø mm	DISTANCE TO MOUNTING PLATE mm	SCREW DRIVER SLOT	CODE
10	50	Without	AS

**Note**

- For any special requirement on request: spindle flats, etc. Please supply detailed drawing.

**PARTICULAR CHARACTERISTICS**

NOMINAL RESISTANCE Ω	MAX. SERVICE VOLTAGE V	MAX. CURRENT THROUGH WIPER A
1	22.4	22.4
1.5	27.3	18.2
2.2	33	15
3.3	40.6	12.3
4.7	48.4	10.3
6.8	58.3	8.57
10	70.7	7.07
15	86.5	5.77
22	105	4.77
33	128	3.89
47	153.2	3.26
68	184.3	2.71
100	224	2.24
150	273	1.82
220	330	1.5
330	406	1.23
470	484	1.03
680	584.8	0.86
1K	707	0.707
1.5K	865	0.577
2.2K	1050	0.477
3.3K	1283	0.389
4.7K	1532	0.326
6.8K	1843	0.271
10K	2240	0.224
15K	2730	0.182
22K	3322	0.151
33K	3500	0.106

**COMMAND KNOB 60JF (OPTION)**

**DIAL CG1 15/4T (OPTION)**

**MARKING**

Vishay Sfernice trademark, series, style, ohmic value (in Ω or kΩ), tolerance (in %), maximum current in A, manufacturing date.



ORDERING INFORMATION						
RT	500	AS	2202	K	B	XXX
MODEL	STYLE	SPINDLE	OHMIC VALUE	TOLERANCE	PACKAGING	SPECIAL DESIGN

GLOBAL PART NUMBER INFORMATION																					
<table border="1" style="margin: auto;"> <tr> <td>R</td><td>T</td><td>5</td><td>0</td><td>0</td><td>A</td><td>S</td><td>1</td><td>0</td><td>0</td><td>0</td><td>K</td><td>B</td> </tr> </table>									R	T	5	0	0	A	S	1	0	0	0	K	B
R	T	5	0	0	A	S	1	0	0	0	K	B									
GLOBAL MODEL	SIZE	LOCKING DEVICE (OPT.)	WINDING (OPT.)	COMMAND SHAFT	OHMIC VALUE	TOLERANCE	PACKAGING	SPECIAL													
RT	500	D	BXXX or BXXXX  As applicable xxx(x) = internal number	AS = standard (Diam: 10 mm)	The first three digits are significant figures and the last digit specifies the number of zeros to follow. R designates decimal point. 2002 = 20 kΩ 4700 = 470 Ω 22R0 = 22 Ω 1000 = 100 Ω	J = 5 % K = 10 %	B = box BO1	As applicable Ex = DXxx													

RELATED DOCUMENTS	
APPLICATION NOTES	
Potentiometers and Trimmers	<a href="http://www.vishay.com/doc?51001">www.vishay.com/doc?51001</a>
Guidelines for Vishay Sfernice Resistive and Inductive Components	<a href="http://www.vishay.com/doc?52029">www.vishay.com/doc?52029</a>



## Disclaimer

ALL PRODUCT, PRODUCT SPECIFICATIONS AND DATA ARE SUBJECT TO CHANGE WITHOUT NOTICE TO IMPROVE RELIABILITY, FUNCTION OR DESIGN OR OTHERWISE.

Vishay Intertechnology, Inc., its affiliates, agents, and employees, and all persons acting on its or their behalf (collectively, "Vishay"), disclaim any and all liability for any errors, inaccuracies or incompleteness contained in any datasheet or in any other disclosure relating to any product.

Vishay makes no warranty, representation or guarantee regarding the suitability of the products for any particular purpose or the continuing production of any product. To the maximum extent permitted by applicable law, Vishay disclaims (i) any and all liability arising out of the application or use of any product, (ii) any and all liability, including without limitation special, consequential or incidental damages, and (iii) any and all implied warranties, including warranties of fitness for particular purpose, non-infringement and merchantability.

Statements regarding the suitability of products for certain types of applications are based on Vishay's knowledge of typical requirements that are often placed on Vishay products in generic applications. Such statements are not binding statements about the suitability of products for a particular application. It is the customer's responsibility to validate that a particular product with the properties described in the product specification is suitable for use in a particular application. Parameters provided in datasheets and / or specifications may vary in different applications and performance may vary over time. All operating parameters, including typical parameters, must be validated for each customer application by the customer's technical experts. Product specifications do not expand or otherwise modify Vishay's terms and conditions of purchase, including but not limited to the warranty expressed therein.

Except as expressly indicated in writing, Vishay products are not designed for use in medical, life-saving, or life-sustaining applications or for any other application in which the failure of the Vishay product could result in personal injury or death. Customers using or selling Vishay products not expressly indicated for use in such applications do so at their own risk. Please contact authorized Vishay personnel to obtain written terms and conditions regarding products designed for such applications.

No license, express or implied, by estoppel or otherwise, to any intellectual property rights is granted by this document or by any conduct of Vishay. Product names and markings noted herein may be trademarks of their respective owners.