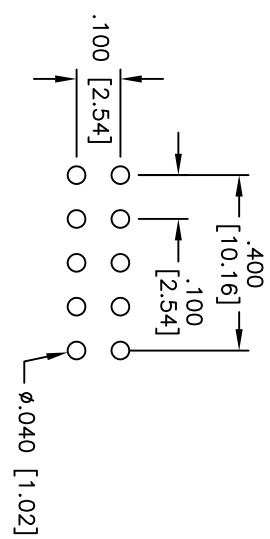
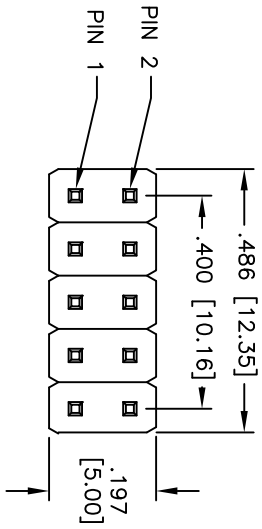
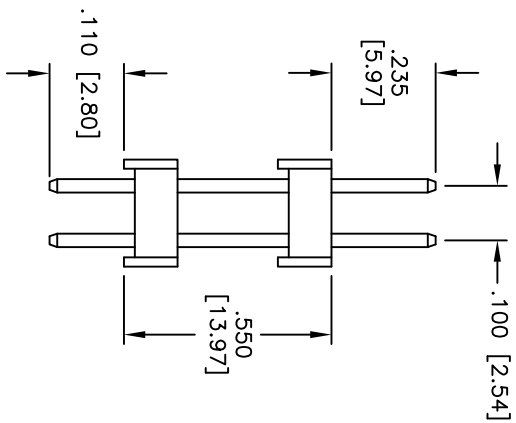
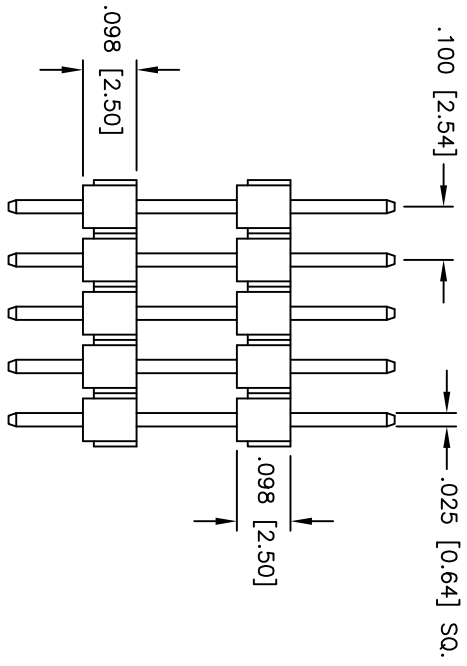


Rev	AWO #	Description	Date	Appr
-		RELEASED	2/25/11	

APPROVED: \_\_\_\_\_  
 DATE: \_\_\_\_\_ TITLE: \_\_\_\_\_



RECOMMENDED PCB LAYOUT



**SPECIFICATIONS:**

- Material: PBT, glass reinforced, rated UL 94V-0
- Insulator color: Black
- Contacts: Brass
- Plating: Gold flash over Nickel underplate overall
- Electrical:
  - Current rating: 3 Amps
  - Contact resistance: 20 mohms max
  - Insulation resistance: 5,000 Mohms min @ 500 VDC
  - Dielectric withstanding voltage: 500 VAC for 1 minute
- Temperature Rating:
  - Operating temperature: -55°C to +105°C
- Environmental:
  - Lead free, RoHS compliant
- Recommended soldering temp: 235°C for 5 seconds



**ADAM TECH**

909 Rahway Avenue, Union, NJ 07083  
 Phone: 908-687-5000 Fax: 908-687-5710

TITLE: .100 [2.54] DUAL ROW PIN HEADER  
 DUAL INSULATOR, GOLD PLATED

UNLESS OTHERWISE SPECIFIED ALL DIMENSIONS ARE IN INCHES [MM]		TOLERANCES: EXCEPT AS NOTED	
INCHES		HOLDS	
.X	± .10	ØX	± .10
.XX	± .020	ØXXX	± .015
.XXX	± .015	ØXXX	± .010
APPROVALS	DATE		
DRAWN	DY	2/25/11	
CHECKED			
APPROVED			
SIZE	PART NO.	DPH-2-10-U-.235/.110/.550	REV.
X			-
REF: S00059T	SCALE: NTS	SHEET 1 OF 1	