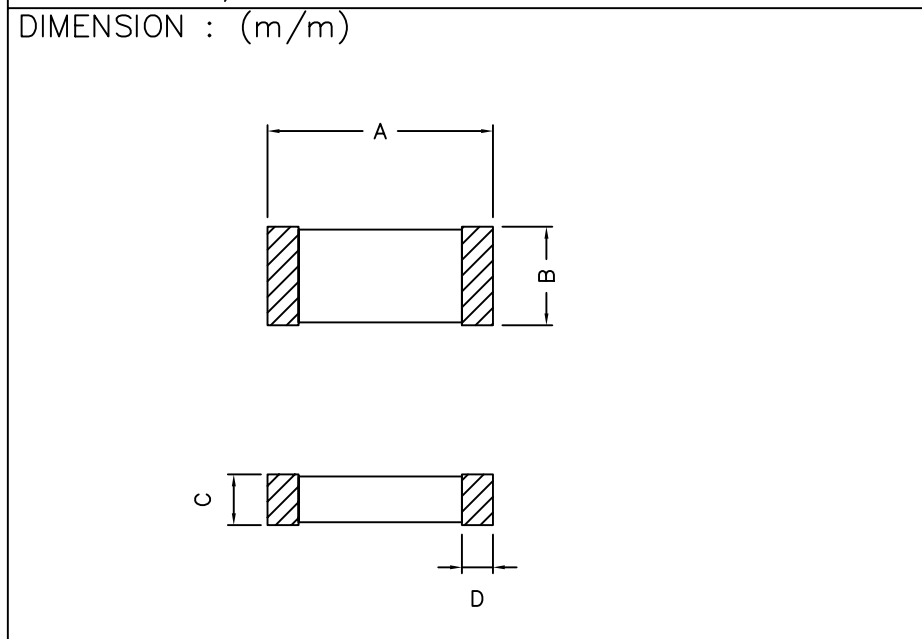


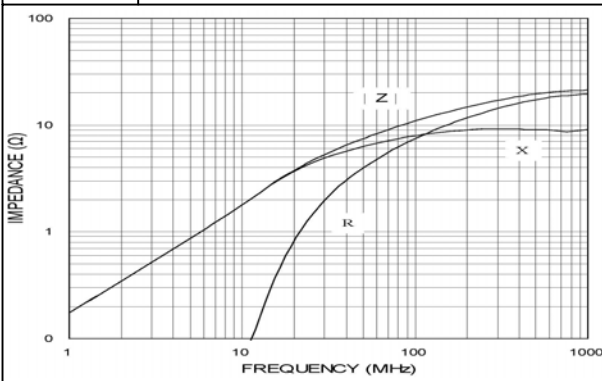
# XFMRS, Inc.

## SPECIFICATION FOR APPROVAL

XFMRS P/N : XFEB201209-110-6A Rev: A/2



A	$\phi 2.0 \pm 0.2$	m/m
B	$1.2 \pm 0.2$	m/m
C	$0.9 \pm 0.2$	m/m
D	$0.5 \pm 0.3$	m/m
E		m/m
F		m/m



### ELECTRICAL REQUIREMENTS

Z	11 Ohms $\pm 25\%$	TEST FREQ.	100	MHz
Rdc	0.010 Ohms Max	TEST FREQ.		MHz
Idc	6000mA Max	TEST FREQ.		MHz

### TEST INSTRUMENTS

- HP 34401A MULTIMETER
- HP 4195 NETWORKS/SPECTRUM ANALYZER
- HP 42841 BIAS CURRENT SOURCE
- HP 4285A LCR METER
- HP 4286A RF LCR METER
- HP 4991A RF IMPEDANCE / MATERIAL ANALYZER
- HP 4338A MILLION OHM METER
- HP 6632A DC POWER SUPPLY
- HP4284A PRECISION LCR METER

Notes:

- Solderability: Leads shall meet MIL-STD-202G, Method 208H for solderability.
- Flammability: UL94V-0
- ASTM oxygen index: > 28%
- Insulation System: Class F 155°C. UL file E151556
- Operating Temperature Range: All listed parameters are to be within tolerance from -55°C to +125°C
- Storage Temperature Range: -55°C to +125°C
- Aqueous wash compatible
- SMD Lead Coplanarity:  $\pm 0.004'' (0.102\text{mm})$
- Electrical and mechanical specifications 100% tested
- RoHS Compliant Component

DRAWN BY :  
  
**Xiany**

CHECKED BY :  
  
**YK Liao**

APPROVED BY :  
  
**BW**