

6

5

4

3

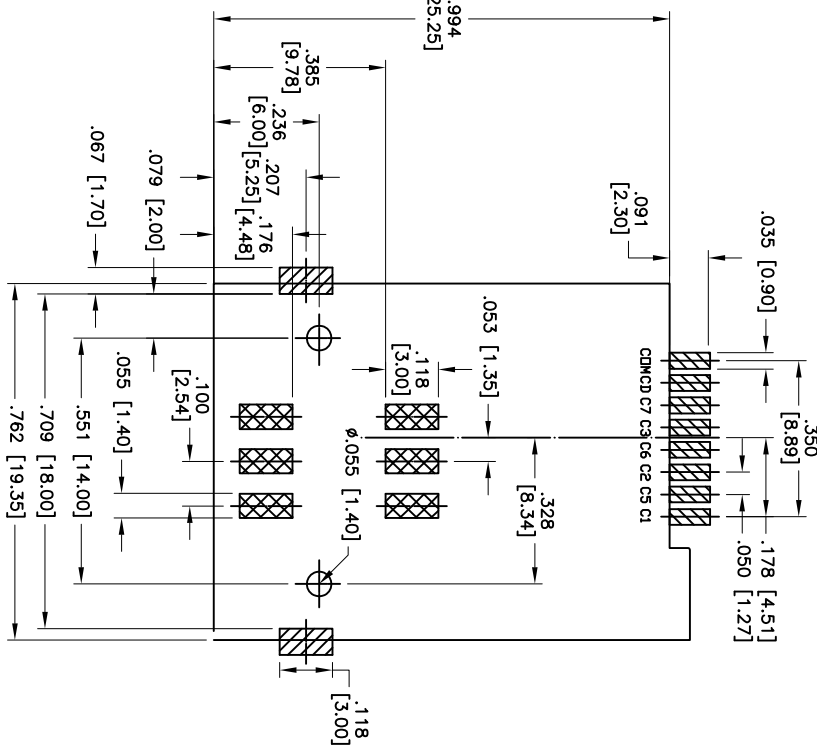
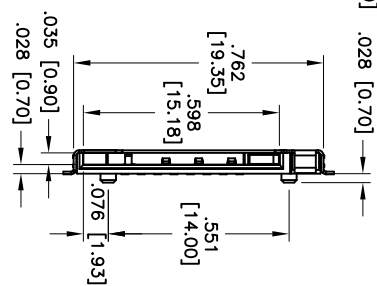
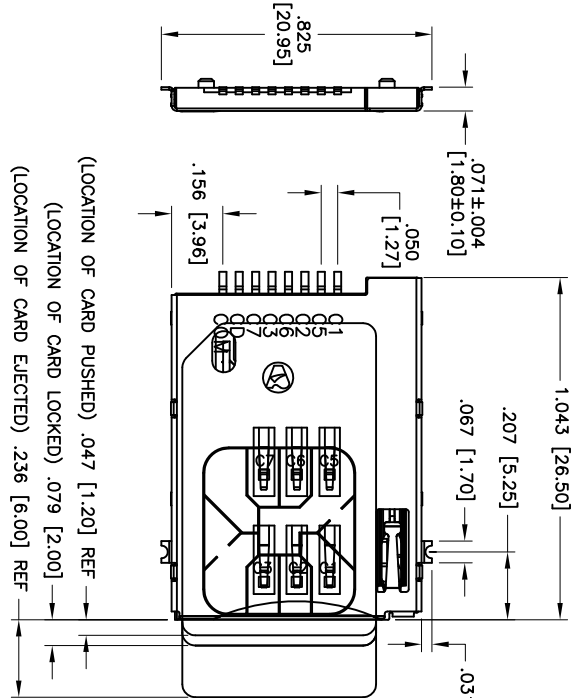
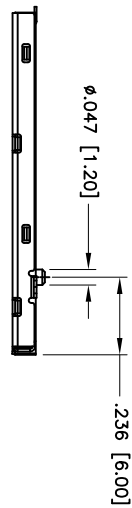
2

1

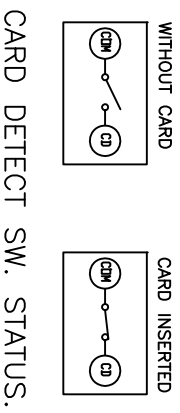
APPROVED: _____

DATE: _____ TITLE: _____

Rev	AWO #	Description	Date	Appr
-		RELEASED	9/30/08	
A		ADDED DIM.	12/23/08	
B		ADDED DIM.	1/15/09	
C		CHANGED TEMPERATURE	6/15/10	
D		REVISED SHAPE	10/7/10	
E		ADDED TOLERANCE	4/25/11	



Recommended PCB Layout
PACKAGED ON TAPE & REEL



CARD DETECT SW. STATUS.

SPECIFICATIONS:

- Material: LCP with glass fiber reinforced, rated UL 94V-0
- Insulator color: Black
- Contacts: Phosphor Bronze
- Metal cover and Boardlock: Stainless steel sheet.
- Plating: 10u" Gold over Nickel underplate on contact area, Tin over Copper underplate on SMT tails
- Electrical:
 - Current rating: 0.5 Amps max
 - Contact resistance: 30 mohms max.
 - Insulation resistance: 1000 Mohms min @ 500V DC
 - Dielectric withstanding voltage: 500 VAC for 1 minute
 - Temperature Rating: Operating temperature: -40°C to +85°C
- Environmental:
 - Lead free, RoHS compliant.
 - Recommended soldering temp: 260°C for 5 sec.



UNLESS OTHERWISE SPECIFIED
ALL DIMENSIONS ARE INCHES [MM]
TOLERANCES: EXCEPT AS NOTED

.X	± .10	Ø.X	± .10
.XX	± .020	Ø.XX	± .015
.XXX	± .015	Ø.XXX	± .010

APPROVALS

DRAWN	DY	DATE
		9/30/08

CHECKED

APPROVED

ADAM TECH
909 Railway Avenue, Union, NJ 07083
Phone: 908-687-5000 Fax: 908-687-5710

TITLE: SIM CARD SOCKET 6+2 PIN, PUSH PUSH TYPE
NO STAND OFF

SIZE	PART NO.	REV.
X	SCCP-08-SG-SMT-T/R	E
REF:	S0009T	SCALE: NTS
		SHEET 1 OF 1

6

5

4

3

2

1