

These components are RoHS compliant



BLA4 SERIES 3mm LED STAND-OFF

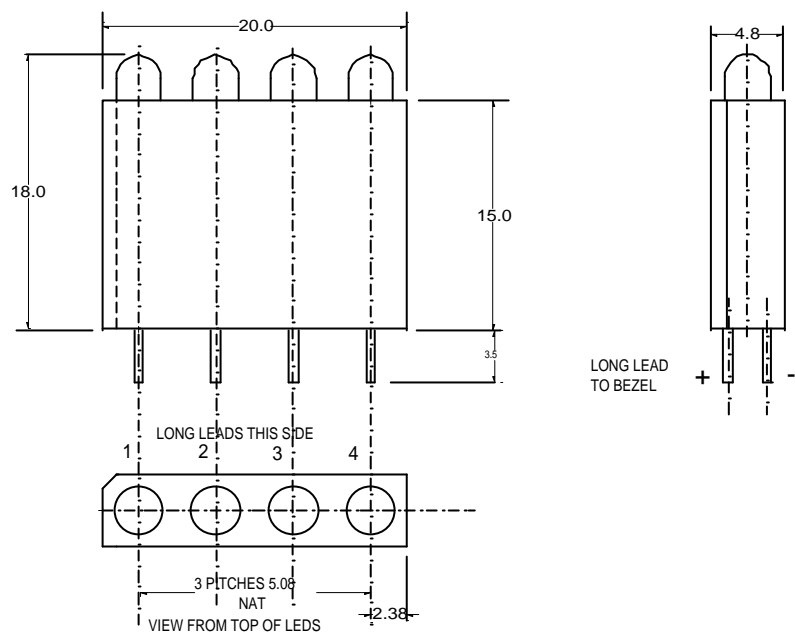
BLA 4 is a precision moulded plastic stand-off for four T1 size Light Emitting Diodes. Material is black nylon 6 to flammability specification UL-94VO.

FEATURES

- ◆ +/- 30 deg viewing angle.
- ◆ Will accept T1 infra red emitters or sensors.
- ◆ Accurate stable location.
- ◆ Red, green, yellow, blue and bi-colour.



MECHANICAL DATA



BEDFORD OPTO TECHNOLOGY LTD,
1,BIGGAR BUSINESS PARK, BIGGAR,LANARKSHIRE ML12 6FX
Tel: +44 (0) 1899 221221 Fax: +44 (0) 1899 221009
Website: bot.co.uk E-mail: bill@bot.co.uk

ABSOLUTE MAXIMUM RATING per LED (Ta=25 C)**BLA 4 SERIES**

COLOUR	R,Y,G,O	BLUE	RED/GREEN
REVERSE VOLTAGE	6Volts	5Volts	
CONTINUOUS FORWARD CURRENT	30 mA	20mA	30mA
POWER DISSIPATION Tamb 60 C	100mW	100mW	100mW
OPERATING TEMP	-40 TO+100°C	-40 To+100 C	-40 To+85 C
STORAGE TEMP	-55to +100°C	-40 To+100C	-40 To +85 C
LEAD SOLDERING TEMP(1.55mm FROM BODY 5secs)	260°C	260°C	260°C

ELECTRICAL CHARACTERISTICS (Tamb=25°C)

COLOUR		Luminous Intensity If = 10mA mcd	Peak Wavelength nm	Forward Voltage If = 20mA volts	VIEWING ANGLE deg
RED	min	6.3	-	-	60
	typ	10.0	635	2.0	
	max	-	-	3.0	
ORANGE	Min	1.6	605	2.4 3.0	60
	Typ	4.0			
	max	-			
YELLOW	min	6.3	-	-	60
	typ	10.0	585	2.4	
	max	-	-	3.0	
GREEN	min	6.3	-	-	60
	typ	12.0	565	2.4	
	max	-	-	3.0	
BLUE	min	6.3	-	-	60
	typ	12.0	428-	3.9	
	max	@20mA	-	4.5	
RED	Min	4.5	635	1.7	50
GREEN	Typ	8.0		2.6	
	Max	-		1.7	
	Min	8.0	565	2.6	50
Typ	12.0	-			
Max	-	-			

Ordering InformationTo specify your requirement, please state:-**BLA4ABCD**

where A,B OR C = O = Orange, H = HERed , Y = Yellow, G = Green ,BC=Bi-colour or

BEDFORD OPTO TECHNOLOGY LTD
1,BIGGAR BUSINESS PARK , BIGGAR,LANARKSHIRE ML12 6FX

Tel: +44 (0) 1899 221221 Fax: +44 (0) 1899 221009

Website: bot.co.uk E-mail: bill@bot.co.uk