

Phase Control Thyristors (Stud & Lead Type), 56A

Features

- Improved glass passivation for high reliability
- Exceptional stability at high temperatures
- High di/dt and dv/dt capabilities
- Metric thread type available
- Low thermal resistance



TO-208AC (TO-65)

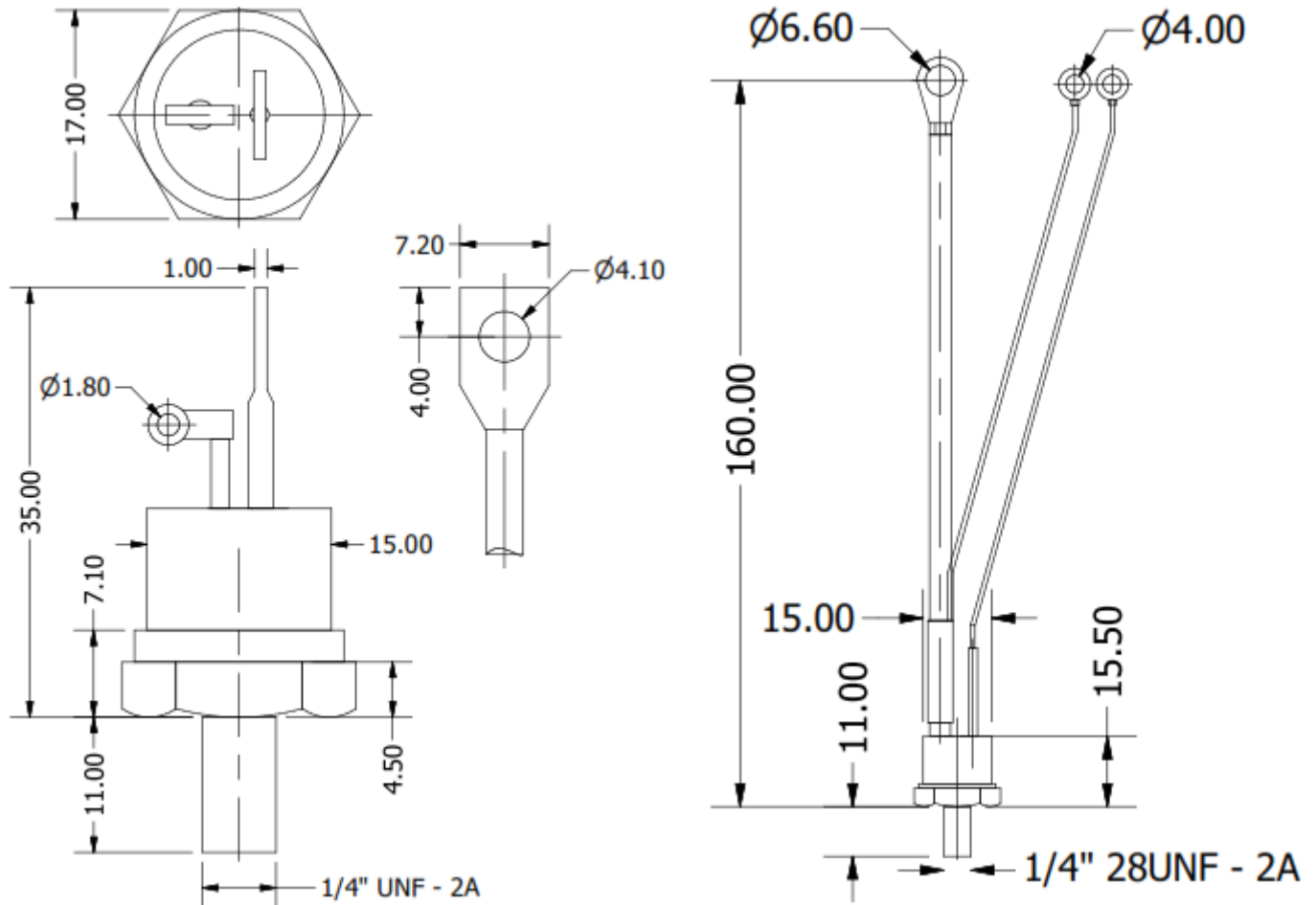
Voltage Ratings ($T_J = 25^\circ\text{C}$, unless otherwise noted)				
Type number	Voltage Code	$V_{\text{DRM}}/V_{\text{RRM}}$, Maximum repetitive peak and off-state voltage (V)	V_{RSM} , Maximum non-repetitive peak voltage (V)	$I_{\text{DRM}}/I_{\text{RRM}}$, Maximum at $T_J = T_J$ Maximum (mA)
56NT	20	200	300	10
	40	400	500	
	60	600	700	
	80	800	900	
	100	1000	1100	
	120	1200	1300	
	160	1600	1700	

Electrical Ratings ($T_J = 25^\circ\text{C}$, unless otherwise noted)				
Parameters		Symbol	Values	Units
Maximum on-state average current	$T_J = 85^\circ\text{C}$	$I_{\text{T(AV)}}$	56	A
Maximum RMS on-state current		$I_{\text{T(RMS)}}$	88	A
Maximum peak, one cycle non-repetitive surge current	$T_J = 25^\circ\text{C}$, 10 ms	I_{TSM}	1300	A
	$T_J = 130^\circ\text{C}$, 10 ms		1100	
Maximum I^2t for fusing	$T_J = 25^\circ\text{C}$, 10 ms	I^2t	8450	A^2s
	$T_J = 130^\circ\text{C}$, 10 ms		6050	
Maximum peak on-state voltage	$T_J = 25^\circ\text{C}$	V_{TM}	1.8	V
Maximum holding current	$T_J = 25^\circ\text{C}$	I_{H}	200	mA
Maximum latching current	$T_J = 25^\circ\text{C}$	I_{L}	400	mA
Maximum rate of rise of turn-on current	$T_J = T_J \text{ max.}$	di/dt	150	$\text{A}/\mu\text{s}$
Maximum critical rate of rise of off-state voltage	$T_J = T_J \text{ max.}$	dv/dt	500	$\text{V}/\mu\text{s}$
Maximum gate current required to trigger	$T_J = 25^\circ\text{C}$	I_{GT}	150	mA
Maximum gate voltage required to trigger	$T_J = 25^\circ\text{C}$	V_{GT}	3	V

Thermal and Mechanical Specifications ($T_J = 25^\circ\text{C}$, unless otherwise noted)			
Parameters	Symbol	Values	Units
Maximum operating junction temperature range	T_J	- 40 to +130	$^\circ\text{C}$
Maximum storage temperature range	T_{Stg}	- 50 to +150	$^\circ\text{C}$
Maximum thermal resistance, junction to case	$R_{\text{th(jc)}}$	0.5	$^\circ\text{C}/\text{W}$
Mounting torque	F	3.5	Nm
Approximate weight	W	21	g

Package Outline

(All dimensions in mm)



Ordering Table

56	NT	120
1	2	3

- 1 – Current Rating = $I_F (AV)$
- 2 – Phase Controlled Thyristor (SCR)
- 3 – Voltage x 10 = V_{RRM}