

BOLT-DOWN FUSE HOLDERS FOR MEGA® STYLE FUSE

RoHS



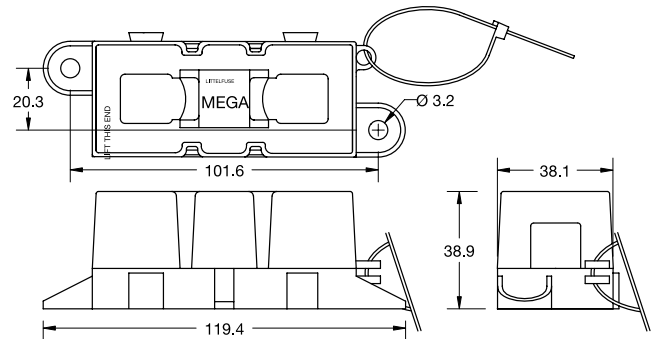
Description

Use with MEGA® fuses up to 500A. Ideal for battery and alternator connections and other heavy gauge cables requiring ultra high current protection. Includes protective cover. Features interconnecting pins on side of fuse block for secure multiple block configurations. Includes M8 threaded studs and hex nuts with lock washers. Fuse not included.

Dimensions

Dimensions in mm

M8 torque: 12-18Nm



Ratings

| Part Number | Description | Fuse Rating |
|-------------|-------------|-------------|
| 02981001ZXT | 160 pcs. | 500 A |

Corresponding fuses see Section "Bolt-Down Fuses."

SPLASH RESISTANT FUSE HOLDER

for MEGA® Style Bolt-Down Fuse



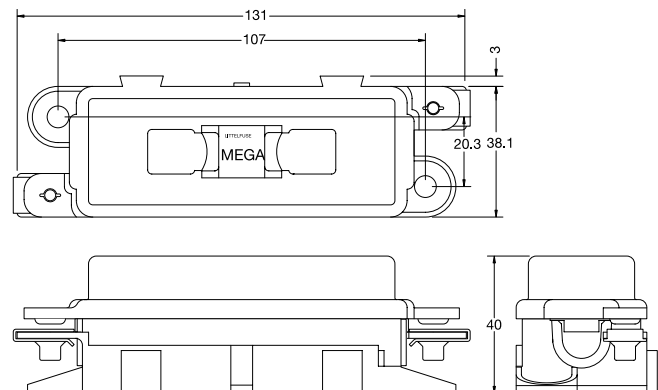
Description

For use with MEGA® fuses the holder offers splash-resistant protection for use in harsh environments.

Dimensions

Dimensions in mm

M8 torque: 12-18Nm



Ratings

| Part Number | Description | Fuse Rating |
|-------------|-------------|-------------|
| 298907-030 | Holder | 250 A |
| 298907-040 | Cover | - |

Corresponding fuses see Section "Bolt-Down Fuses."