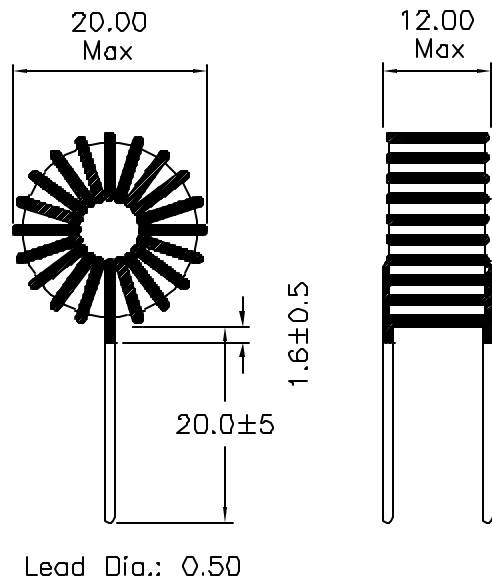


1. Mechanical Dimensions:



2. Schematic:



3. Electrical Specifications:

OCL: 200uH ± 25% @ 10KHz 100mV

OCL: 120uH Min @ 10KHz 100mV, 1Adc

DC Res.: 0.180 Ohms Max

Notes:

1. Solderability: Leads shall meet MIL-STD-202G, Method 208H for solderability.
2. Flammability: UL94V-0
3. ASTM oxygen index: > 28%
4. Insulation System: Class F 155°C. UL file E151556
5. Operating Temperature Range: All listed parameters are to be within tolerance from -40°C to +85°C
6. Storage Temperature Range: -55°C to +125°C
7. Aqueous wash compatible
8. Electrical and mechanical specifications 100% tested
9. RoHS Compliant Component

DOC. REV. A/1

XFMRs Inc www.XFMRs.com		Title: VERTICAL INDUCTOR	
UNLESS OTHERWISE SPECIFIED TOLERANCES: .xx ± 0.25 Dimensions in MM	P/N: XF2006-VO		REV. A
	DWN.	廖玉坤	Feb-09-06
	CHK.	李清儿	Feb-09-06
SHEET 1 OF 1	APP.	MS	Feb-09-06