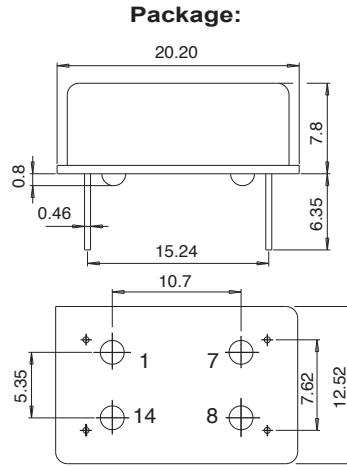




DIMENSIONS



Pin out

- Pin 1 = Voltage control
- Pin 7 = GND
- Pin 8 = Fout
- Pin 14 = Vdd

All dimensions in mm typical

Oven control quartz crystal oscillator
 Fundamental mode frequency
 High shock and vibration resistance
 Wide temperature range
 Low aging
 Customer specification on request
 Ultra fast warm up
 Ultra low power consumption
 Swiss made quality

DESCRIPTION:

This DIL 14 package has been specially designed for the applications:

- Digital switching
- Telecom transmission
- Sonet / SDH / DWDM / FDM/36 / WIMAX
- Airbone equipments
- Battery operated systems
- Instrumentation
- Radio Transceiver

The OCXO are supplied on trays (50 pcs/tray).

ELECTRICAL CHARACTERISTICS 25°C

Frequency versus temperature A: 0 to +60°C B: -20 to +70°C C: -40 to +85°C E: -55 to +85°C	$\Delta F/F$	see table 1 (without air flow)			
Frequency long term aging 1) long term aging 10 years long term aging 1 st year	$\Delta F/F$	< ± 2.5 ≤ ± 0.3		ppm	
Frequency control range	Vc	≥ ± 2.5 (see table 3)		ppm	
Supply voltage	Vdd	3.3 / 5 / 12		V	
Input current	Idd	see table 2			
Output signal		HC-MOS compatible			
Symmetry at Vdd/2		40 / 60		%	
Rise & fall time (without load)		≤ 7		nS	
Level "0" & "1"		< 0.4V > Vcc-0.5		V	
Start-up time	t	< 5		ms	
Load min / max		3/47		pF	
Frequency stability versus load ± 10%	$\Delta F/F$	≤ ± 10		ppb	
Warm-up within ± 0.1 ppm at 25°C	Vdd	3.3	5	12	V
	t	≤ 30	≤ 20	≤ 15	s
Stability versus Vdd	$\Delta F/F$	< ± 0.1		ppm	
Short term stability 0.1 to 30s 5E-11 typ at 1s	Tau	< 1		E-10	
Phase noise typical at 10 MHz Static conditions BW = 1Hz		3.3 / 5V		12V	dBc/ Hz
	10Hz	-100	-90		
	100Hz	-130	-120		
	1 kHz	-140	-130		
	10 kHz	-145	-135		

1) <± 1 E-9 / day after 30 days operating

TABLE 1: Vdd = 3.3V

Operating Temperature range	Vdd = 3.3V ± 0.15V	
	Version standard	Version high stability
A = 0 to +60°C	≤ ± 75 ppb	≤ ± 50 ppb
B = -20 to +70°C	≤ ± 150 ppb	≤ ± 75 ppb
C = -40 to +85°C	≤ ± 250 ppb	≤ ± 100 ppb
E = -55 to +85°C	≤ ± 400 ppb	≤ ± 200 ppb

TABLE 1: Vdd = 5V

Operating Temperature range	Vdd = 5V ± 0.2V	
	Version standard	Version high stability
A = 0 to +60°C	≤ ± 50 ppb	≤ ± 25 ppb
B = -20 to +70°C	≤ ± 100 ppb	≤ ± 50 ppb
C = -40 to +85°C	≤ ± 150 ppb	≤ ± 100 ppb
E = -55 to +85°C	≤ ± 400 ppb	≤ ± 200 ppb

TABLE 1: Vdd = 12V

Operating Temperature range	Vdd = 12V ± 0.5V	
	Version standard	Version high stability
A = 0 to +60°C	< ± 50 ppb	≤ ± 25 ppb
B = -20 to +70°C	≤ ± 100 ppb	≤ ± 50 ppb
C = -40 to +85°C	≤ ± 150 ppb	≤ ± 100 ppb
E = -55 to +85°C	≤ ± 400 ppb	≤ ± 200 ppb

TABLE 2: Idd

Temperature	Vdd = 3.3V	Vdd = 5V	Vdd = 12V
25°C	≤ 80 mA	≤ 50 mA	≤ 25 mA
-20°C	≤ 120 mA	≤ 80 mA	≤ 40 mA
start-up current at 25°C duration	≤ 350mA 10s	≤ 300mA 10s	≤ 250mA 10s

TABLE 3:

Frequency control adjustment response slope positive	Vdd = 3.3V	Vdd = 5V	Vdd = 12V
Voltage control input impedance > 47kΩ	0 to 3.3V	0.5 to 5V	0.5 to 5V
Resistor control R connect pin 1 to ground (Input impedance > -4,7kΩ)	0 to 10kΩ	0 to 10kΩ	0 to 10kΩ
No frequency control YA or YB	Pin 1 connect to GND		



Micro Crystal AG
Mühlestrasse 14
CH-2540 Grenchen
Switzerland

Tel. +41 32 655 82 82
Fax +41 32 655 80 90
sales@microcrystal.com
www.microcrystal.com

STANDARD FREQUENCIES:

Frequency «MHz»						
10	12.8	14.7456	16.384	20	25.6	26
32.768	40	52	54			
Other frequencies from 10 kHz up to 54 MHz on request						

ENVIRONMENTAL CHARACTERISTICS:

Storage temp. range	-55 to +125°C
Vibration resistance	10 to 2000Hz / 20g
Shocks resistance	5000g / 0.3ms / ½ sine

TERMINATIONS AND PROCESSING:

Pin soldering	+235°C / 10s max +260°C / 5s max
Package SMD version option D1 or D2 see application note	Dil 14.4 pins GND to case height = 8mm

PRODUCT DESCRIPTION AND ORDERING INFORMATION:

SCOCXOL V T - C V5 20MHz XXX

W = Vdd 3.3V
V = Vdd 5V
blank = Vdd 12V

T = high stability
blank = standard stability

A = 0 to +60°C
B = -20 to +70°C
C = -40 to +85°C
E = -55 to +85°C
X = custom

R1 = R = 0 to 10kΩ
V3 = Vc = 0 to 3.3V
V5 = Vc = 0.5 to 5V

YA internal accuracy= ± 1ppm
YB internal accuracy= ± 0.5ppm
Y = custom

Frequency

customer spec N°

A unique part number will be generated for each product specification, i.e:
20xxxx-EA00 (in ESD plastic tray)
Please contact us.

All specifications subject to change without notice.



Micro Crystal AG
Mühlestrasse 14
CH-2540 Grenchen
Switzerland

Tel. +41 32 655 82 82
Fax +41 32 655 80 90
sales@microcrystal.com
www.microcrystal.com