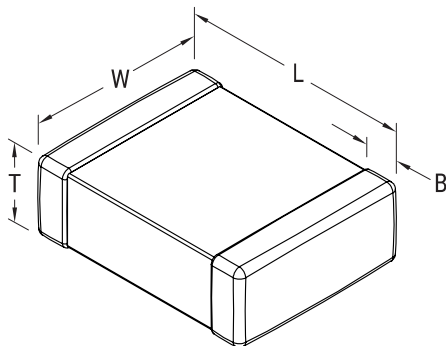


KEMET Part Number: M3253505E1C102JZMB-T&R
(C1206K102J2EML7189)

SMD MIL C0G PRF32535, Ceramic, Military/High Reliability, 1000 pF, 5%, 200 V, C0G, SMD, Low ESR, MIL-PRF-32535, N/A, 1206



Dimensions

L (Imperial)	0.126 Inches +/-0.010 Inches
L	3.2mm +/-0.25mm
W (Imperial)	0.063 Inches +/-0.010 Inches
W	1.6mm +/-0.25mm
T (Imperial)	0.070 Inches MAX
T	1.78mm MAX
B (Imperial)	0.020 Inches +/-0.014 Inches
B	0.51mm +/-0.36mm

Packaging Specifications

Packaging:	T&R
Packaging Quantity:	4000

General Information

Supplier:	KEMET
Series:	SMD MIL C0G PRF32535
Style:	SMD Chip
Description:	SMD, Low ESR, MIL-PRF-32535
RoHS:	No
Termination:	Solder Plated
Failure Rate:	N/A
Qualifications:	MIL-PRF-32535 M-Level
Chip Size:	1206
Shelf Life:	78 Weeks
MSL:	1

Specifications

Capacitance:	1000 pF
Capacitance Tolerance:	5%
Voltage DC:	200 VDC
Dielectric Withstanding Voltage:	500 V
Temperature Range:	-55/+125C
Temperature Coefficient:	C0G
Dissipation Factor:	0.15% 1MHz 25C
Aging Rate:	0% Loss/Decade Hour
Insulation Resistance:	100 GOhms