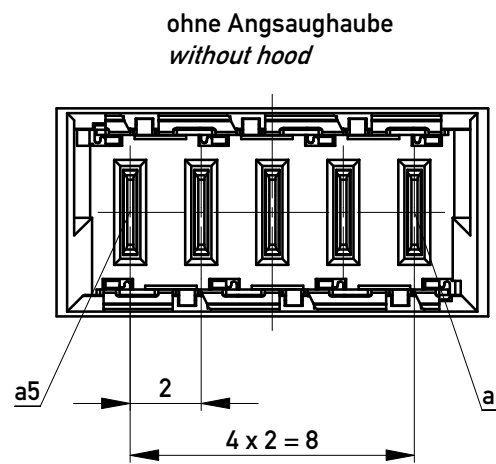
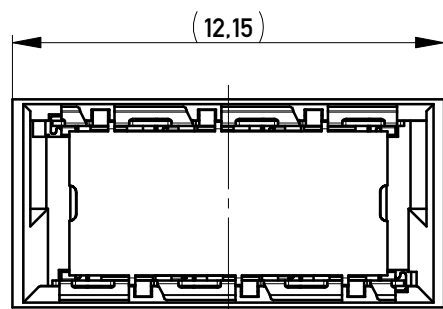
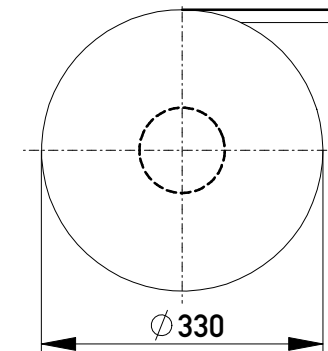
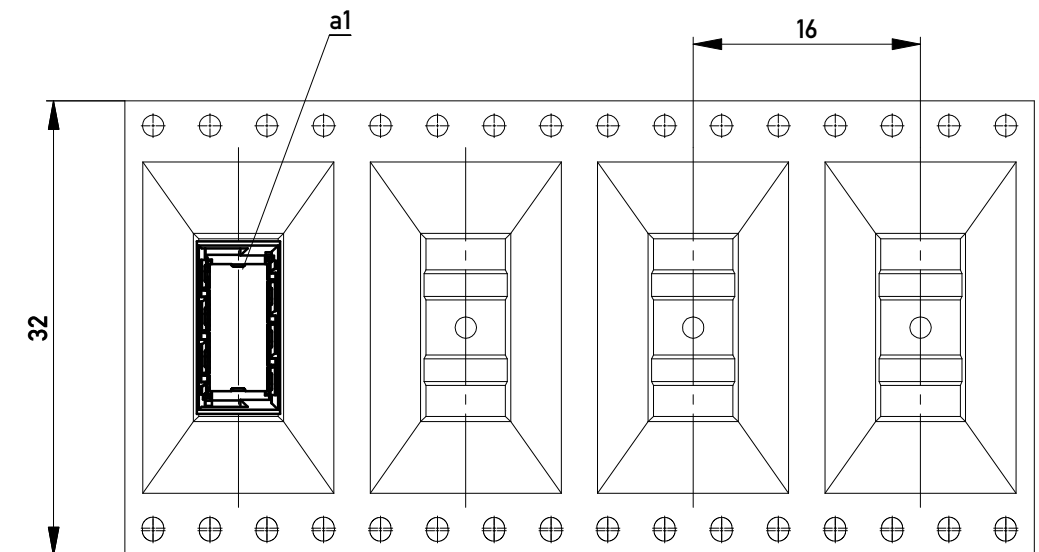


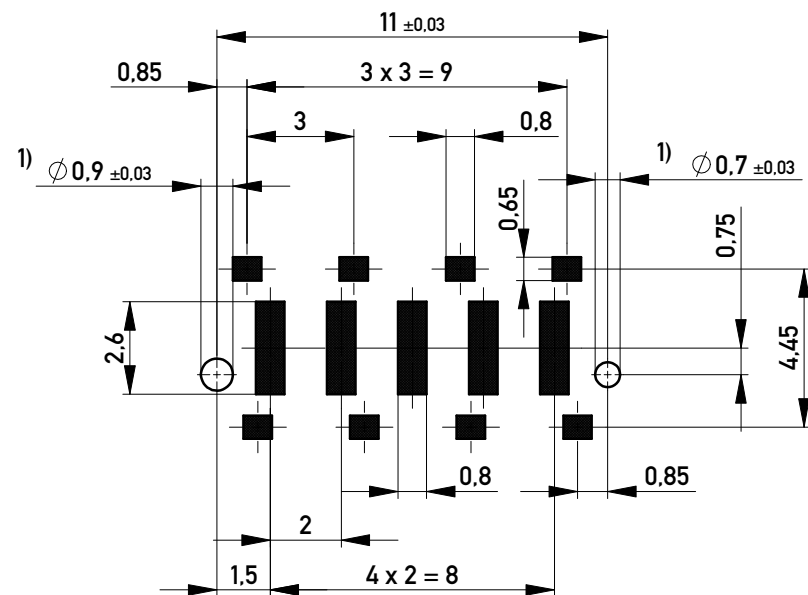
Verpackt in Gurtverpackung
 Tape on Reel Packaging
 Verpackungseinheit: 420 Stück
 Packaging unit: 420 pcs



Abspulrichtung - Reel off Direction



Leiterplatten-Layout Vorschlag / PCB-Layout Proposal



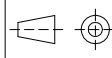

1) Durchmesser des Bohrers / Drill tool

Anforderungsstufe 1
 Performance Level 1

Kontaktbereich vergoldet
 Mating Area gold plating

Anschlussbereich verzinkt 4-6 µm
 Terminal Area 4-6 µm tin plating

Koplanarität der Anschlüsse ≤ 0,1 mm
 Coplanarity Area of Termination ≤ 0,1 mm

Information: All rights reserved. Only for Information. To ensure that this is the latest version of this drawing, please contact one of the ERNI companies before using.	Tolerances  All Dimensions in mm	Scale	5:1
		Designation Messerleiste SMD, Powerm. 1mm Male Con. SMD, Powerm. 1mm	
Copyright by ERNI GmbH Proprietary notice pursuant to ISO 16016 to be observed.		 www.ERNI.com	
k	05.09.2012	100802650001	
Index	Date	Class	MSPEED

I
 A3