

# Type THAS, ThinPack, Aluminum Electrolytic Capacitor, 105 °C

## High Energy Density, REACH and RoHS Compliant



At 9 mm thin, type THAS Thinpack offers the highest energy density available in a low profile aluminum electrolytic. It's ideal for the lowest profile circuits where high capacitance is needed for bulk storage. Look to type THAS to replace arrays of SMT solid tantalum or aluminum electrolytic capacitors.

### Highlights

- 9 mm thin
- Very high energy density (up to .9 J/cc)
- 3000 hr life @ 105 °C
- REACH and RoHS Compliant

### Specifications

<b>Temperature Range</b>	-55 °C to +105 °C ≤300 Vdc; -40 °C to 105 °C ≥350 Vdc																																																																																															
<b>Rated Voltage Range</b>	10 Vdc to 450 Vdc																																																																																															
<b>Capacitance Range</b>	60 µF to 18000 µF																																																																																															
<b>Capacitance Tolerance</b>	±20%																																																																																															
<b>Leakage Current</b>	≤ 0.002 CV µA, @ 25 °C and 5 mins. at rated voltage																																																																																															
<b>Ripple Current Multipliers</b>	<table border="1"> <thead> <tr> <th colspan="8">Temperature Multipliers</th> </tr> <tr> <th>Temp</th> <th>45</th> <th>55</th> <th>65</th> <th>75</th> <th>85</th> <th>95</th> <th>105</th> </tr> </thead> <tbody> <tr> <td><b>0-300 VDC</b></td> <td>1.40</td> <td>1.30</td> <td>1.20</td> <td>1.10</td> <td>1.00</td> <td>0.60</td> <td>0.20</td> </tr> <tr> <td><b>301-450 VDC</b></td> <td>1.30</td> <td>1.25</td> <td>1.15</td> <td>1.10</td> <td>1.00</td> <td>0.60</td> <td>0.20</td> </tr> </tbody> </table> <table border="1"> <thead> <tr> <th colspan="5">Ambient Air Temperature Multipliers (No heat sink)</th> </tr> </thead> <tbody> <tr> <td><b>Air Velocity m/sec</b></td> <td>0.25</td> <td>1.00</td> <td>2.50</td> <td>5.00</td> </tr> <tr> <td><b>Ripple Current Multiplier</b></td> <td>1.00</td> <td>1.20</td> <td>1.50</td> <td>1.70</td> </tr> </tbody> </table> <table border="1"> <thead> <tr> <th colspan="8">Frequency Multipliers</th> </tr> <tr> <th>Rated Vdc/Freq</th> <th>50</th> <th>60</th> <th>120</th> <th>360</th> <th>1000</th> <th>5000</th> <th>20000</th> </tr> </thead> <tbody> <tr> <td><b>10-35</b></td> <td>0.72</td> <td>0.77</td> <td>1.00</td> <td>1.06</td> <td>1.06</td> <td>1.10</td> <td>1.10</td> </tr> <tr> <td><b>36-60</b></td> <td>0.70</td> <td>0.75</td> <td>1.00</td> <td>1.06</td> <td>1.10</td> <td>1.20</td> <td>1.20</td> </tr> <tr> <td><b>61-100</b></td> <td>0.70</td> <td>0.75</td> <td>1.00</td> <td>1.06</td> <td>1.10</td> <td>1.30</td> <td>1.30</td> </tr> <tr> <td><b>101-450</b></td> <td>0.70</td> <td>0.75</td> <td>1.00</td> <td>1.20</td> <td>1.45</td> <td>1.70</td> <td>1.70</td> </tr> </tbody> </table>	Temperature Multipliers								Temp	45	55	65	75	85	95	105	<b>0-300 VDC</b>	1.40	1.30	1.20	1.10	1.00	0.60	0.20	<b>301-450 VDC</b>	1.30	1.25	1.15	1.10	1.00	0.60	0.20	Ambient Air Temperature Multipliers (No heat sink)					<b>Air Velocity m/sec</b>	0.25	1.00	2.50	5.00	<b>Ripple Current Multiplier</b>	1.00	1.20	1.50	1.70	Frequency Multipliers								Rated Vdc/Freq	50	60	120	360	1000	5000	20000	<b>10-35</b>	0.72	0.77	1.00	1.06	1.06	1.10	1.10	<b>36-60</b>	0.70	0.75	1.00	1.06	1.10	1.20	1.20	<b>61-100</b>	0.70	0.75	1.00	1.06	1.10	1.30	1.30	<b>101-450</b>	0.70	0.75	1.00	1.20	1.45	1.70	1.70
Temperature Multipliers																																																																																																
Temp	45	55	65	75	85	95	105																																																																																									
<b>0-300 VDC</b>	1.40	1.30	1.20	1.10	1.00	0.60	0.20																																																																																									
<b>301-450 VDC</b>	1.30	1.25	1.15	1.10	1.00	0.60	0.20																																																																																									
Ambient Air Temperature Multipliers (No heat sink)																																																																																																
<b>Air Velocity m/sec</b>	0.25	1.00	2.50	5.00																																																																																												
<b>Ripple Current Multiplier</b>	1.00	1.20	1.50	1.70																																																																																												
Frequency Multipliers																																																																																																
Rated Vdc/Freq	50	60	120	360	1000	5000	20000																																																																																									
<b>10-35</b>	0.72	0.77	1.00	1.06	1.06	1.10	1.10																																																																																									
<b>36-60</b>	0.70	0.75	1.00	1.06	1.10	1.20	1.20																																																																																									
<b>61-100</b>	0.70	0.75	1.00	1.06	1.10	1.30	1.30																																																																																									
<b>101-450</b>	0.70	0.75	1.00	1.20	1.45	1.70	1.70																																																																																									
<b>Low Temperature Characteristics</b>	Impedance ratio: $Z_{-55\text{ }^\circ\text{C}}/Z_{+25\text{ }^\circ\text{C}}$ @120 Hz ≤10 (5 - 20 Vdc), ≤3 (25 - 300 Vdc) $Z_{-40\text{ }^\circ\text{C}}/Z_{+25\text{ }^\circ\text{C}}$ @120 Hz ≤10 (≥350 Vdc)																																																																																															
<b>DC Life Test</b>	3000 h @ rated voltage at 105 °C Δ Capacitance ±20% (<50 Vdc) Δ Capacitance ±10% (≥50 Vdc) ESR 200% of limit DCL 100% of limit																																																																																															
<b>Shelf Life Test</b>	5 yrs @ 40 °C Capacitance 100% of limit ESR 100% of limit DCL ≤ 0.004 CV µA																																																																																															

# Type THAS, ThinPack, Aluminum Electrolytic Capacitor, 105 °C

<b>Vibration</b> <i>Mounting: Vibration capability is dependent upon mounting restraint.</i>	<b>MIL-STD-202, Meth. 204, Sine Swept, IEC 60068-2-6</b> All Sizes = 10g MIL-STD-202, Meth. 204, Condition H																																		
<b>Vibration Test</b>	<p><b>Level</b>                  The specimens, while deenergized or operating under the load conditions specified, shall be subjected to the vibration amplitude, frequency range, and duration specified for each case size.</p> <p><b>Amplitude</b>                  The specimens shall be subjected to a simple harmonic motion having an amplitude of either 0.06-inch double amplitude (maximum total excursion) or peak level specified above, whichever is less. The tolerance on vibration amplitude shall be ±10 percent.</p> <p><b>Frequency Range</b>                  The vibration frequency shall be varied logarithmically between the approximate limits of 10 to 2,000 Hz.</p> <p><b>Sweep Time and Duration</b>                  The entire frequency range of 10 to 2,000 Hz and return to 10 Hz shall be traversed in 20 minutes. This cycle shall be performed 12 times in each of three mutually perpendicular directions (total of 36 times), so that the motion shall be applied for a total period of approximately 12 hours. Interruptions are permitted provided the requirements for rate of change and test duration are met.</p>																																		
<b>Thermal Resistance</b>	<table border="1" style="width: 100%; border-collapse: collapse;"> <thead> <tr> <th colspan="2"></th> <th colspan="4" style="text-align: center;"><b>Thermal Resistance (°C/W) by Case Length</b></th> </tr> <tr> <th style="text-align: center;"><b># of Sides heatsinked</b></th> <th style="text-align: center;"><b>Insulation</b></th> <th style="text-align: center;"><b>36.4 (mm)</b></th> <th style="text-align: center;"><b>45.9 (mm)</b></th> <th style="text-align: center;"><b>53.8 (mm)</b></th> <th style="text-align: center;"><b>66.5 (mm)</b></th> </tr> </thead> <tbody> <tr> <td rowspan="2" style="text-align: center;"><b>One Side</b></td> <td style="text-align: center;">Bare can</td> <td style="text-align: center;">6.60</td> <td style="text-align: center;">5.20</td> <td style="text-align: center;">4.44</td> <td style="text-align: center;">3.60</td> </tr> <tr> <td style="text-align: center;">Polyester</td> <td style="text-align: center;">7.78</td> <td style="text-align: center;">6.13</td> <td style="text-align: center;">5.24</td> <td style="text-align: center;">4.24</td> </tr> <tr> <td rowspan="2" style="text-align: center;"><b>Both Sides</b></td> <td style="text-align: center;">Bare can</td> <td style="text-align: center;">4.95</td> <td style="text-align: center;">3.87</td> <td style="text-align: center;">3.30</td> <td style="text-align: center;">2.66</td> </tr> <tr> <td style="text-align: center;">Polyester</td> <td style="text-align: center;">5.54</td> <td style="text-align: center;">4.34</td> <td style="text-align: center;">3.70</td> <td style="text-align: center;">2.98</td> </tr> </tbody> </table>			<b>Thermal Resistance (°C/W) by Case Length</b>				<b># of Sides heatsinked</b>	<b>Insulation</b>	<b>36.4 (mm)</b>	<b>45.9 (mm)</b>	<b>53.8 (mm)</b>	<b>66.5 (mm)</b>	<b>One Side</b>	Bare can	6.60	5.20	4.44	3.60	Polyester	7.78	6.13	5.24	4.24	<b>Both Sides</b>	Bare can	4.95	3.87	3.30	2.66	Polyester	5.54	4.34	3.70	2.98
		<b>Thermal Resistance (°C/W) by Case Length</b>																																	
<b># of Sides heatsinked</b>	<b>Insulation</b>	<b>36.4 (mm)</b>	<b>45.9 (mm)</b>	<b>53.8 (mm)</b>	<b>66.5 (mm)</b>																														
<b>One Side</b>	Bare can	6.60	5.20	4.44	3.60																														
	Polyester	7.78	6.13	5.24	4.24																														
<b>Both Sides</b>	Bare can	4.95	3.87	3.30	2.66																														
	Polyester	5.54	4.34	3.70	2.98																														
<b>Typical Weight</b>	Case AA - 19g, Case AB - 22g, Case AC - 26g, Case AD - 34g																																		
<b>Terminals</b>	20 AWG copper wire with tin electroplate, 15 amps max																																		
<b>Case Material</b>	Aluminum with a Stainless Steel Sleeve																																		
<b>Ripple Current Capability</b>	The max ripple current capability is set by the target core temperature of 105 °C. The Peak to Peak ac must be less than Vr/5 max.																																		
<b>Air Cooled</b>	The ripple currents in the ratings tables are for 85 °C ambient temperatures.																																		
<b>Heatsink Cooled</b>	Temperature rise from the hottest internal spot, the core, to ambient air is  $\Delta T = I^2(\text{Max ESR})(\theta_{cc} + \theta_{ca})$ , recommended max $\Delta T$ of 20 °C where $\theta_{cc}$ is the thermal resistance from core to case and $\theta_{ca}$ from case to ambient. To calculate maximum ripple capability with the THAS attached to a heatsink use the maximum core temperature and the values for $\theta_{cc}$ .																																		
<b>Example</b>	As an illustration, suppose you operate an noninsulated THAS112M060AA0C in 85 °C air and attach it to a commercial heatsink with a free-air thermal resistance of 2.7 °C/W. Use a good thermal grease between the capacitor and the heatsink, and the total thermal resistance is 2.7 + 6.6 or 9.3 °C/W. The power which would heat the core to 105 °C is (105 - 85)/9.3 or 2.15 W. For an ESR of 117 mΩ, 2.15 W equates to a ripple current of 4.28 A.																																		

# Type THAS, ThinPack, Aluminum Electrolytic Capacitor, 105 °C

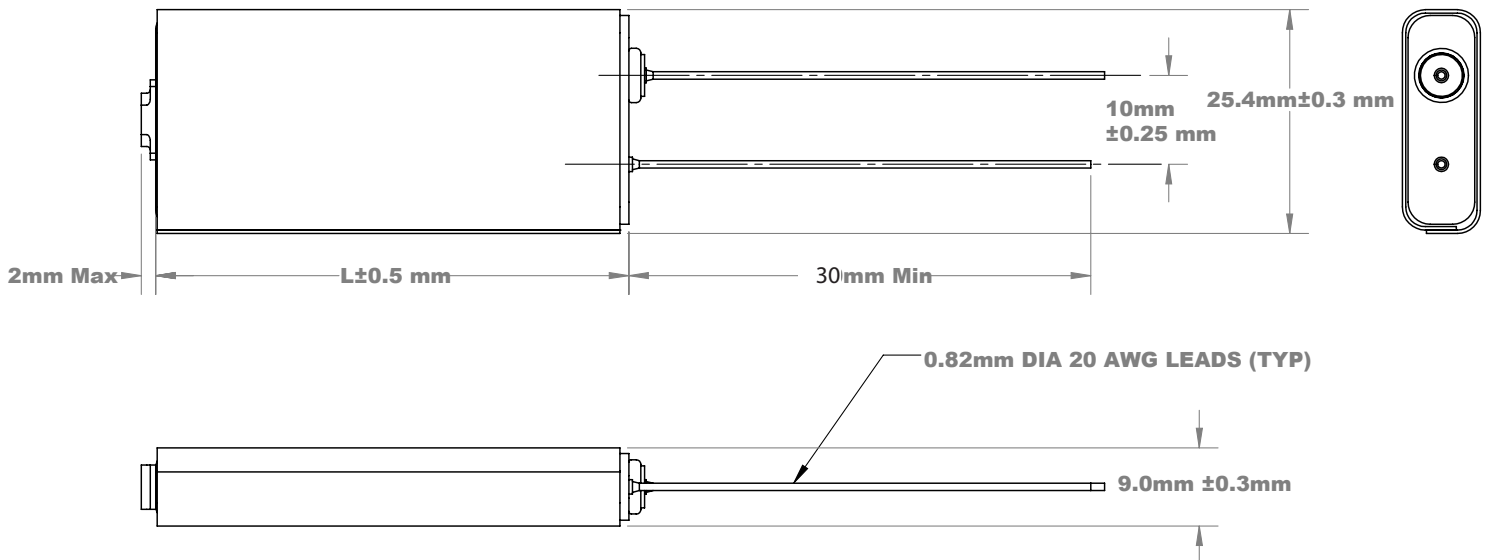
## Part Numbering System

THAS	412	M	025	AA	0	C
Type	Capacitance	Tolerance	Rated Voltage	Case Code	Insulation	Mounting Style
THAS	322 = 3200 $\mu$ F 222 = 2200 $\mu$ F 162 = 1600 $\mu$ F	M = $\pm$ 20%	025 = 25 Vdc 075 = 75 Vdc 150 = 150 Vdc 200 = 200 Vdc	AA = 36.4 mm AB = 45.9 mm AC = 53.8 mm AD = 66.5 mm	0 = bare can 1 = polywrap	C = two leads

## Outline Drawing

Note: The polyester tape wrap may add up to 0.020 inches to the thickness and width of the capacitor.

### Style C: No Tabs



# Type THAS, ThinPack, Aluminum Electrolytic Capacitor, 105 °C

## Ratings

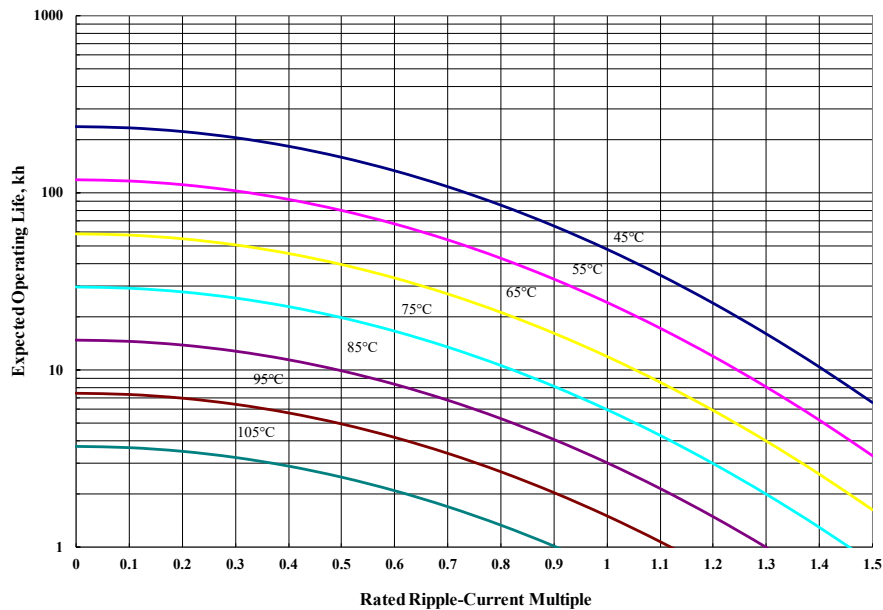
Voltage	Cap (µF)	Catalog Part Number	Length (L)	ESR max 25 °C (Ω)		Ripple (A) Case @ 85 °C	
				120 Hz	20 kHz	120 Hz	20 kHz
<b>10 Vdc @ 105 °C</b> <b>12 Vdc Surge @ 25 °C</b>	8500	THAS852M010AA0C	36.4	0.12	0.09	2.00	2.20
	11000	THAS113M010AB0C	45.9	0.08	0.07	2.00	2.20
	14000	THAS143M010AC0C	53.8	0.07	0.06	2.60	2.86
	18000	THAS183M010AD0C	66.5	0.05	0.04	3.50	3.85
<b>16 Vdc @ 105 °C</b> <b>19.2 Vdc Surge @ 25 °C</b>	5900	THAS592M016AA0C	36.4	0.12	0.09	2.00	2.20
	8200	THAS822M016AB0C	45.9	0.08	0.07	2.20	2.42
	10000	THAS103M016AC0C	53.8	0.07	0.06	2.60	2.86
	13000	THAS133M016AD0C	66.5	0.05	0.04	3.50	3.85
<b>20 Vdc @ 105 °C</b> <b>24 Vdc Surge @ 25 °C</b>	5000	THAS502M020AA0C	36.4	0.12	0.09	2.00	2.20
	7000	THAS702M020AB0C	45.9	0.08	0.07	2.20	2.42
	8200	THAS822M020AC0C	53.8	0.07	0.06	2.60	2.86
	10000	THAS103M020AD0C	66.5	0.05	0.04	3.50	3.85
<b>25 Vdc @ 105 °C</b> <b>30 Vdc Surge @ 25 °C</b>	3500	THAS352M025AA0C	36.4	0.12	0.09	2.00	2.20
	4900	THAS492M025AB0C	45.9	0.08	0.07	2.60	2.86
	6000	THAS602M025AC0C	53.8	0.07	0.06	2.50	2.75
	7800	THAS782M025AD0C	66.5	0.05	0.04	3.10	3.41
<b>30 Vdc @ 105 °C</b> <b>36 Vdc Surge @ 25 °C</b>	2900	THAS292M030AA0C	36.4	0.12	0.09	2.00	2.20
	4100	THAS412M030AB0C	45.9	0.08	0.07	2.60	2.86
	5000	THAS502M030AC0C	53.8	0.07	0.06	3.00	3.30
	6500	THAS652M030AD0C	66.5	0.05	0.04	3.50	3.85
<b>35 Vdc @ 105 °C</b> <b>42 Vdc Surge @ 25 °C</b>	2500	THAS252M035AA0C	36.4	0.12	0.09	2.00	2.20
	3500	THAS352M035AB0C	45.9	0.08	0.07	2.60	2.86
	4300	THAS432M035AC0C	53.8	0.07	0.06	3.00	3.30
	5600	THAS562M035AD0C	66.5	0.05	0.04	3.60	3.96
<b>40 Vdc @ 105 °C</b> <b>48 Vdc Surge @ 25 °C</b>	2100	THAS212M040AA0C	36.4	0.12	0.09	1.70	2.04
	3000	THAS302M040AB0C	45.9	0.08	0.07	2.20	2.64
	3700	THAS372M040AC0C	53.8	0.07	0.06	2.50	3.00
	4800	THAS482M040AD0C	66.5	0.05	0.04	3.10	3.72
<b>50 Vdc @ 105 °C</b> <b>60 Vdc Surge @ 25 °C</b>	1400	THAS142M050AA0C	36.4	0.12	0.09	1.70	2.04
	2000	THAS202M050AB0C	45.9	0.08	0.07	2.20	2.64
	2500	THAS252M050AC0C	53.8	0.07	0.06	2.50	3.00
	3200	THAS322M050AD0C	66.5	0.05	0.04	2.90	3.48
<b>60 Vdc @ 105 °C</b> <b>72 Vdc Surge @ 25 °C</b>	1100	THAS112M060AA0C	36.4	0.12	0.09	1.70	2.04
	1600	THAS162M060AB0C	45.9	0.08	0.07	2.20	2.64
	2000	THAS202M060AC0C	53.8	0.07	0.06	2.50	3.00
	2600	THAS262M060AD0C	66.5	0.05	0.04	3.10	3.72
<b>75 Vdc @ 105 °C</b> <b>90 Vdc Surge @ 25 °C</b>	680	THAS681M075AA0C	36.4	0.29	0.19	1.10	1.43
	940	THAS941M075AB0C	45.9	0.21	0.14	1.40	1.82
	1100	THAS112M075AC0C	53.8	0.17	0.11	1.60	2.08
	1500	THAS152M075AD0C	66.5	0.13	0.09	2.00	2.60
<b>100 Vdc @ 105 °C</b> <b>120 Vdc Surge @ 25 °C</b>	310	THAS311M100AA0C	36.4	0.29	0.19	1.10	1.43
	430	THAS431M100AB0C	45.9	0.21	0.14	1.40	1.82
	530	THAS531M100AC0C	53.8	0.17	0.11	1.60	2.08
	690	THAS691M100AD0C	66.5	0.13	0.09	2.00	2.60

# Type THAS, ThinPack, Aluminum Electrolytic Capacitor, 105 °C

Voltage	Cap (µF)	Catalog Part Number	Length (L)	ESR max 25 °C (Ω)		Ripple (A) Case @ 85 °C	
				120 Hz	20 kHz	120 Hz	20 kHz
<b>150 Vdc @ 105 °C</b> <b>180 Vdc Surge @ 25 °C</b>	230	THAS231M150AA0C	36.4	0.80	0.40	0.60	1.02
	320	THAS321M150AB0C	45.9	0.58	0.29	0.80	1.36
	400	THAS401M150AC0C	53.8	0.47	0.24	1.00	1.70
	520	THAS521M150AD0C	66.5	0.37	0.18	1.20	2.04
<b>200 Vdc @ 105 °C</b> <b>240 Vdc Surge @ 25 °C</b>	120	THAS121M200AA0C	36.4	0.90	0.45	0.60	1.02
	170	THAS171M200AB0C	45.9	0.65	0.33	0.80	1.36
	210	THAS211M200AC0C	53.8	0.53	0.27	0.90	1.53
	270	THAS271M200AD0C	66.5	0.41	0.21	1.10	1.87
<b>250 Vdc @ 105 °C</b> <b>300 Vdc Surge @ 25 °C</b>	110	THAS111M250AA0C	36.4	0.90	0.45	0.60	1.02
	150	THAS151M250AB0C	45.9	0.65	0.33	0.80	1.36
	190	THAS191M250AC0C	53.8	0.53	0.27	0.90	1.53
	250	THAS251M250AD0C	66.5	0.41	0.21	1.10	1.87
<b>300 Vdc @ 105 °C</b> <b>350 Vdc Surge @ 25 °C</b>	90	THAS900M300AA0C	36.4	0.90	0.45	0.60	1.02
	130	THAS131M300AB0C	45.9	0.65	0.33	0.80	1.36
	160	THAS161M300AC0C	53.8	0.53	0.27	0.90	1.53
	200	THAS201M300AD0C	66.5	0.41	0.21	1.10	1.87
<b>350 Vdc @ 105 °C</b> <b>400 Vdc Surge @ 25 °C</b>	80	THAS800M350AA0C	36.4	2.45	1.18	0.60	1.02
	110	THAS111M350AB0C	45.9	1.78	0.85	0.60	1.02
	130	THAS131M350AC0C	53.8	1.45	0.70	0.70	1.19
	170	THAS171M350AD0C	66.5	1.12	0.54	0.80	1.36
<b>400 Vdc @ 105 °C</b> <b>450 Vdc Surge @ 25 °C</b>	70	THAS700M400AA0C	36.4	2.45	1.18	0.60	1.02
	90	THAS900M400AB0C	45.9	1.78	0.85	0.60	1.02
	110	THAS111M400AC0C	53.8	1.45	0.70	0.70	1.19
	140	THAS141M400AD0C	66.5	1.12	0.54	0.80	1.36
<b>450 Vdc @ 105 °C</b> <b>500 Vdc Surge @ 25 °C</b>	60	THAS600M450AA0C	36.4	2.45	1.18	0.60	1.02
	80	THAS800M450AB0C	45.9	1.78	0.85	0.60	1.02
	100	THAS101M450AC0C	53.8	1.45	0.70	0.70	1.19
	130	THAS131M450AD0C	66.5	1.12	0.54	0.80	1.36

## Typical Performance Curves

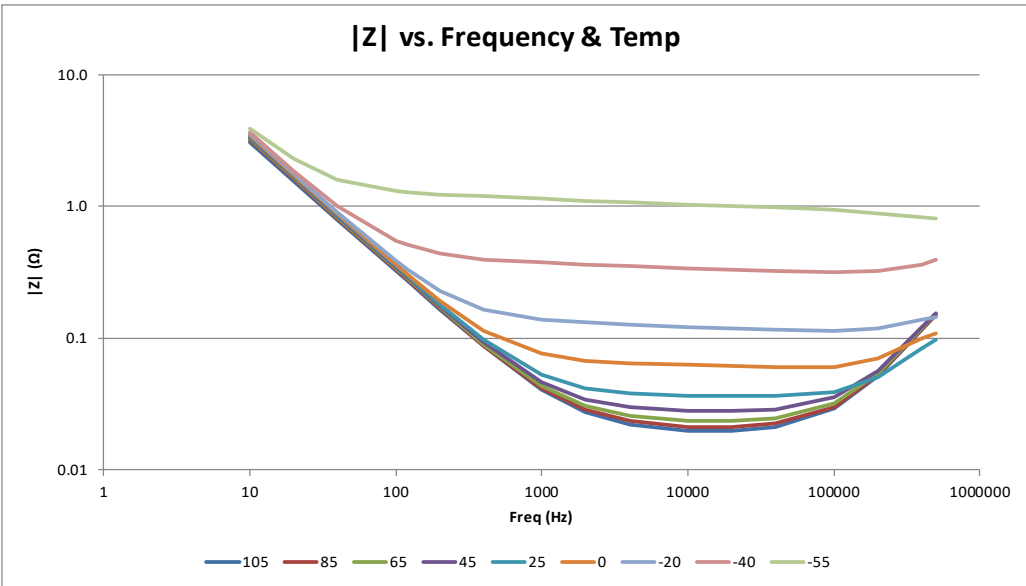
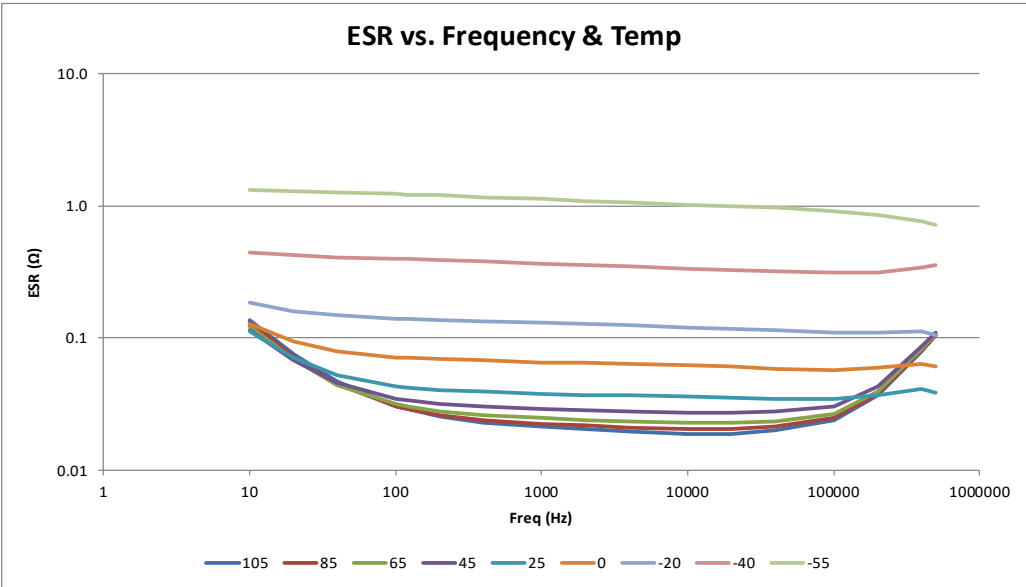
Type THAS Operating Life in Kilohours vs Ripple Current



# Type THAS, ThinPack, Aluminum Electrolytic Capacitor, 105 °C

## Typical Performance Curves

THAS502M020AA0C



**Notice and Disclaimer:** All product drawings, descriptions, specifications, statements, information and data (collectively, the "Information") in this datasheet or other publication are subject to change. The customer is responsible for checking, confirming and verifying the extent to which the Information contained in this datasheet or other publication is applicable to an order at the time the order is placed. All Information given herein is believed to be accurate and reliable, but it is presented without any guarantee, warranty, representation or responsibility of any kind, expressed or implied. Statements of suitability for certain applications are based on the knowledge that the Cornell Dubilier company providing such statements ("Cornell Dubilier") has of operating conditions that such Cornell Dubilier company regards as typical for such applications, but are not intended to constitute any guarantee, warranty or representation regarding any such matter – and Cornell Dubilier specifically and expressly disclaims any guarantee, warranty or representation concerning the suitability for a specific customer application, use, storage, transportation, or operating environment. The Information is intended for use only by customers who have the requisite experience and capability to determine the correct products for their application. Any technical advice inferred from this Information or otherwise provided by Cornell Dubilier with reference to the use of any Cornell Dubilier products is given gratis (unless otherwise specified by Cornell Dubilier), and Cornell Dubilier assumes no obligation or liability for the advice given or results obtained. Although Cornell Dubilier strives to apply the most stringent quality and safety standards regarding the design and manufacturing of its products, in light of the current state of the art, isolated component failures may still occur. Accordingly, customer applications which require a high degree of reliability or safety should employ suitable designs or other safeguards (such as installation of protective circuitry or redundancies or other appropriate protective measures) in order to ensure that the failure of an electrical component does not result in a risk of personal injury or property damage. Although all product-related warnings, cautions and notes must be observed, the customer should not assume that all safety measures are indicated in such warnings, cautions and notes, or that other safety measures may not be required.