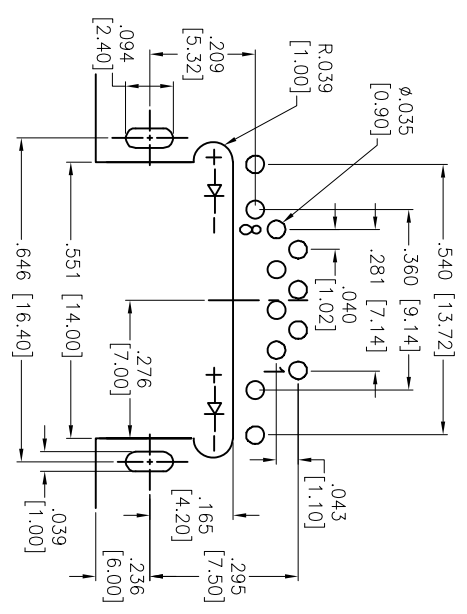
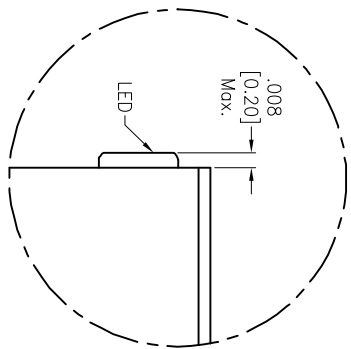
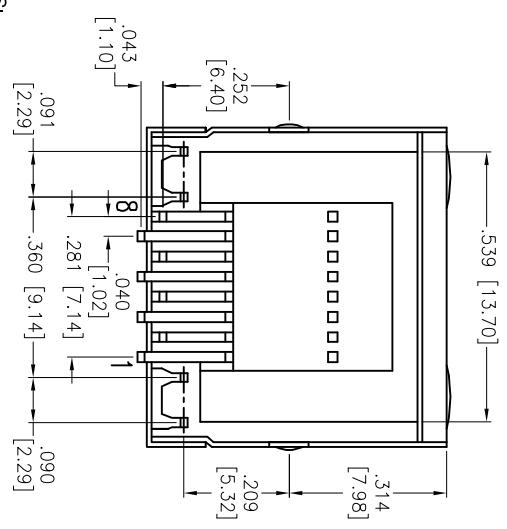
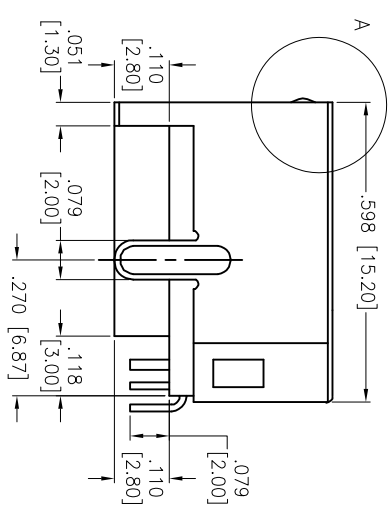
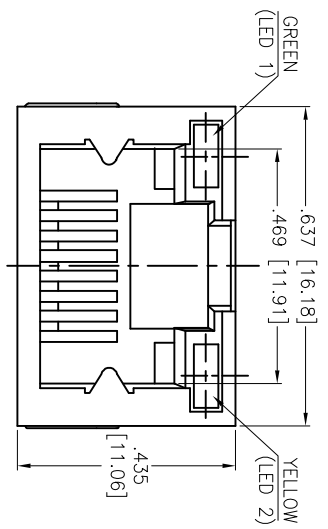


Rev	AWO #	Description	Date	Appr
-		RELEASED	12/20/11	

APPROVED: \_\_\_\_\_  
 DATE: \_\_\_\_\_ TITLE: \_\_\_\_\_



Detail A

RECOMMENDED PCB LAYOUT

X	PLATING
0	15 µm Gold
1	30 µm Gold
2	50 µm Gold

UNLESS OTHERWISE SPECIFIED  
 ALL DIMENSIONS ARE INCHES [MM]  
 TOLERANCES: EXCEPT AS NOTED  
 INCHES ± .10 Ø.XX ± .015  
 .XX ± .020 Ø.XXX ± .010  
 .XXX ± .015 Ø.XXXX ± .010

**ADAM TECH**  
 909 Rahway Avenue, Union, NJ 07083  
 Phone: 908-687-5000 Fax: 908-687-5710

**SPECIFICATIONS:**  
 Material: Insulator: Nylon46, rated UL 94V-0  
 Insulator color: Black  
 Contacts: Phosphor Bronze  
 Shield: Copper Alloy, Nickel plated  
 Contact Plating: Gold Flash over Nickel underplate on contact area, Tin over Copper underplate on tails.  
 (See chart for thickness).  
 Electrical:  
 Operating voltage: 125 VAC max  
 Current rating: 1.5 Amps max  
 Contact Resistance: 35 mohms max. initial  
 Insulation resistance: 1,000 Mohms min  
 Dielectric withstanding voltage: 1,000 VAC for 1 minut  
 Temperature Rating: Operating temperature: -40°C to +85°C  
 Environmental: Lead free, RoHS compliant.  
 Recommended soldering temp: 260°C for 5 sec.

APPROVALS	DATE
DRAWN TW	12/20/11
CHECKED AY	12/20/11
APPROVED	

TITLE	SIZE	PART NO.	REV.
MODULAR JACK GANGED, 1 PORT, 8P8C W/LED 1 GREEN, LED2 YELLOW	X	MTJ-88CPX1D-FS-LHHT	

REF:	SCALE:	SHEET	1 OF 1
S00065T	NIS		

