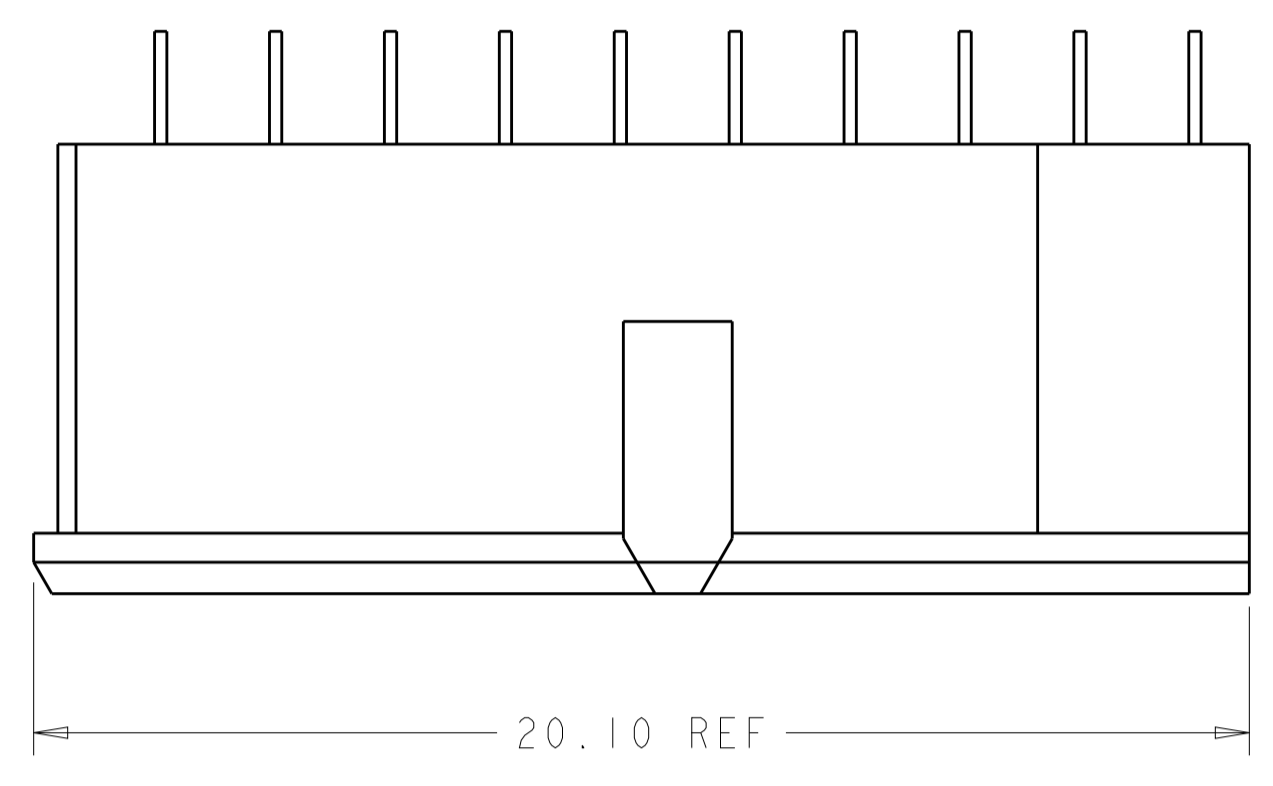
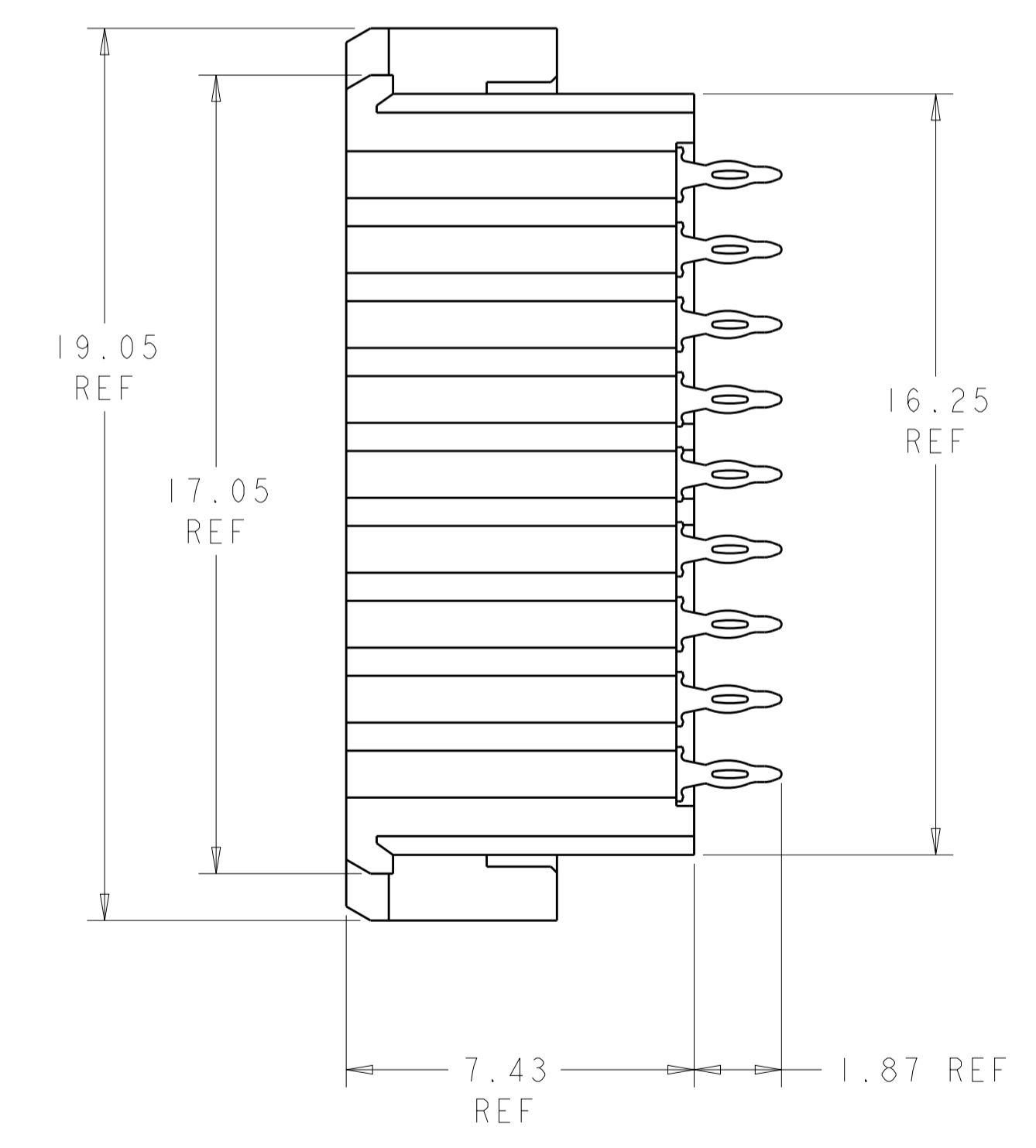
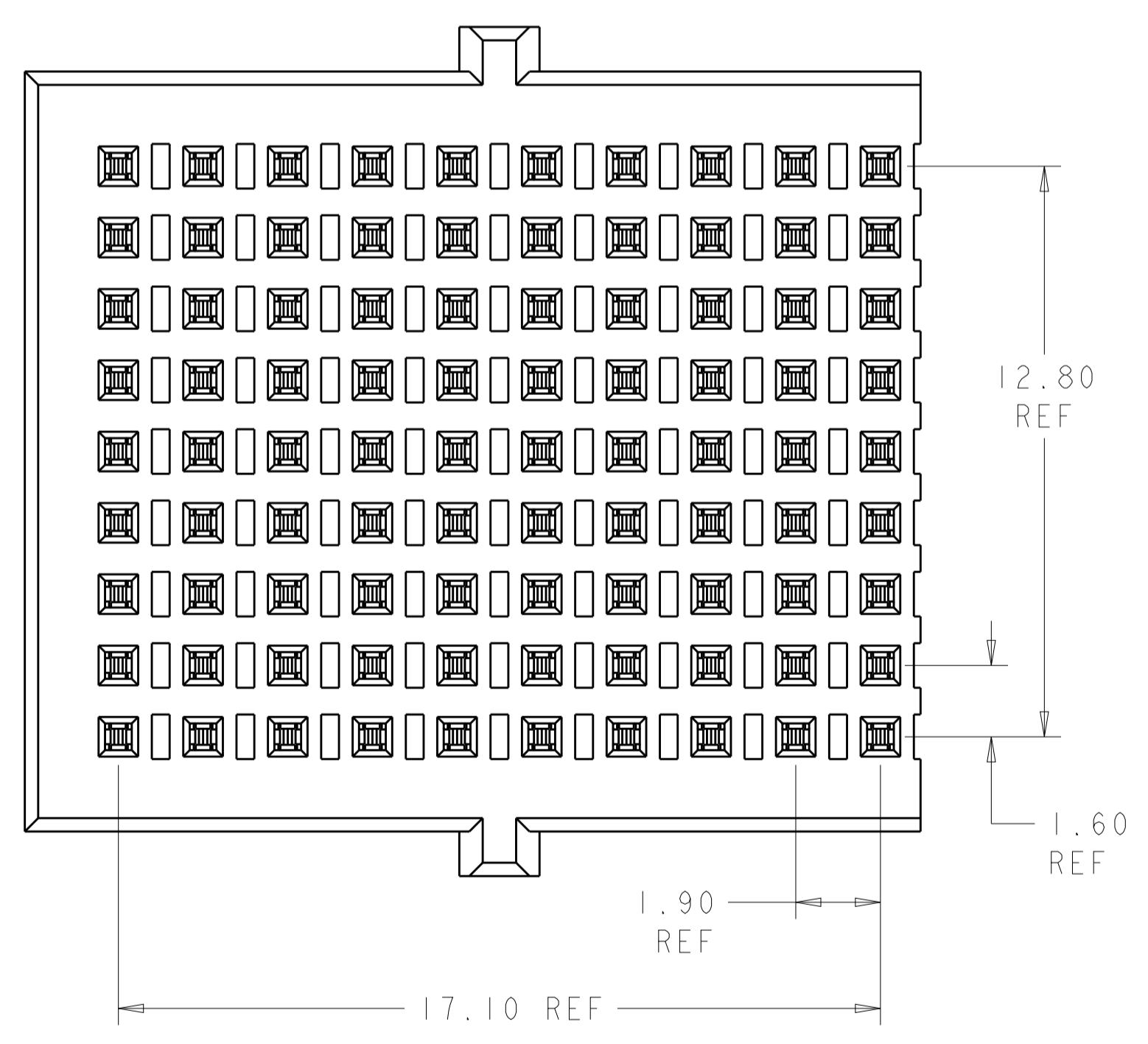


LOC		DIST		REVISIONS			
P	LTN	DESCRIPTION	DATE	DWN	APVD		
B		REV PER ECO 12-010940	7-31-12	CT	DH		
C		ECO-13-004755	26MAR2013	KG	DH		
D		ECO-14-017030	25NOV2014	MGM	CT		



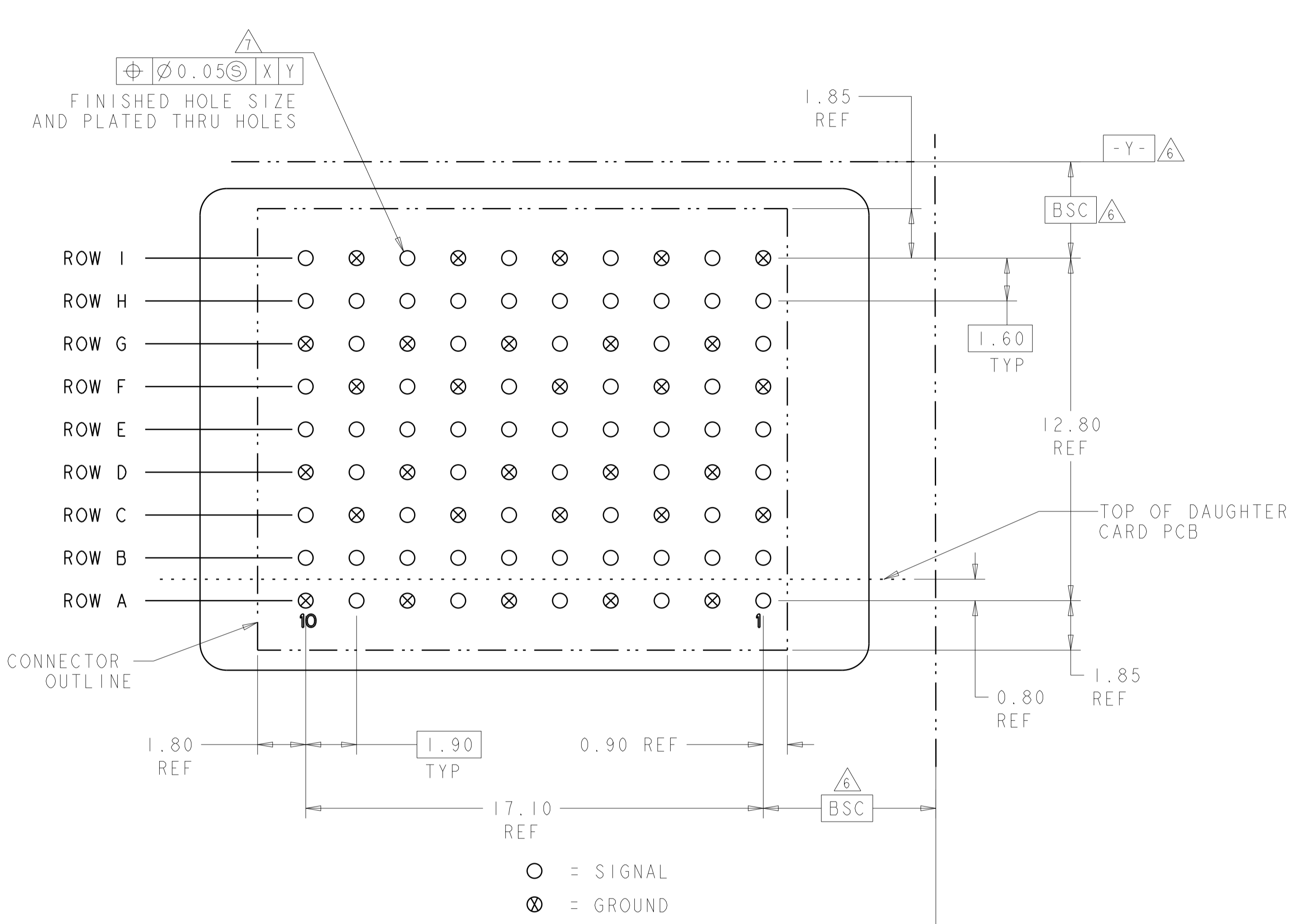
- 1 MATERIAL:  
CONTACT - COPPER ALLOY  
HOUSING - LCP, COLOR - BLACK
- 2 FINISH:  
MATING AREA: 1.27µm MIN GOLD OVER  
1.27µm MIN NICKEL
- 3 FINISH:  
COMPLIANT PIN AREA: 0.38µm MIN BRIGHT TIN LEAD  
OVER 1.27µm MIN NICKEL
- 4 FINISH:  
COMPLIANT PIN AREA: 0.38µm MIN MATTE TIN  
OVER 1.27µm MIN NICKEL
- 5 ---
- 6 DATUMS AND BASIC DIMENSIONS ESTABLISHED BY CUSTOMER.
- 7 REFERENCE APPLICATION SPEC 114-13267 FOR RECOMMENDED  
PLATING THRU HOLE DIAMETER AND PLATING THICKNESS.



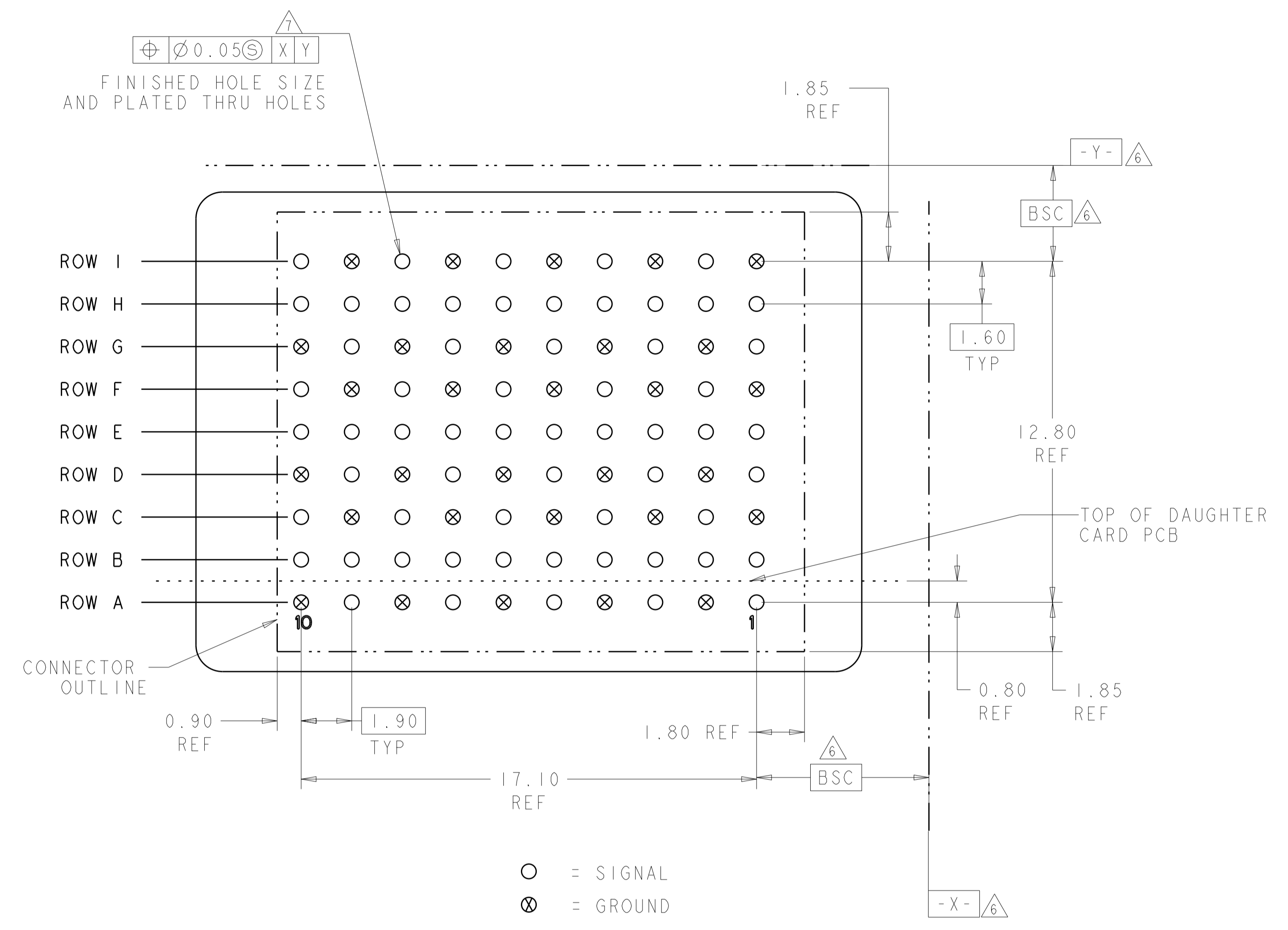
2 4	2000895-2
2 3	2000895-1
FINISH	PART NUMBER

THIS DRAWING IS A CONTROLLED DOCUMENT. DIMENSIONING AND TOLERANCING PER GPS (ISO STANDARDS).		DWN: D. BELACK 24JUN2009	TE Connectivity NAME: Fortis Zd. 10-COLUMN, 3-PAIR, VERTICAL END MODULE ASSEMBLY
DIMENSIONS: mm		CHK: A. TSANG 6-24-2009	
TOLERANCES UNLESS OTHERWISE SPECIFIED:		APVD: M. McALONIS 6-24-2009	PRODUCT SPEC: 108-2409
0 PLC	±	APPLICATION SPEC: 114-13267	SIZE: CAGE CODE: DRAWING NO: RESTRICTED TO
1 PLC	±0.13	WEIGHT: ~ 8weight1.2	SCALE: 8:1 SHEET 1 OF 2 REV D
2 PLC	±0.05	Customer Drawing	
3 PLC	±		
4 PLC	±		
ANGLES	±2°		
FINISH	-		

LOC	DIST	REV	DESCRIPTION	DATE	DWN	APVD
-	-	-	SEE SHEET 1	-	-	-



RECOMMENDED DIFFERENTIAL PAIR PC BOARD LAYOUT 1  
 COMPONENT SIDE SHOWN  
 SCALE 8:1



RECOMMENDED DIFFERENTIAL PAIR PC BOARD LAYOUT 2  
 COMPONENT SIDE SHOWN  
 SCALE 8:1

THIS DRAWING IS A CONTROLLED DOCUMENT. DIMENSIONING AND TOLERANCING PER QPS (ISO STANDARDS).		DWN: D. BELACK 24JUN2009	TE Connectivity
DIMENSIONS: mm		CHK: A. TSANG 6-24-2009	
TOLERANCES UNLESS OTHERWISE SPECIFIED:		APVD: M. McALONIS 6-24-2009	NAME: Fortis Zd. 10-COLUMN, 3-PAIR, VERTICAL END MODULE ASSEMBLY
0 PLC ±0.13		PRODUCT SPEC: 108-2409	
1 PLC ±0.05		APPLICATION SPEC: 114-13267	SIZE: CAGE CODE DRAWING NO: RESTRICTED TO:
2 PLC ±0.05		WEIGHT: 8weight1.2	
3 PLC ±0.05		Customer Drawing	SCALE: 8:1 SHEET 2 OF 2 REV D
4 PLC ±0.05			
ANGLES ±2°			
FINISH			