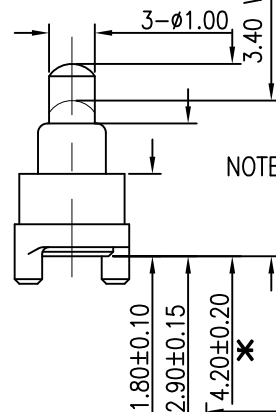
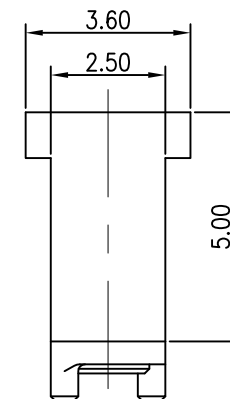
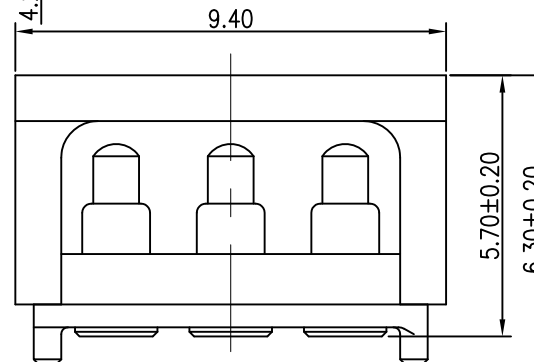


RECOMMEND PCB LAYOUT  
Layout Tolerance:  $\pm 0.05\text{mm}$



NOTES: ALL DIMENSIONS AND NOTES  
MARKED \* ARE CRITICAL AND  
MUST BE CHECKED IN ACCORDANCE  
WITH QUALITY DOC. QI-02A



## NOTES:

- Materials:
  - .Housing&Cap: Black HTN(UL94V-0)
  - .Plunger: Brass C3604
  - .Barrel: Brass C3604
  - .Spring: SUS304
- Plating:
  - .Contact Surface: 10 micro-inch minimum Au over 50~100 micro-inch Ni.
- Electrical
  - .Rated Current & Voltage: DC 50V; 1A
  - .Contact Resistance: 50 mohm maximum at Working Height(Quiescence)
- Mechanical
  - .Spring Force: 120g $\pm 20\%$  at Normal Working Height
  - .Durability: 10,000 cycles(minimum)
- .When the current is greater than 1A then need to increase the time delay circuit(3 second)
- .To ensure the best usage, please operate it based on the working Height.
  - .Based on the Engineering Drawings, shall not exceed the maximum allowed compression.
- .RoHs and HF compliant product.
- .Operation temperature at  $-40^{\circ}\text{C}$  to  $+105^{\circ}\text{C}$ .

Leo	4	23.04.14	A427
Leo	3	13.11.13	A419
Allan	2	28.02.08	A113
Allan	1	01.08.06	-
NAME	ISS.	DATE	C/NOTE

APPROVED: B.Lim

CHECKED: D.P

DRAWN: Leo

CUSTOMER REF.:

ASSEMBLY DRG:

# HARWIN

HARWIN USA  
TEL: 603 893 5376  
FAX: 603 893 5396  
mis@harwin.com

HARWIN Europe (UK)  
TEL: 023 9231 4545  
FAX: 023 9231 4590  
mis@harwin.co.uk

HARWIN Asia  
TEL: +65 6 779 4909  
FAX: +65 6 779 3868  
mis@harwin.com.sg

THIS DRAWING AND ANY  
INFORMATION OR DESCRIPTIVE  
MATTER SET OUT HEREON ARE  
CONFIDENTIAL AND COPYRIGHT  
PROPERTY OF THE HARWIN  
GROUP AND MUST NOT BE  
DISCLOSED, LOANED, COPIED  
OR USED FOR MANUFACTURING,  
TENDERING OR FOR ANY  
OTHER PURPOSE WITHOUT  
THEIR WRITTEN PERMISSION.

TOLERANCES  
0~6.0 =  $\pm 0.05\text{mm}$   
>6~30 =  $\pm 0.10\text{mm}$   
>30~120 =  $\pm 0.15\text{mm}$   
X. =  $\pm 2^{\circ}$   
X.X =  $\pm 1^{\circ}$   
X.XX =  $\pm 0.5^{\circ}$   
UNLESS STATED

MATERIAL: SEE NOTES  
FINISH: SEE NOTES  
S/AREA: mm?

TITLE:  
PITCH 2.5mm HEIGHT 4.2mm  
3-POS POGO PIN CONNECTOR

DRAWING NUMBER:  
P20-0345R

SHT  
1  
OF  
1