

KR Electronics, Inc.

General Description

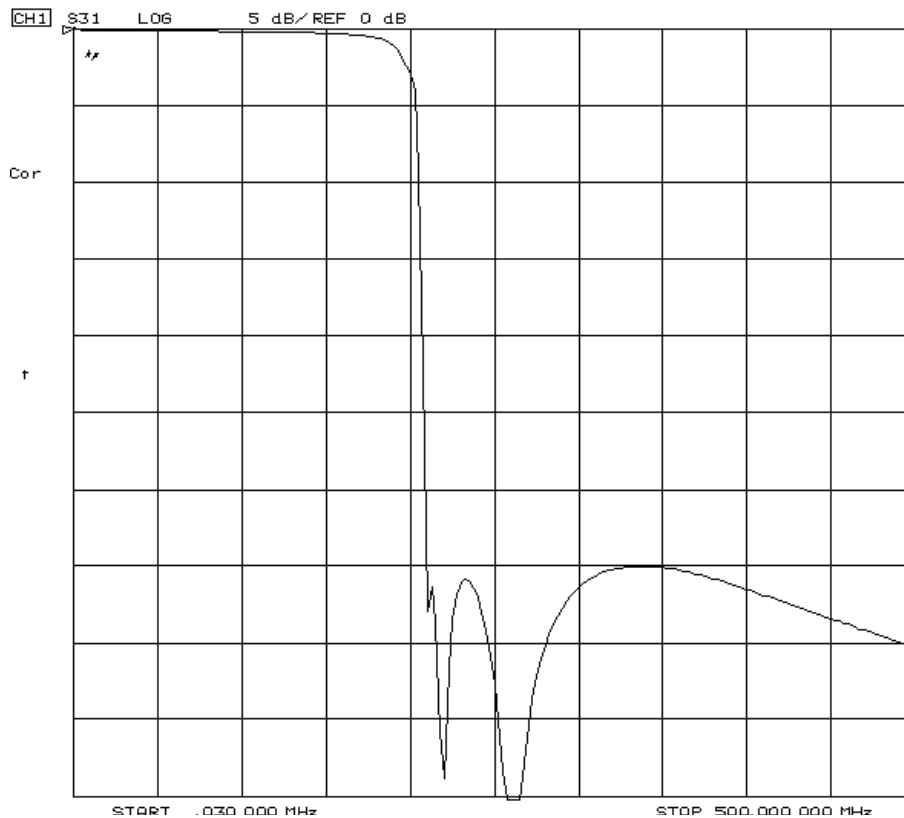
KR Electronics part number 3013-1 is a 185 MHz lowpass filter. Other bandwidths available. Please consult the factory.

Features

- 185 MHz Lowpass
- 30 dB min at 210 MHz (50 dB typ)
- Sharp Transition to the Stopband
- 50 Ω Source and Load
- Surface Mount
- Also available with SMA Connectors

Typical Performance

Overall Response
(5 dB/div)

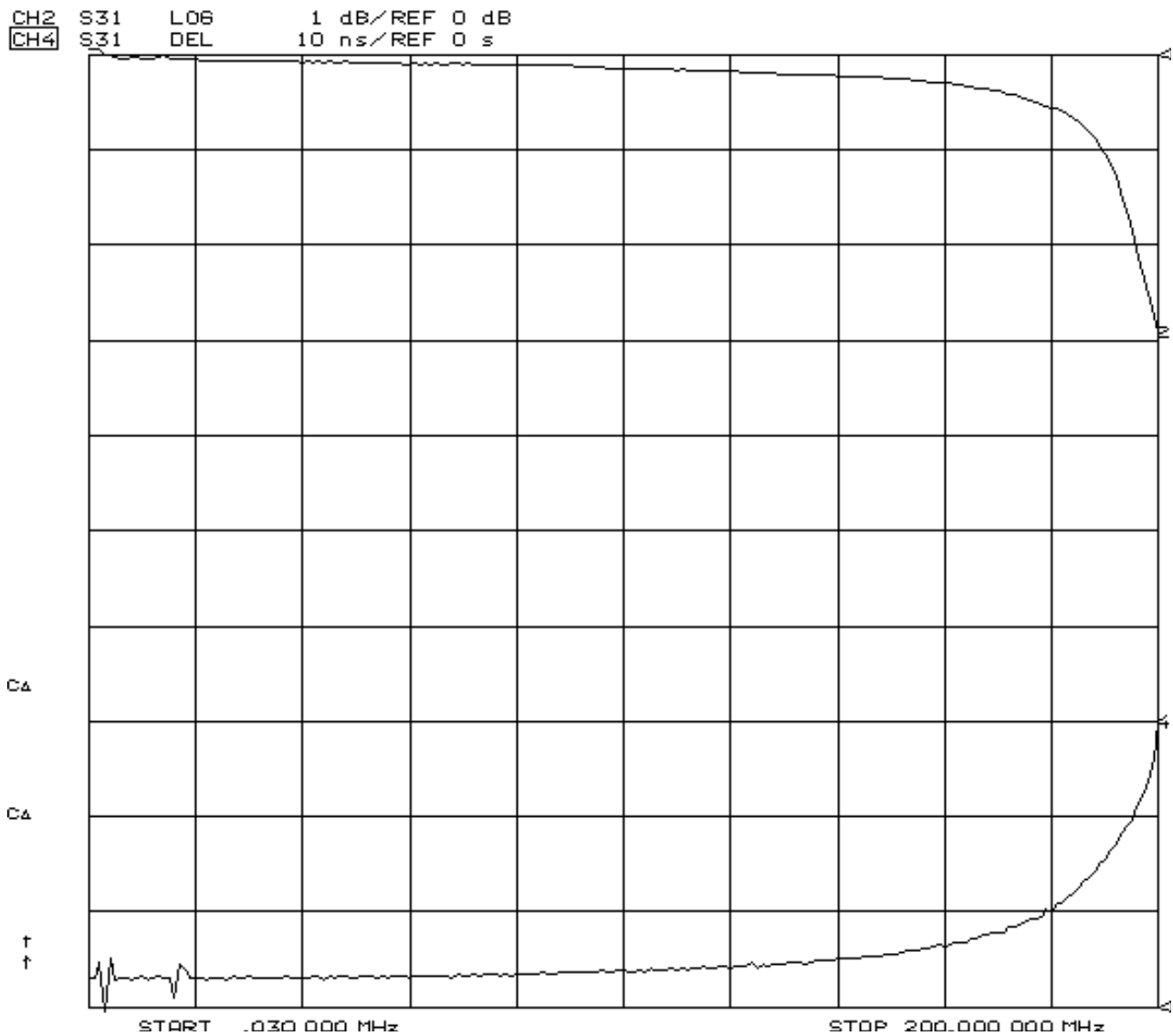


KR Electronics, Inc.
91 Avenel Street
Avenel, NJ 07001

Web www.krfilters.com
Email sales@krfilters.com
Phone (732) 636-1900
Fax (732) 636-1982

Typical Performance

Passband Amplitude & Group Delay (1 dB/div & 10 nsec/div)

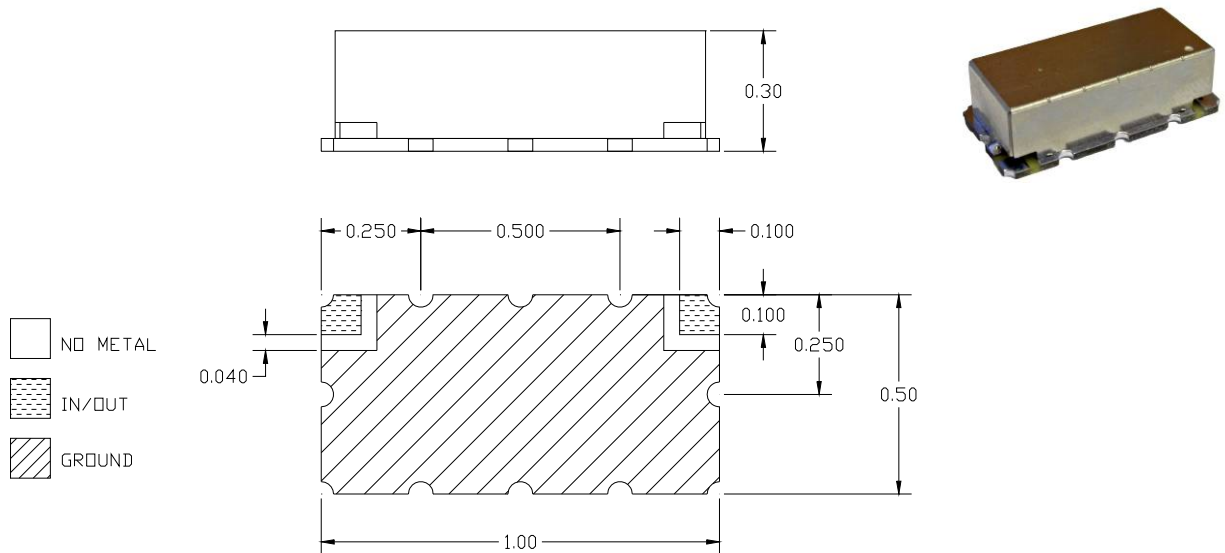


KR Electronics 3013-1

Specifications

Parameter	Specification
Filter type	Lowpass
End of Passband (1 dB max)	185 MHz
Attenuation 210 MHz	30 dB min
Source and Load	50 Ω

Physical Dimensions



Notes:

1. Surface mount package
2. Dimensions in inches
3. Max reflow temperature 209° C for 10 sec
4. If boards are cleaned after installation units must be completely dried

KR Electronics, Inc.
91 Avenel Street
Avenel, NJ 07001

Web www.krfilters.com
Email sales@krfilters.com
Phone (732) 636-1900
Fax (732) 636-1982