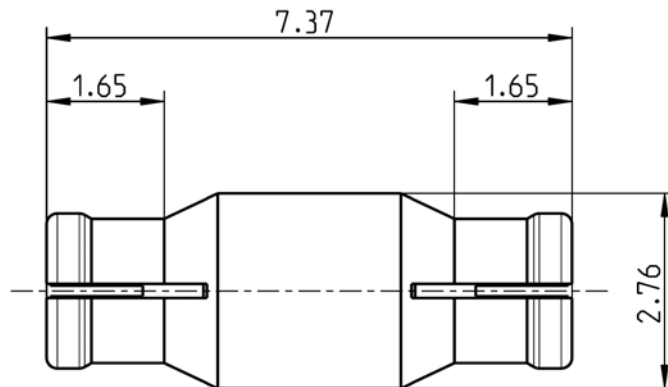


Adaptor
Mini SMP jack - jack

18K118-K04L5



All dimensions are in mm; tolerances acc. ISO 2768 m-H

Interface

According to

MIL-STD-348

Mateable with GPPO™ (Gilbert Engineering Co., Inc.)
and SSMP™ (Connectors Devices, Inc.)

Documents

N/A

Material and plating

Connector parts

Center contact
Outer contact
Dielectric

Material

CuBe
CuBe
PTFE

Plating

AuroDur®, gold plated
AuroDur®, gold plated

**Adaptor
Mini SMP jack - jack****18K118-K04L5****Electrical data**

Impedance	50 Ω
Frequency	DC to 65 GHz
Return loss	≥ 23 dB, DC to 18 GHz ≥ 15 dB, 18 to 50 GHz
Insertion loss	$\leq 0.05 \times \sqrt{f(\text{GHz})}$ dB
Insulation resistance	≥ 5 G Ω
Center contact resistance	≤ 6.0 m Ω
Outer contact resistance	≤ 2.0 m Ω
Working voltage (at sea level)	325 V rms
(at 70000 feet)	125 V rms

Mechanical data

Mating cycles	
if mating part is smooth bore	≥ 500
if mating part is full detent	≥ 100
Center contact captivation	≥ 7 N
Engagement force	
- smooth bore	11 N typical
- full detent	19 N typical
Disengagement force	
- smooth bore	11 N typical
- full detent	29 N typical

Environmental data

Temperature range	-55°C to +155°C
Thermal shock	MIL-STD-202, Method 107, Condition B
Vibration	MIL-STD-202, Method 204, Condition A
Shock	MIL-STD-202, Method 213, Condition A
Moisture resistance	MIL-STD-202, Method 106
Climatic Category	IEC 60068 55/155/21
RoHS	compliant

Tooling

N/A

Suitable cables

N/A

Weight

Weight 0.16 g/pce

While the information has been carefully compiled to the best of our knowledge, nothing is intended as representation or warranty on our part and no statement herein shall be construed as recommendation to infringe existing patents. In the effort to improve our products, we reserve the right to make changes judged to be necessary.

Draft	Date	Approved	Date	Rev.	Engineering change number	Name	Date
Rong Fang	19/07/06	B. Aicher	03.03.16	d00	15-1674	Fl. Öllerer	03.03.16
Rosenberger Hochfrequenztechnik GmbH & Co. KG P.O.Box 1260 D-84526 Tittmoning Germany www.rosenberger.de					Tel.: +49 8684 18-0 email: info@rosenberger.de		Page 2 / 2