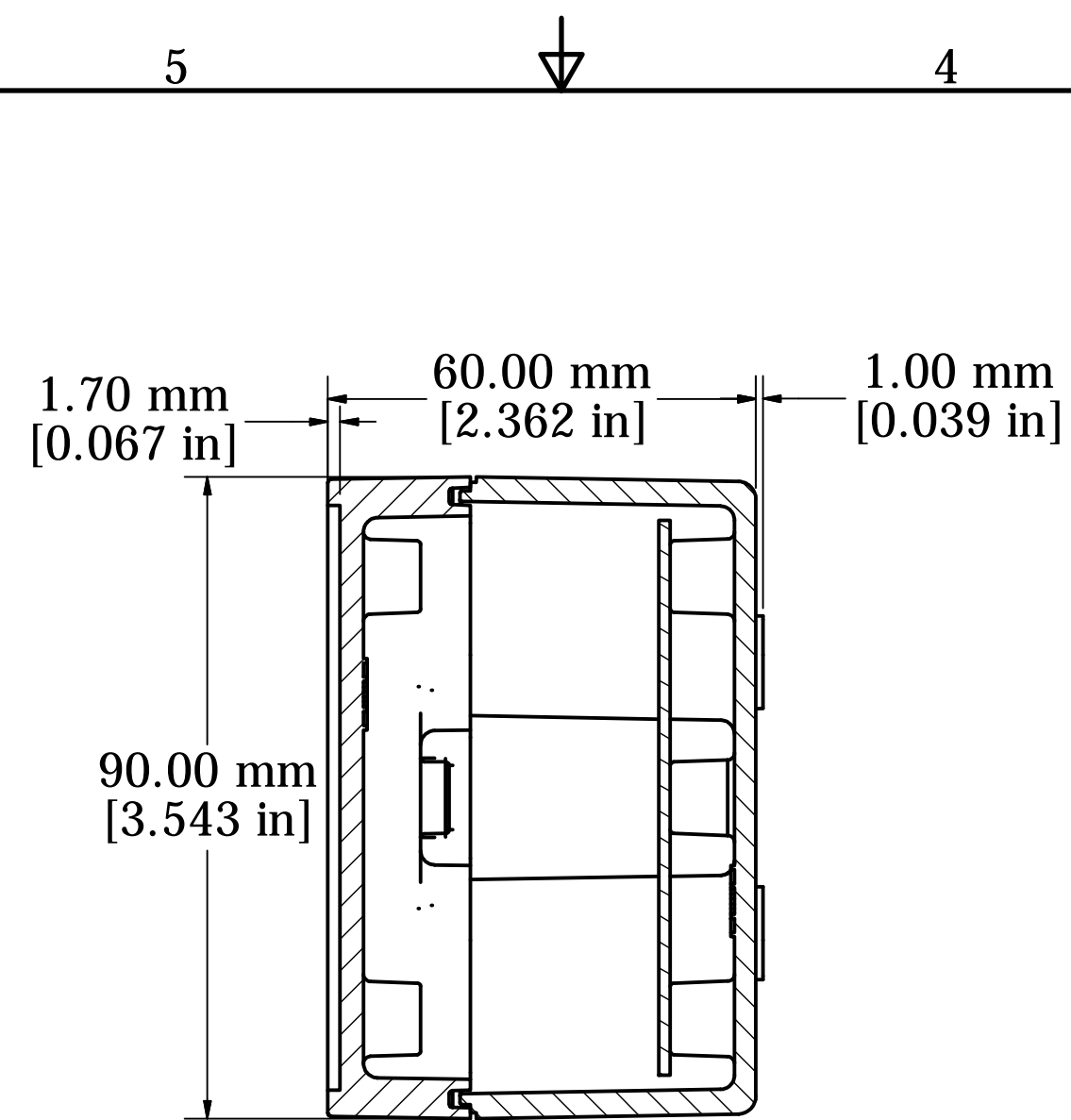
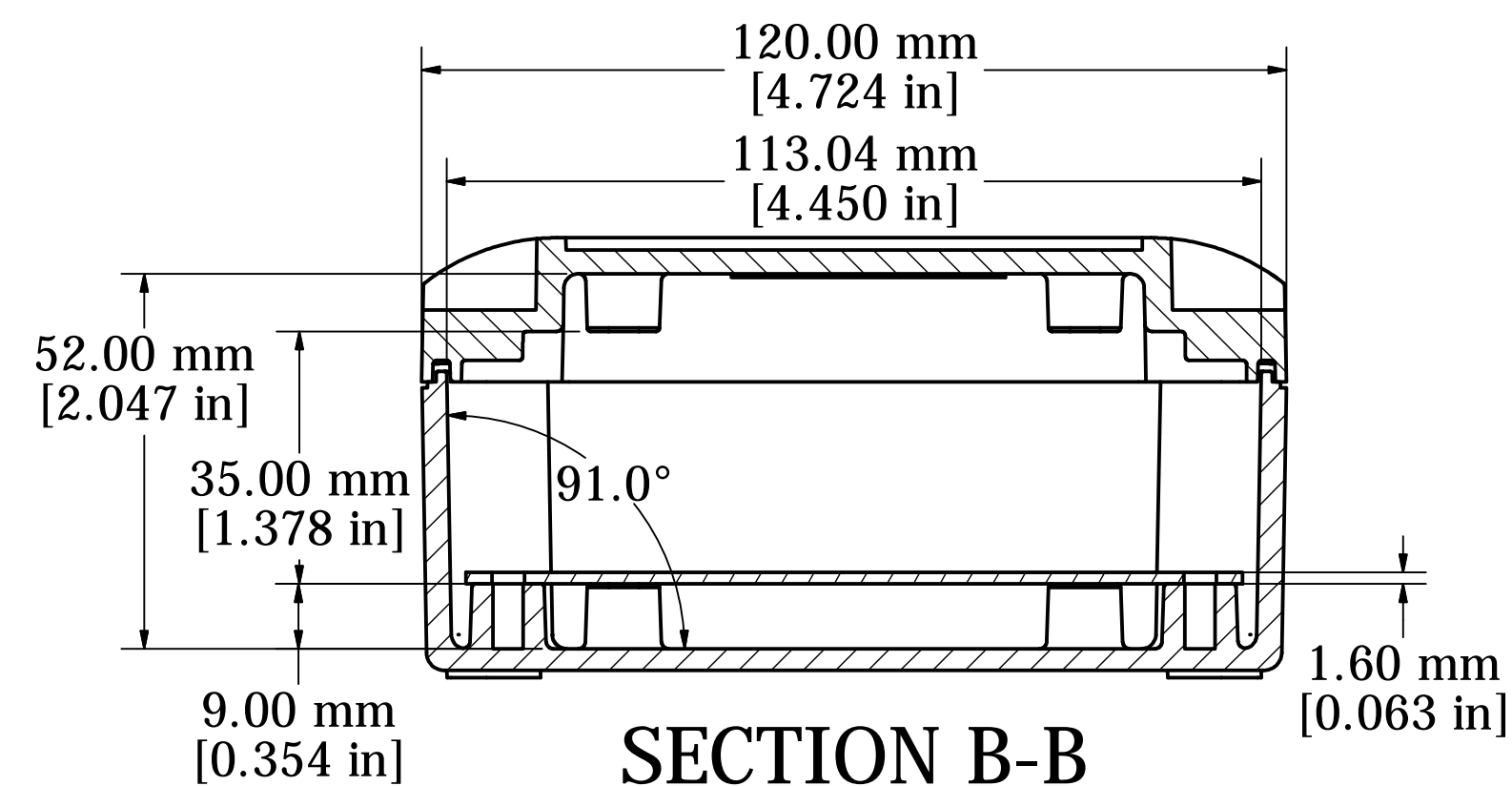


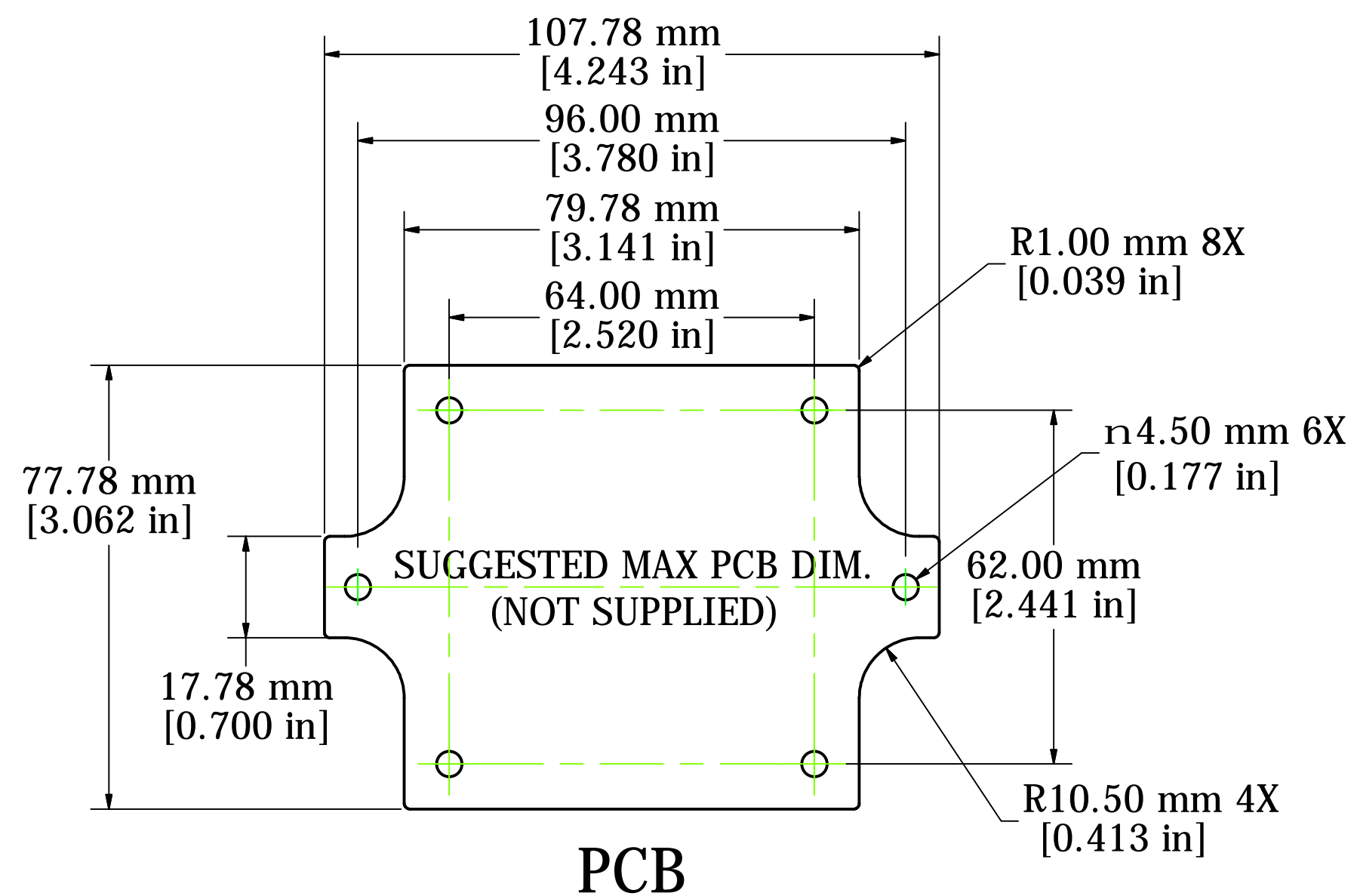
ASSEMBLY - TOP VIEW



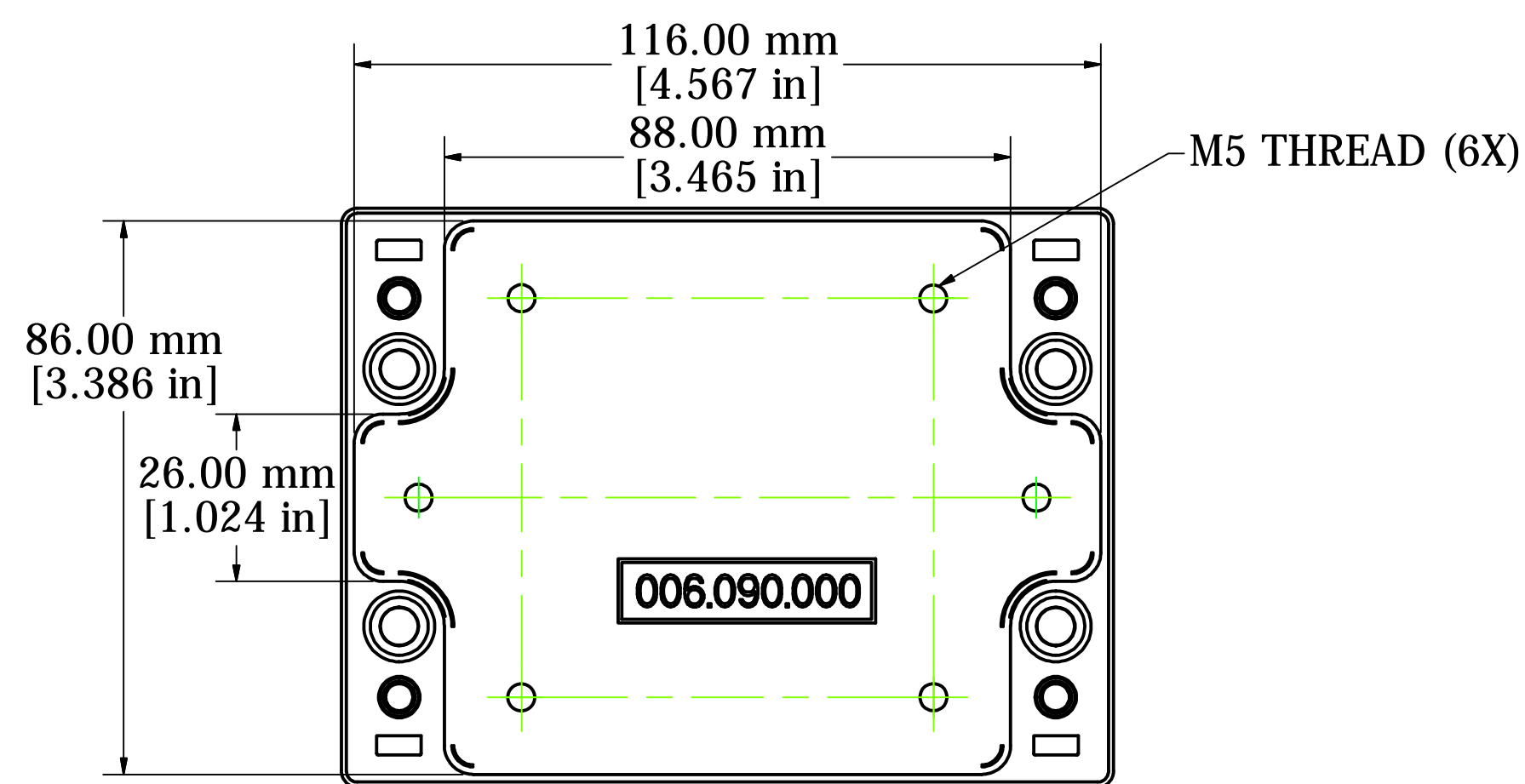
SECTION A-A



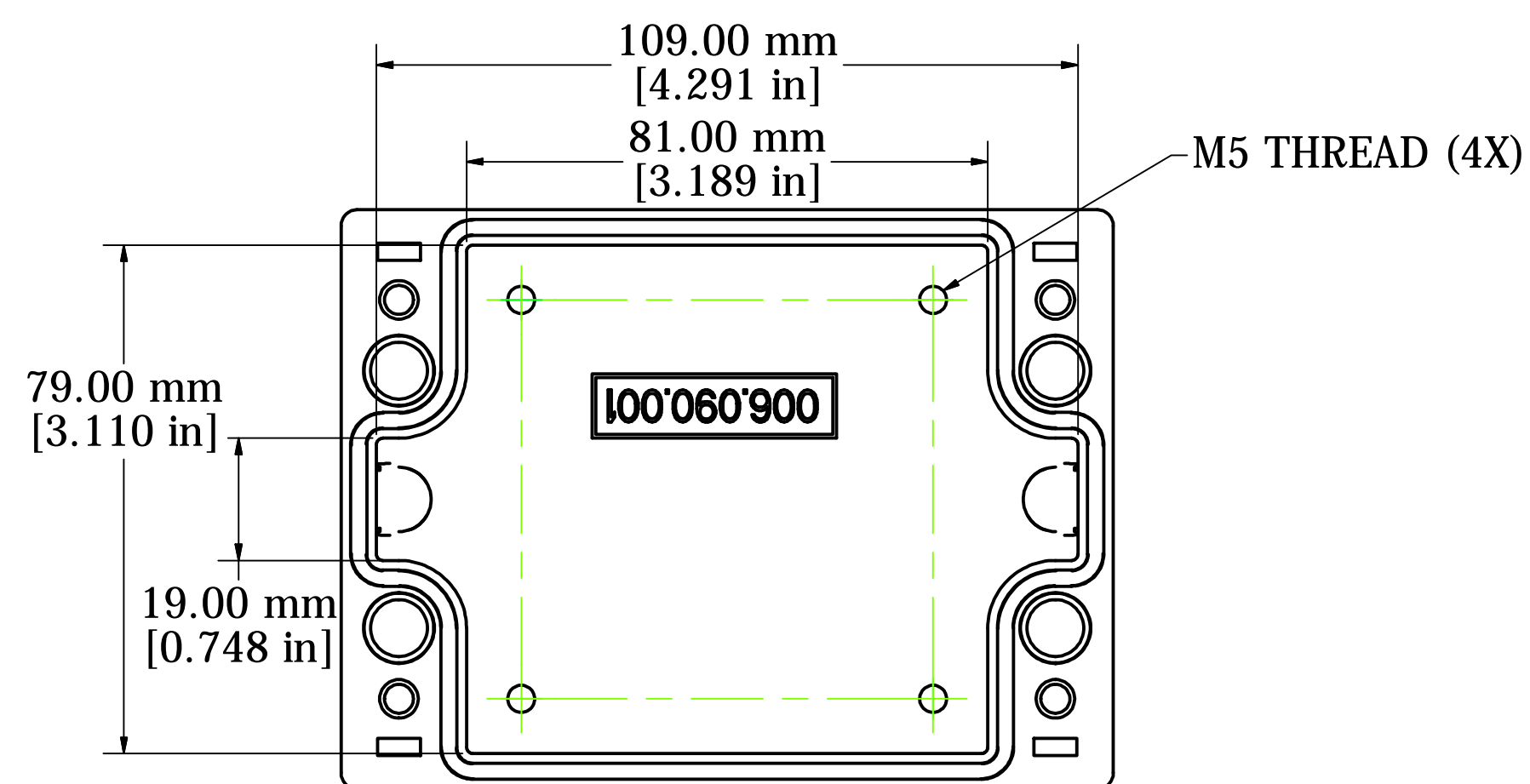
SECTION B-B



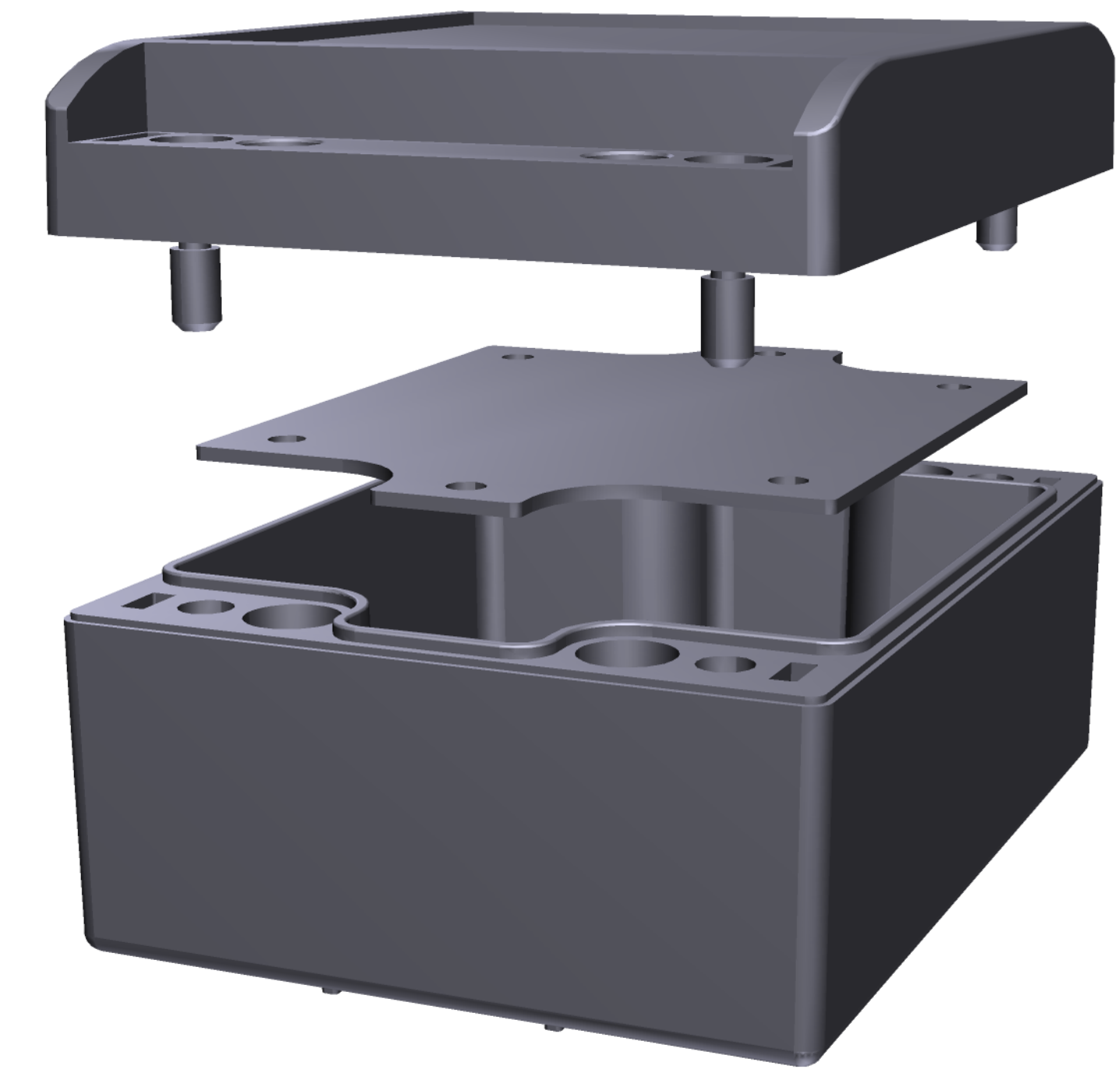
PCB



BOX - INSIDE VIEW



LID - INSIDE VIEW



Enclosures can be Factory Modified (Milling, Drilling, Printing etc.)
 Contact Factory mjm@hammondmfg.com for quotes
 Solid models of this enclosure available in STEP or IGES.

NOTE
Purchased Assembly includes:
Top and Bottom Cover (Die-cast aluminum G Al Si 12 / DIN 1725)
4 Captive Stainless Steel Screws.
Standard Powder Coated (Silky Grey RAL 7040)
POM Design Covers
Integrated Lid Supports



**HAMMOND
 MANUFACTURING™**

R191-090-000

www.hammondmfg.com