

**JFW MODEL**

115-587

**IMPEDANCE**

50 Ohms nominal

**FREQUENCY RANGE**

DC-8 GHz

**VSWR (typical)**

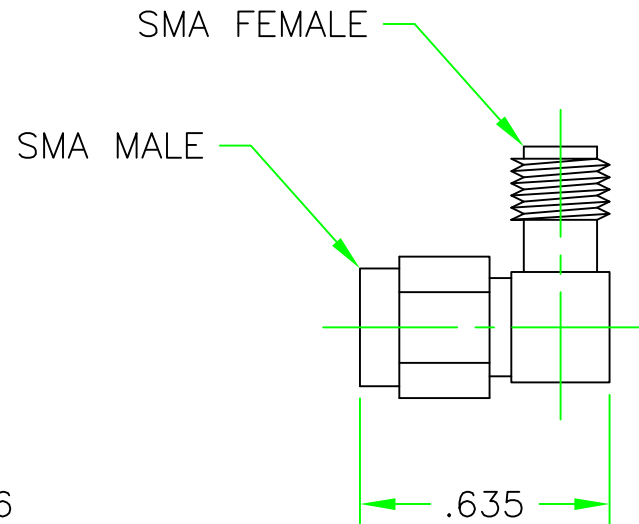
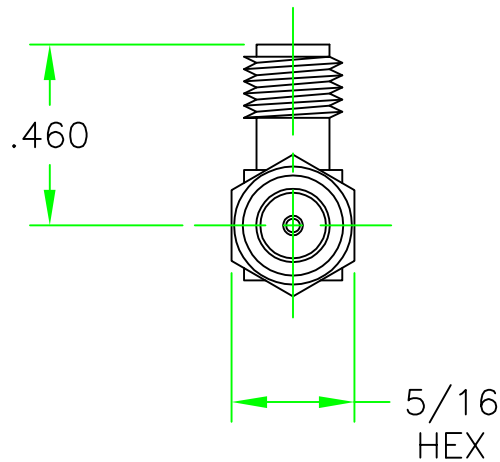
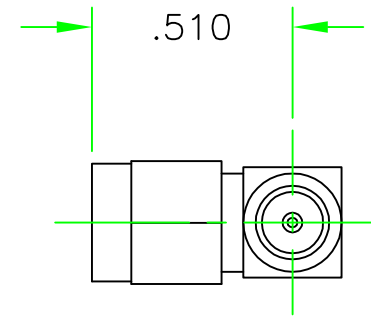
1 GHz	1.009:1
2 GHz	1.022:1
3 GHz	1.046:1
4 GHz	1.085:1
5 GHz	1.139:1
6 GHz	1.203:1
7 GHz	1.283:1
8 GHz	1.365:1

**Connector Body**

Gold Plated

**Connector Pins**

Gold Plated



REV	ECN	DATE	BY	APPR
-	ISSUED	3-14-18	TEZ	TRS
A	28718	5-7-18	DTS	TRS



**JFW INDUSTRIES, INC.**

www.jfwindustries.com

PH: 317-887-1340

MATERIAL	STAINLESS STEEL		PROPRIETARY INFORMATION
FINISH	GOLD		ALL SURFACES ARE TO BE FREE OF BURRS, PITS, & SCRATCHES
MODEL	115-587	SCALE 2X	TOLERANCES .XX±.010 .XXX±.005 XX'±.5'
DESCRIPTION	RIGHT ANGLE RF ADAPTER SMA MALE/FEMALE		DWG # 115-587