



Features

- Compact design to save board space - 0805 footprint
- Small size results in very fast time to react to fault events
- Low profile
- RoHS compliant* and halogen free**
- Agency recognition:

Applications

- USB port protection - USB 2.0, 3.0 & OTG
- HDMI 1.4 Source protection
- PC motherboards - Plug and Play protection
- Mobile phones - Battery and port protection
- PDAs / digital cameras
- Game console port protection

PRCP-PSMF Series - Polymer Resettable Circuit Protectors

Electrical Characteristics

Model	V max. Volts	I max. Amps	I _{hold}	I _{trip}	Resistance		Max. Time To Trip		Tripped Power Dissipation
			Amperes at 23 °C		Ohms at 23 °C		Amperes at 23 °C	Seconds at 23 °C	Watts at 23 °C
			Hold	Trip	R _{Min.}	R _{1Max.}			Typ.
PRCP-PSMF010X	15	40	0.10	0.30	1.0	7.5	0.5	1.5	0.5
PRCP-PSMF020X	9	40	0.20	0.50	0.65	3.5	8.00	0.02	0.5
PRCP-PSMF035X	6	40	0.35	0.75	0.250	1.200	8.00	0.10	0.5
PRCP-PSMF050X	6	40	0.50	1.00	0.150	0.900	8.00	0.10	0.5
PRCP-PSMF075X	6	40	0.75	1.50	0.090	0.350	8.00	0.20	0.6
PRCP-PSMF110X	6	40	1.10	2.20	0.060	0.210	8.00	0.30	0.6

Environmental Characteristics

Operating Temperature	-40 °C to +85 °C
Maximum Device Surface Temperature	
in Tripped State	125 °C
Passive Aging	+85 °C, 1000 hours ± 5 % typical resistance change
Humidity Aging	+85 °C, 85 % R.H. 1000 hours ± 5 % typical resistance change
Thermal Shock	+85 °C to -40 °C, 20 times ± 10 % typical resistance change
Solvent Resistance	MIL-STD-202, Method 215 No change
Vibration	MIL-STD-883C, Method 2007.1, Condition A No change

Test Procedures And Requirements For Model PRCP-PSMF Series

Test	Test Conditions	Accept/Reject Criteria
Visual/Mech	Verify dimensions and materials	Per PRCP physical description
Resistance	In still air @ 23 °C	R _{min} ≤ R ≤ R _{1max}
Time to Trip	At specified current, V _{max} , 23 °C	T ≤ max. time to trip (seconds)
Hold Current	30 min. at I _{hold}	No trip
Trip Cycle Life	V _{max} , I _{max} , 100 cycles	No arcing or burning
Trip Endurance	V _{max} , 48 hours	No arcing or burning
Solderability	ANSI/J-STD-002	95 % min. coverage

UL File NumberE300792

Thermal Derating Chart - I_{hold} / I_{trip} (Amps)

Model	Ambient Operating Temperature								
	-40 °C	-20 °C	0 °C	23 °C	40 °C	50 °C	60 °C	70 °C	85 °C
PRCP-PSMF010X	0.15 / 0.45	0.13 / 0.39	0.12 / 0.36	0.10 / 0.30	0.09 / 0.27	0.08 / 0.24	0.07 / 0.21	0.06/0.18	0.05 / 0.15
PRCP-PSMF020X	0.28 / 0.70	0.25 / 0.63	0.23 / 0.58	0.20 / 0.50	0.17 / 0.43	0.14 / 0.35	0.12 / 0.30	0.10/0.25	0.07 / 0.18
PRCP-PSMF035X	0.47 / 1.01	0.44 / 0.94	0.39 / 0.84	0.35 / 0.75	0.30 / 0.64	0.27 / 0.58	0.24 / 0.51	0.20/0.43	0.14 / 0.30
PRCP-PSMF050X	0.68 / 1.36	0.62 / 1.24	0.55 / 1.10	0.50 / 1.00	0.40 / 0.80	0.37 / 0.74	0.33 / 0.66	0.29/0.58	0.23 / 0.46
PRCP-PSMF075X	1.00 / 2.00	0.90 / 1.80	0.79 / 1.58	0.75 / 1.50	0.63 / 1.26	0.57 / 1.14	0.53 / 1.06	0.42/0.84	0.35 / 0.70
PRCP-PSMF110X	1.45 / 2.90	1.35 / 2.70	1.20 / 2.40	1.10 / 2.20	0.92 / 1.84	0.84 / 1.68	0.75 / 1.50	0.65/1.30	0.52 / 1.04

*RoHS Directive 2002/95/EC Jan27 2003 including Annex

**To be considered halogen free, each homogenous material can have a maximum concentration of 900 ppm of either bromine or chlorine.

Specifications are subject to change without notice.

Customers should verify actual device performance in their specific applications.

Additional Applications

- Automotive electronic control modules

PRCP-PSMF Series - Polymer Resettable Circuit Protectors

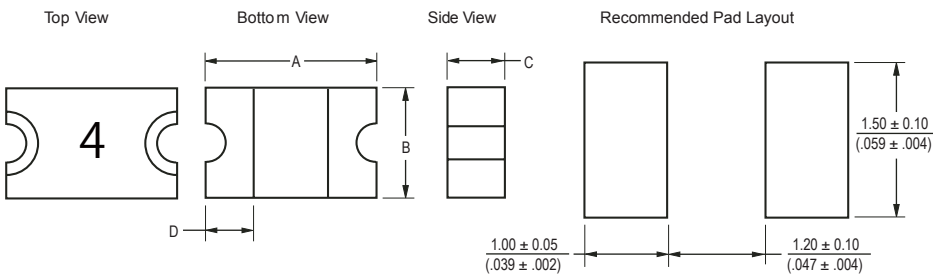
COPAL ELECTRONICS

Product Dimensions

Model	A		B		C		D
	Min.	Max.	Min.	Max.	Min.	Max.	Min.
PRCP-PSMF010X	2.00 (0.079)	2.30 (0.091)	1.20 (0.047)	1.50 (0.059)	0.48 (0.019)	0.85 (0.033)	0.20 (0.008)
PRCP-PSMF020X	2.00 (0.079)	2.30 (0.091)	1.20 (0.047)	1.50 (0.059)	0.48 (0.019)	0.85 (0.033)	0.20 (0.008)
PRCP-PSMF035X	2.00 (0.079)	2.30 (0.091)	1.20 (0.047)	1.50 (0.059)	0.48 (0.019)	0.85 (0.033)	0.20 (0.008)
PRCP-PSMF050X	2.00 (0.079)	2.30 (0.091)	1.20 (0.047)	1.50 (0.059)	0.48 (0.019)	0.85 (0.033)	0.20 (0.008)
PRCP-PSMF075X	2.00 (0.079)	2.30 (0.091)	1.20 (0.047)	1.50 (0.059)	0.75 (0.030)	1.25 (0.049)	0.20 (0.008)
PRCP-PSMF110X	2.00 (0.079)	2.30 (0.091)	1.20 (0.047)	1.50 (0.059)	0.75 (0.030)	1.25 (0.049)	0.20 (0.008)

Packaging: 3000 pcs. per reel.

DIMENSIONS = $\frac{\text{MM}}{\text{(INCHES)}}$

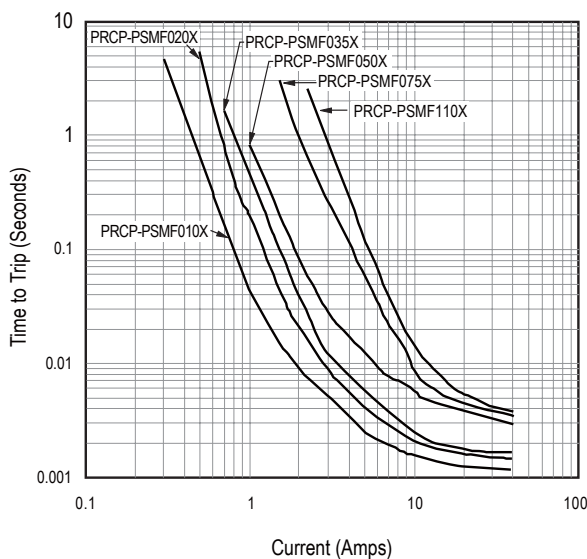


Terminal material:
Nickel/gold plated.

Termination pad solderability:
Standard Au finish:
Meets ANSI/J-STD-002 Category 2.

Recommended Storage:
40 ° C max./70 % RH max.

Typical Time to Trip at 23 °C



The Time to Trip curves represent typical performance of a device in a simulated application environment. Actual performance in specific customer applications may differ from these values due to the influence of other variables.

How to Order

PRCP - PSMF 050 X - 2 C

Product Designer

Series PSMF = 0805 SurfaceMount Component

Hold Current, I_{hold} 010-110 (0.10 - 1.10 Amps)

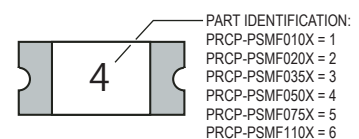
Product Shape

Packaging Packaged per EIA 481-1
-2 = Tape and Reel

Halogen Free

Typical Part Marking

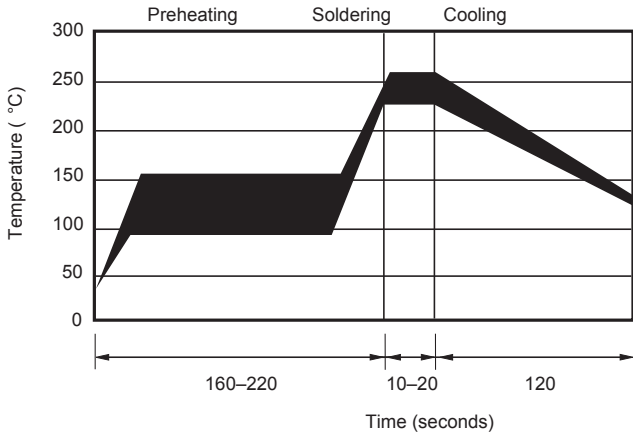
Represents total content. Layout may vary.



BIWEEKLY DATE CODE WILL APPEAR ON THE PACKAGING LABEL:
 WEEK 1 AND 2 = A
 WEEK 51 AND 52 = Z

Specifications are subject to change without notice.
 Customers should verify actual device performance in their specific applications.

Solder Reflow Recommendations



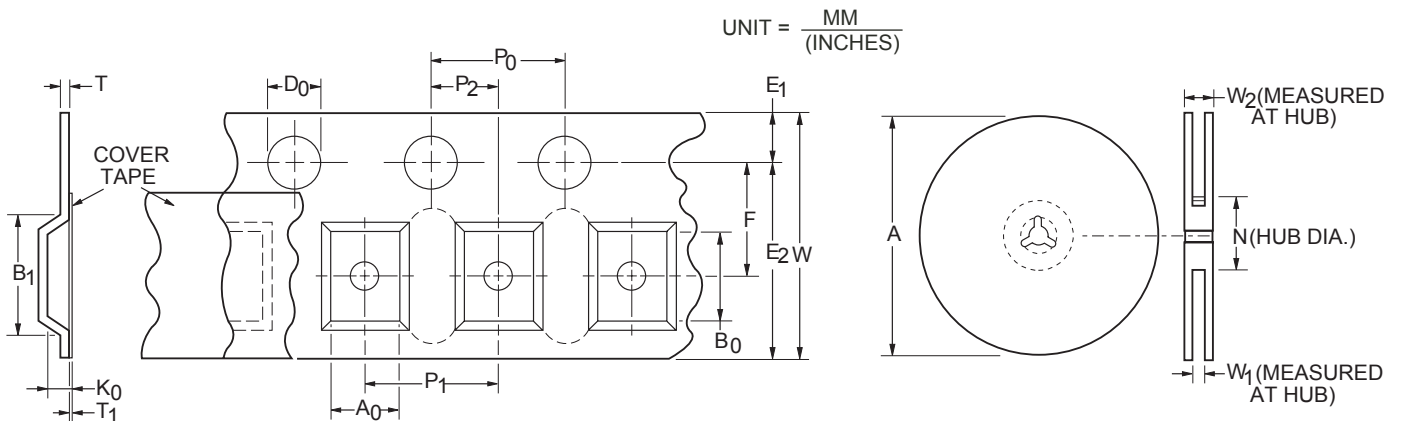
- Notes:
- PRCP-PSMF models cannot be wave soldered. Please contact COPAL ELECTRONICS for hand soldering recommendations.
 - If reflow temperatures exceed the recommended profile, devices may not meet the performance requirements.
 - Compatible with Pb and Pb-free solder reflow profiles.

Specifications are subject to change without notice.
Customers should verify actual device performance in their specific applications.

PRCP-PSMF Series Tape and Reel Specifications

COPAL ELECTRONICS

Tape Dimensions	PRCP-PSMF010X, PRCP-PSMF020X, PRCP-PSMF035X & PRCP-PSMF050X per EIA 481-1	PRCP-PSMF075X & PRCP-PSMF110X per EIA 481-1
	W	8.0 ± 0.30 (0.315 ± 0.012)
P ₀	4.0 ± 0.10 (0.157 ± 0.004)	4.0 ± 0.10 (0.157 ± 0.004)
P ₁	4.0 ± 0.10 (0.157 ± 0.004)	4.0 ± 0.10 (0.157 ± 0.004)
P ₂	2.0 ± 0.05 (0.079 ± 0.002)	2.0 ± 0.05 (0.079 ± 0.002)
A ₀	1.65 ± 0.10 (0.065 ± 0.004)	1.65 ± 0.10 (0.065 ± 0.004)
B ₀	2.4 ± 0.10 (0.094 ± 0.004)	2.4 ± 0.10 (0.094 ± 0.004)
B ₁ max.	4.35 (0.171)	4.35 (0.171)
D ₀	$1.50 + 0.10/-0.0$ (0.059 + 0.004/-0)	$1.50 + 0.10/-0.0$ (0.059 + 0.004/-0)
F	3.5 ± 0.05 (0.138 ± 0.002)	3.5 ± 0.05 (0.138 ± 0.002)
E ₁	1.75 ± 0.10 (0.069 ± 0.004)	1.75 ± 0.10 (0.069 ± 0.004)
E ₂ min.	6.25 (0.246)	6.25 (0.246)
T max.	0.6 (0.024)	0.6 (0.024)
T ₁ max.	0.10 (0.004)	0.10 (0.004)
K ₀	0.95 ± 0.10 (0.037 ± 0.004)	1.25 ± 0.10 (0.049 ± 0.004)
Leader min.	390 (15.35)	390 (15.35)
Trailer min.	160 (6.30)	160 (6.30)
Reel Dimensions		
A max.	185 (7.28)	185 (7.28)
N min.	50 (1.97)	50 (1.97)
W ₁	$8.4 + 1.5/-0.0$ (0.331 + 0.059/-0)	$8.4 + 1.5/-0.0$ (0.331 + 0.059/-0)
W ₂ max.	14.4 (0.567)	14.4 (0.567)



Specifications are subject to change without notice.
Customers should verify actual device performance in their specific applications.

Revision History

Date	Rev.	Reason
04/22/2008	A	Initial issue
11/28/2008	B	Updated Thermal Derating Chart
12/08/2008	C	Updated How to Order
12/26/2008	D	Updated Thermal Derating Chart
07/13/2015	E	Updated Application

Revision : E
Issue date : 07/13/15

PRCP-PSMF SERIES