



Size: 0.77in x 0.28in x 0.39in (19.50mm x 7.10mm x 10mm)

FEATURES

- 5 PIN SIP Package
- Industry Standard Pinout
- Single and Dual Outputs
- RoHS Compliant
- Internal SMD Construction
- Short Circuit Protection
- High Efficiency up to 85%
- Unregulated Output Types
- No External Component Required
- Recognized by UL 60950-1

DESCRIPTION

The LANE2 series of DC/DC converters offers 2 watts of output power in a miniature 0.77" x 0.28" x 0.39" 5 pin SIP package. This series consists of unregulated single and dual output models with internal SMD construction. This series has short circuit protection, high efficiency, and no external components are required. The LANE2 series is RoHS compliant and is recognized by UL 60950-1. Please contact factory for order details.

MODEL SELECTION TABLE

Single Output Models

Model Number	Input Voltage Range	Output Voltage	Output Current	Efficiency	Ripple & Noise	Output Power
LANE505N2	5VDC (4.5~5.5VDC)	5VDC	400mA	70%	100mVp-p	2 Watts
LANE509N2		9VDC	222mA	75%		
LANE512N2		12VDC	167mA	80%		
LANE515N2		15VDC	133mA	80%		
LANE524N2		24VDC	84mA	85%		
LANE905N2	9VDC (8.1~9.9VDC)	5VDC	400mA	70%	100mVp-p	2 Watts
LANE909N2		9VDC	222mA	75%		
LANE912N2		12VDC	167mA	80%		
LANE915N2		15VDC	133mA	80%		
LANE924N2		24VDC	84mA	85%		
LANE1205N2	12VDC (10.8~13.2VDC)	5VDC	400mA	70%	100mVp-p	2 Watts
LANE1209N2		9VDC	222mA	75%		
LANE1212N2		12VDC	167mA	80%		
LANE1215N2		15VDC	133mA	80%		
LANE1224N2		24VDC	84mA	85%		
LANE1505N2	15VDC (13.5~16.5VDC)	5VDC	400mA	70%	100mVp-p	2 Watts
LANE1509N2		9VDC	222mA	75%		
LANE1512N2		12VDC	167mA	80%		
LANE1515N2		15VDC	133mA	80%		
LANE1524N2		24VDC	84mA	85%		
LANE2405N2	24VDC (21.6~26.4VDC)	5VDC	400mA	70%	100mVp-p	2 Watts
LANE2409N2		9VDC	222mA	75%		
LANE2412N2		12VDC	167mA	80%		
LANE2415N2		15VDC	133mA	80%		
LANE2424N2		24VDC	84mA	85%		

MODEL SELECTION TABLE
Dual Output Models

Model Number	Input Voltage Range	Output Voltage	Output Current	Efficiency	Ripple & Noise	Output Power
LANE505ND2	5VDC (4.5~5.5VDC)	±5VDC	±200mA	70%	100mVp-p	2 Watts
LANE509ND2		±9VDC	±111mA	75%		
LANE512ND2		±12VDC	±84mA	80%		
LANE515ND2		±15VDC	±67mA	80%		
LANE524ND2		±24VDC	±42mA	85%		
LANE905ND2	9VDC (8.1~9.9VDC)	±5VDC	±200mA	70%	100mVp-p	2 Watts
LANE909ND2		±9VDC	±111mA	75%		
LANE912ND2		±12VDC	±84mA	80%		
LANE915ND2		±15VDC	±67mA	80%		
LANE924ND2		±24VDC	±42mA	85%		
LANE1205ND2	12VDC (10.8~13.2VDC)	±5VDC	±200mA	70%	100mVp-p	2 Watts
LANE1209ND2		±9VDC	±111mA	75%		
LANE1212ND2		±12VDC	±84mA	80%		
LANE1215ND2		±15VDC	±67mA	80%		
LANE1224ND2		±24VDC	±42mA	85%		
LANE1505ND2	15VDC (13.5~16.5VDC)	±5VDC	±200mA	70%	100mVp-p	2 Watts
LANE1509ND2		±9VDC	±111mA	75%		
LANE1512ND2		±12VDC	±84mA	80%		
LANE1515ND2		±15VDC	±67mA	80%		
LANE1524ND2		±24VDC	±42mA	85%		
LANE2405ND2	24VDC (21.6~26.4VDC)	±5VDC	±200mA	70%	100mVp-p	2 Watts
LANE2409ND2		±9VDC	±111mA	75%		
LANE2412ND2		±12VDC	±84mA	80%		
LANE2415ND2		±15VDC	±67mA	80%		
LANE2424ND2		±24VDC	±42mA	85%		

SPECIFICATIONS

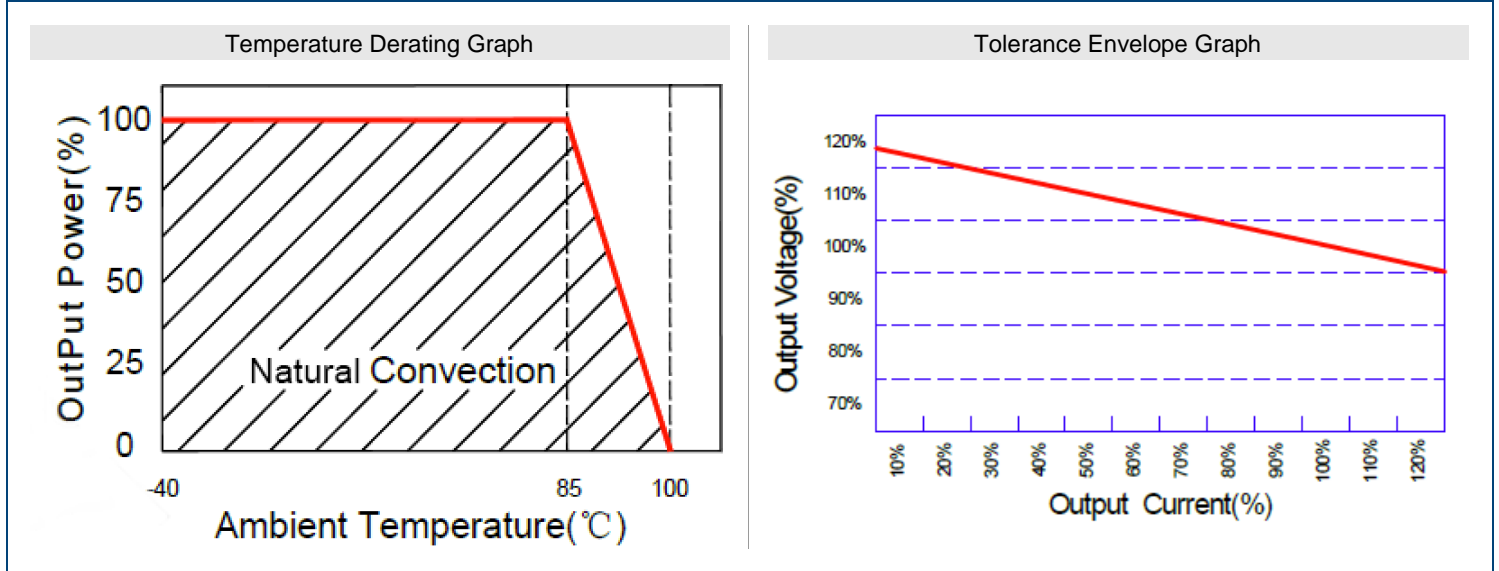
All specifications are based on 25°C, Nominal Input Voltage, and Maximum Output Current unless otherwise noted.
 We reserve the right to change specifications based on technological advances.

SPECIFICATION	TEST CONDITIONS	Min	Typ	Max	Unit
INPUT SPECIFICATIONS					
Input Voltage Range		See Table			
Voltage Tolerance	Vo, Io Nom			±10	%
Input Filter		Capacitor			
OUTPUT SPECIFICATIONS					
Output Voltage		See Table			
Voltage Tolerance	100% Full Load			±5	%
Line Regulation	For 1.0% of Vin		1.2		%
Load Regulation	5V (10% to 100% FL)			15	%
	9V, 12V, 15V, 24V (10% to 100% FL)			10	
Output Power		See Table			
Output Current		See Table			
Ripple & Noise (20MHz bandwidth)	BW=DC to 20MHz			100	mVp-p
Transient Response Setting Time	50% Load Step Change		350		us
PROTECTION					
Short Circuit Protection	Short Term			1	Sec
ENVIRONMENTAL SPECIFICATIONS					
Operating Temperature		-40		+85	°C
Humidity	Non-Condensing			95	%
Cooling		Free Air Convection			
MTBF	@25°C MIL-HDBK-217F	3,500,000			Hours
GENERAL SPECIFICATIONS					
Efficiency		See Table			
Switching Frequency	Full Load, Nominal Input		75		KHz
Isolation Resistance	500VDC	1000			MΩ
PHYSICAL SPECIFICATIONS					
Weight		0.095oz (2.7g)			
Dimensions (L x W x H)		0.77in x 0.28in x 0.39in (19.50mm x 7.10mm x 10mm)			
Case Material		DAP			
SAFETY CHARACTERISTICS					
Safety Approvals		UL 60950-1			

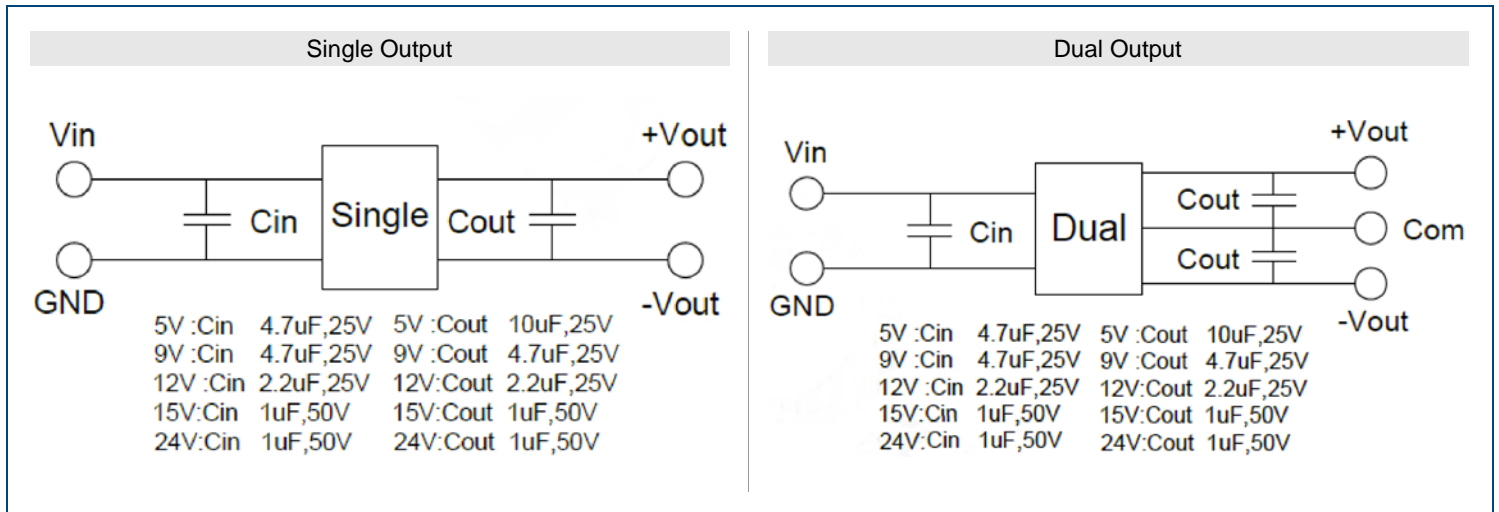
NOTES

1. If the input voltage increases, there will be an increase in efficiency.
**Due to advances in technology, specifications subject to change without notice.*

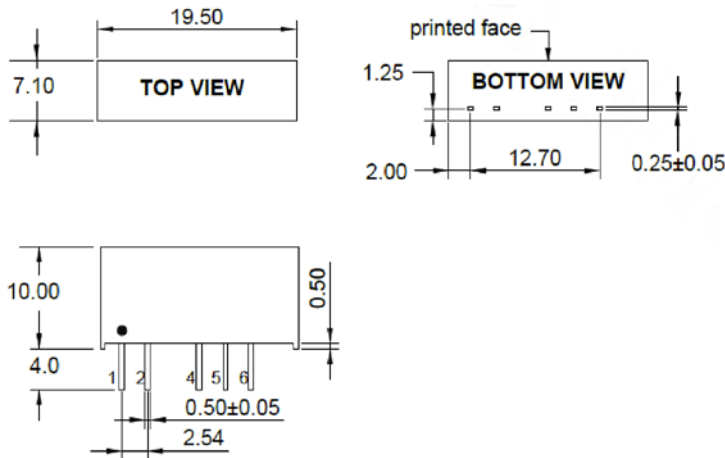
DERATING CURVES



RECOMMENDED TEST CIRCUIT



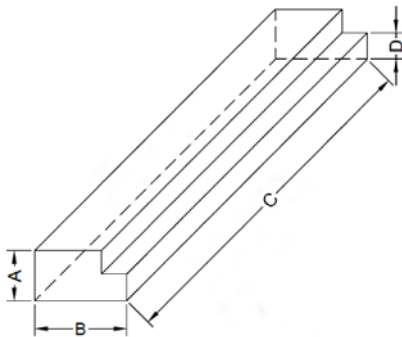
MECHANICAL DRAWINGS



PIN	Single	Dual
1	+Vin	+Vin
2	-Vin	-Vin
4	-Vout	-Vout
5	NO PIN	Com
6	+Vout	+Vout

UNIT: mm Unless otherwise specified, all tolerances are ±0.25

PACKAGING



A	B	C	D
9.50	16.50	5.22	5.0

COMPANY INFORMATION

Wall Industries, Inc. has created custom and modified units for over 50 years. Our in-house research and development engineers will provide a solution that exceeds your performance requirements on-time and on budget. Our ISO9001-2008 certification is just one example of our commitment to producing a high quality, well-documented product for our customers.

Our past projects demonstrate our commitment to you, our customer. Wall Industries, Inc. has a reputation for working closely with its customers to ensure each solution meets or exceeds form, fit and function requirements. We will continue to provide ongoing support for your project above and beyond the design and production phases. Give us a call today to discuss your future projects.

Contact **Wall Industries** for further information:

Phone: ☎(603)778-2300
 Toll Free: ☎(888)597-9255
 Fax: ☎(603)778-9797
 E-mail: sales@wallindustries.com
 Web: www.wallindustries.com
 Address: 37 Industrial Drive
 Exeter, NH 03833