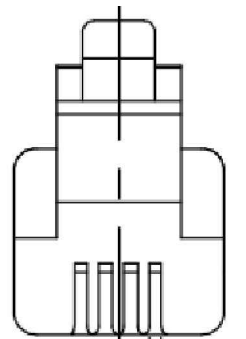
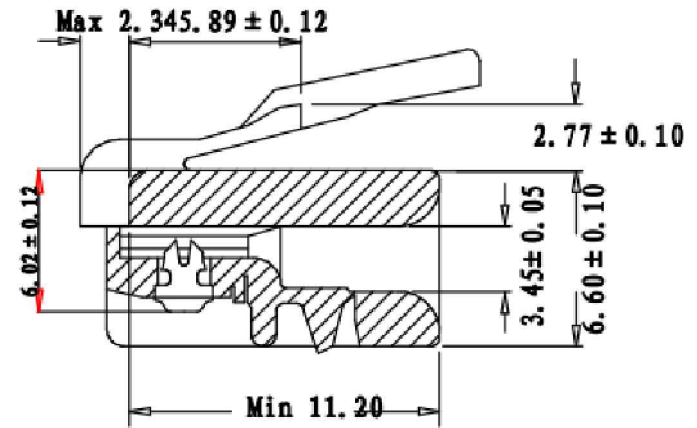


MP4P4C



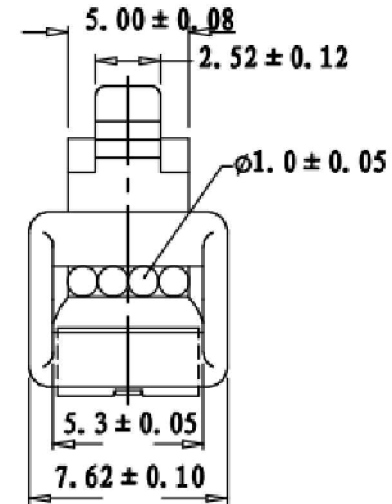
0.56 ± 0.05



SPECIFICATIONS

HOUSING	POLY CARBONATE(PC) UL94V2 NO. E919153
CONTACT BLADE	HIGH STRENGTH COPPER ALLOY
MATERIAL	100 MICRON NICKEL UNDERPLATED
PLATING TYPE	8% PHOSPHOR BRONZE
PLATING THICKNESS:	(6U")GOLD PLATED
OPERATING TEMP	-40°C TO 125°C
CURRENT RATING	250V AC MAX AT 2A
DIELECTRIC	500V AC
INSULATION RES	500MEGAOHMS

COMPLIES WITH FCC68/F



RoHS compliant
Unit: mm

Scale	Free					Date	Name	Customer-No.
TOLERANCE						Drawn	04.06.2014	Joanna
X.						Approved	04.06.2014	Joanna
X.X								
X.XX								
DIM	TOL							
X.°	±3°							
X.X°	±1.0°	①	Drawn	04.06.2014	Joanna			
Angle	TOL	Id.	Modification	Date	Name			

Customer-No.



ASSMANN WSW-No.
A-MO-4/4-SR

Drawing-No.

ASS 6400 CO

rev00

Replace

Sheet