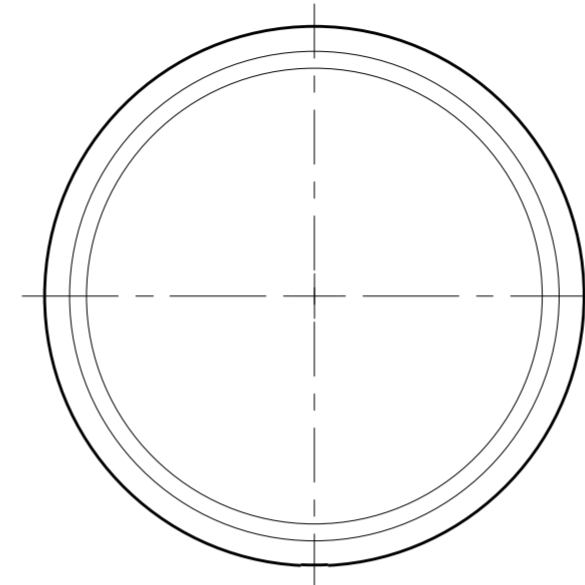
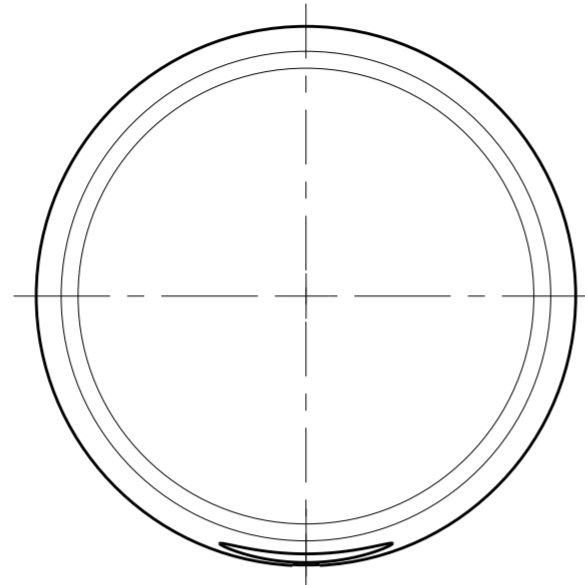
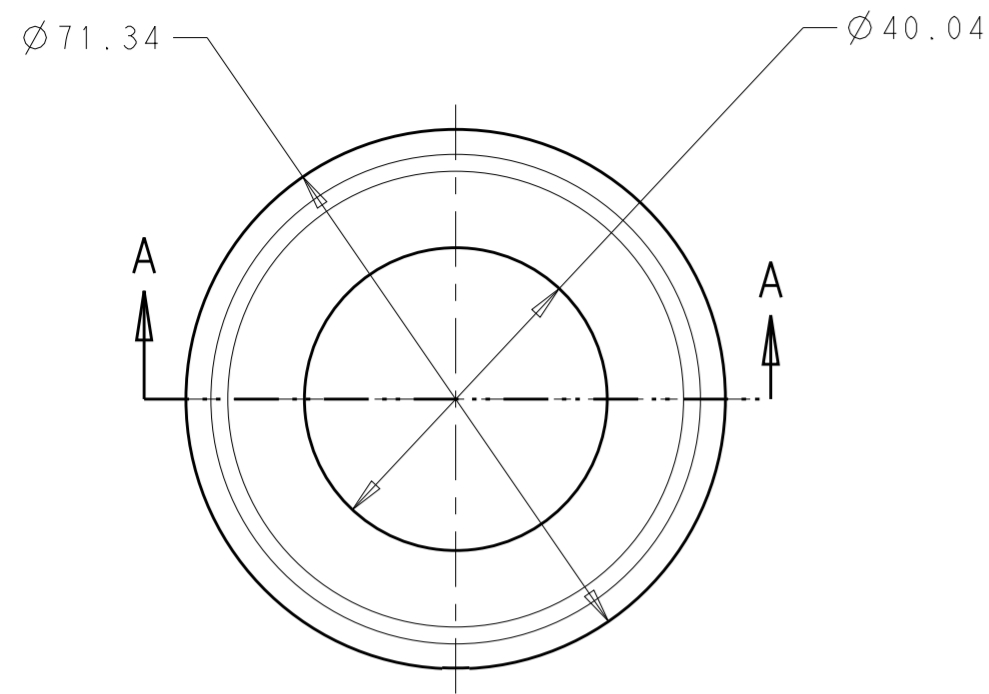


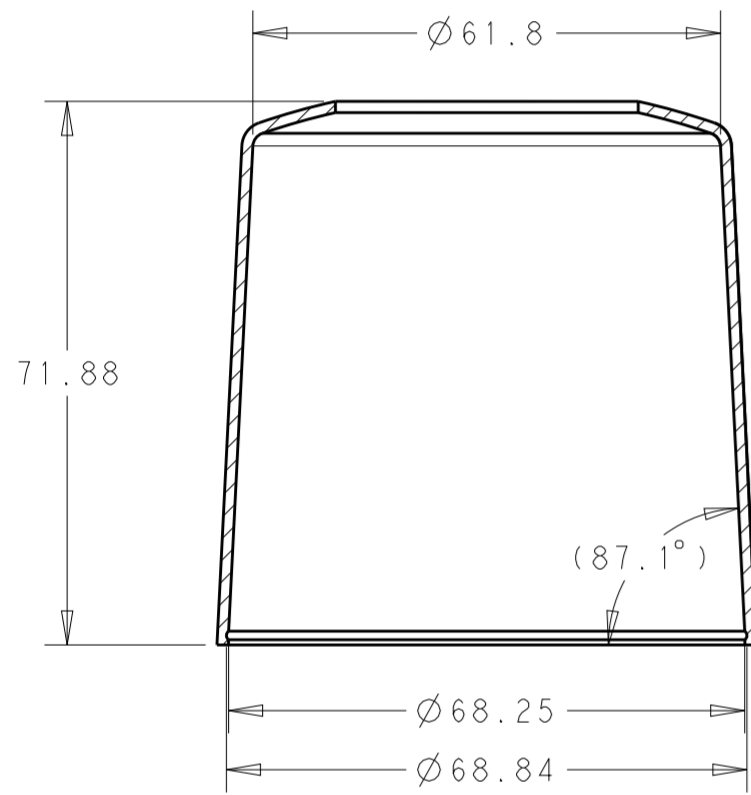
THIS DRAWING IS UNPUBLISHED. RELEASED FOR PUBLICATION 20
 © COPYRIGHT 20 BY - ALL RIGHTS RESERVED.

REVISIONS				
P	LTR	DESCRIPTION	DATE	APVD
	A	REVISED PER ECO-17-010648	21JUL2017	RK DD

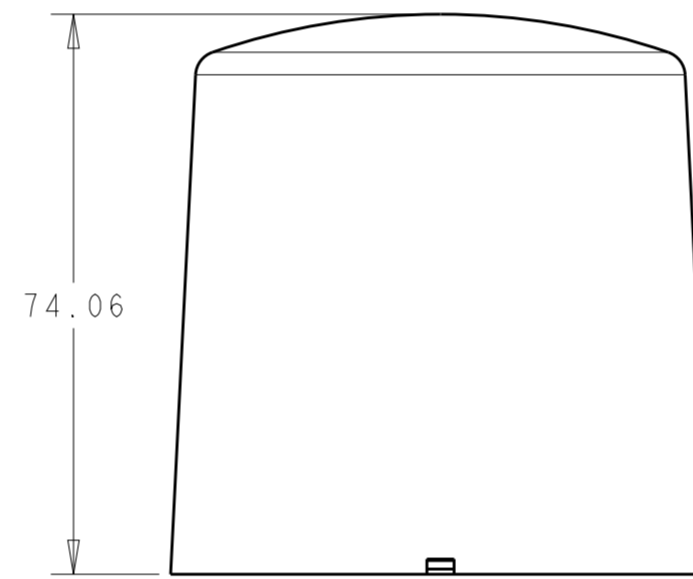
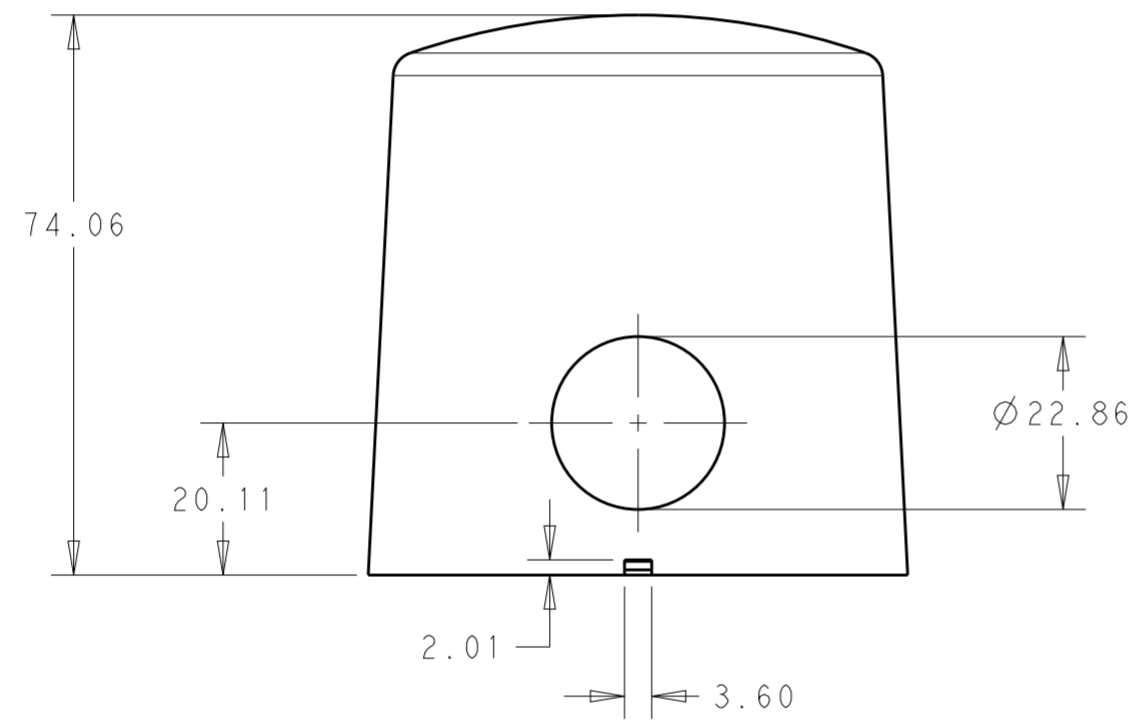


NOTES:

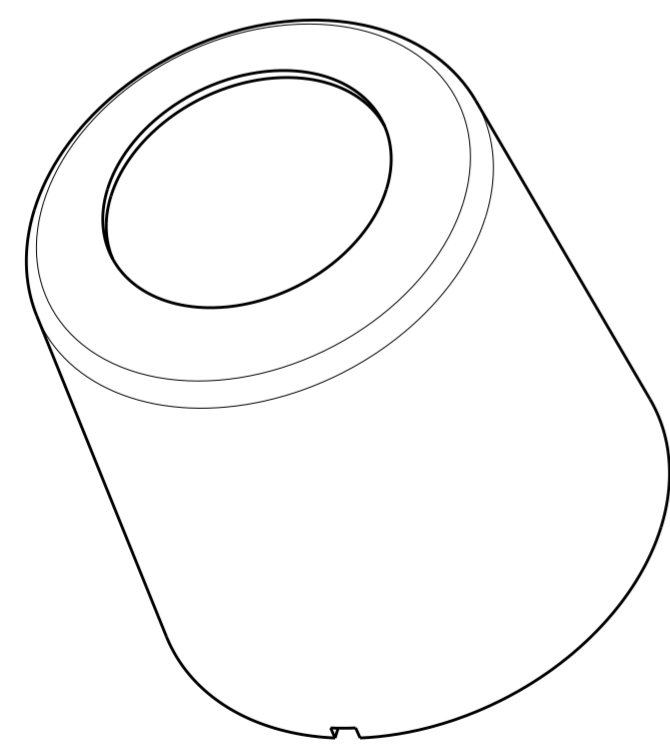
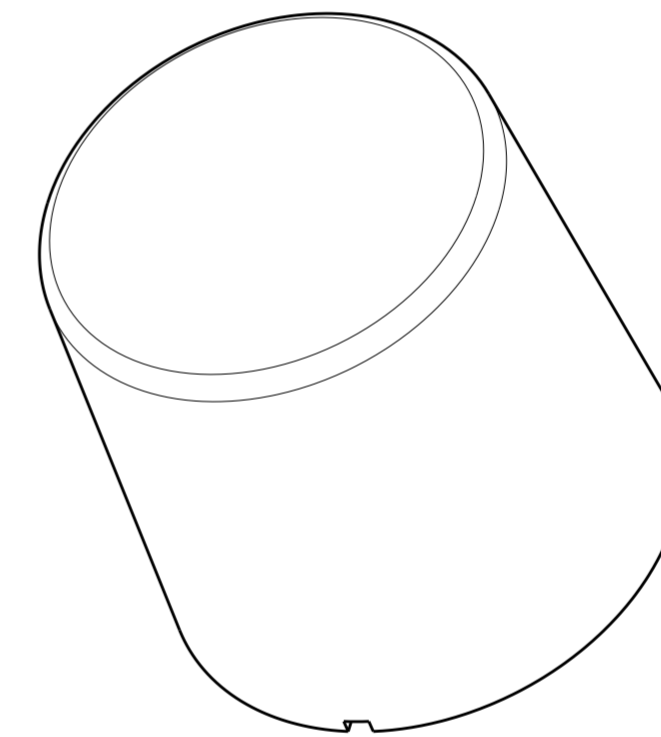
- 1 MATERIAL: PBT
- 2 MATING LIGHT CONTROLLER BASE ASSEMBLY TE P/N 2213871-1 OR 1-2213871-1
- 3 DOME P/N 2213748-1 OR 1-2213748-1 TO BE USED WITH SLEEVE P/N 2213805.
- 4 MAX ALLOWABLE PCB DIAMETER= Ø66.625



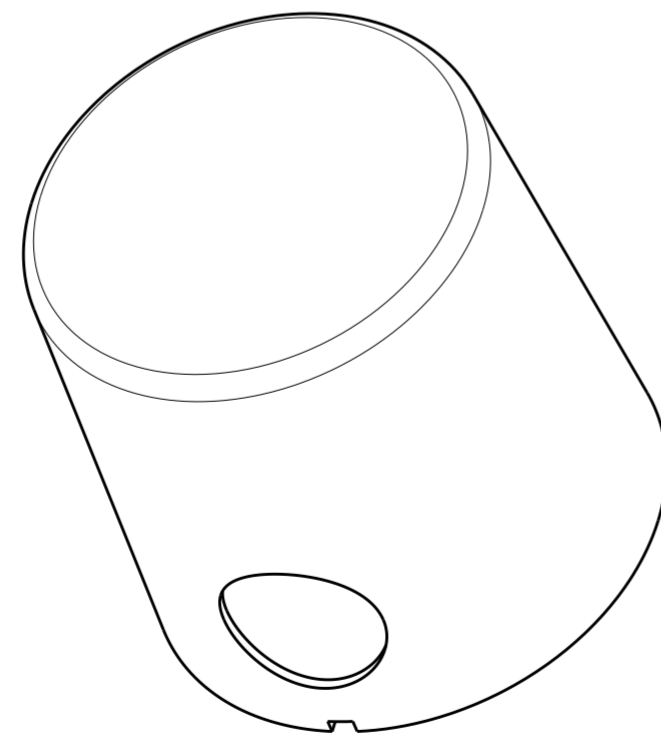
SECTION A-A



2-2213805-0
SHOWN



2213805-1, 2213805-2
SHOWN



1-2213805-1
SHOWN

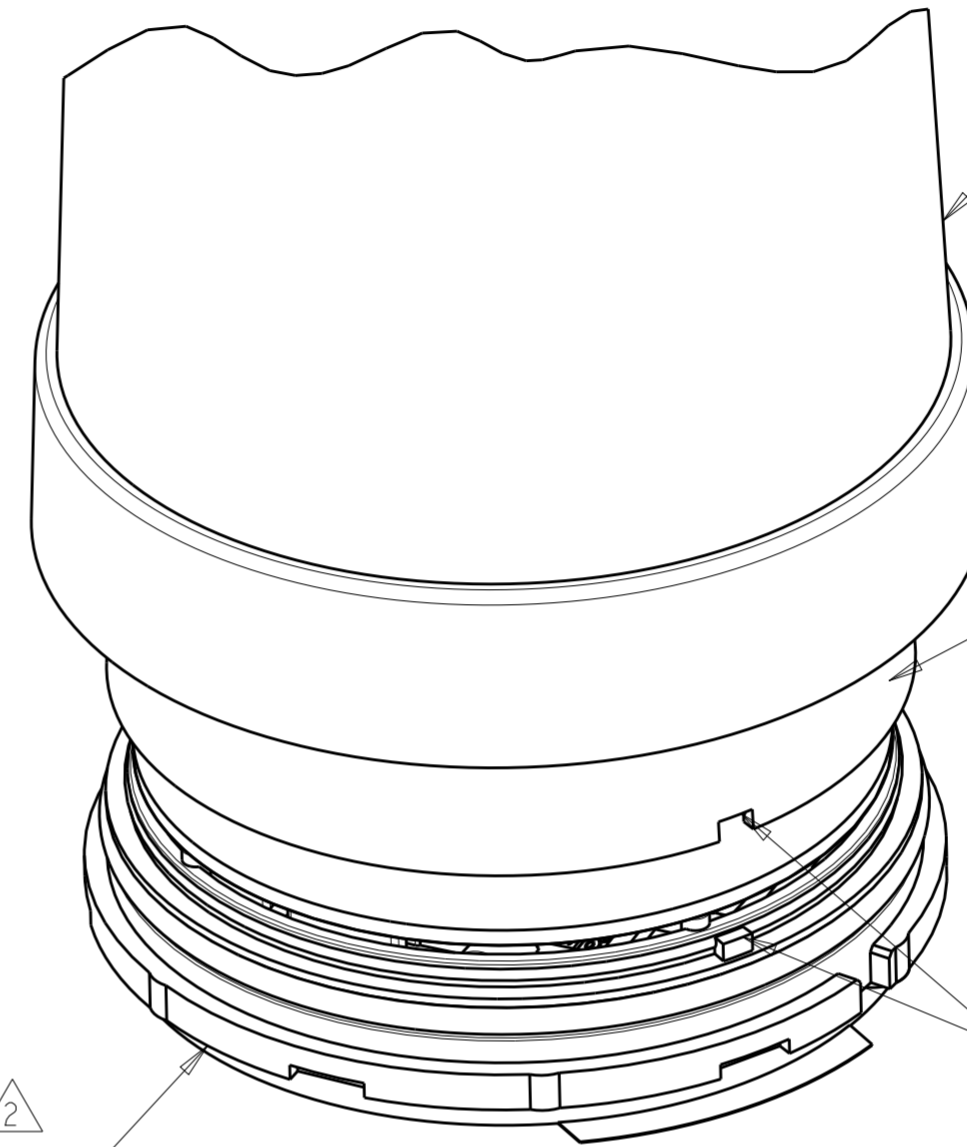
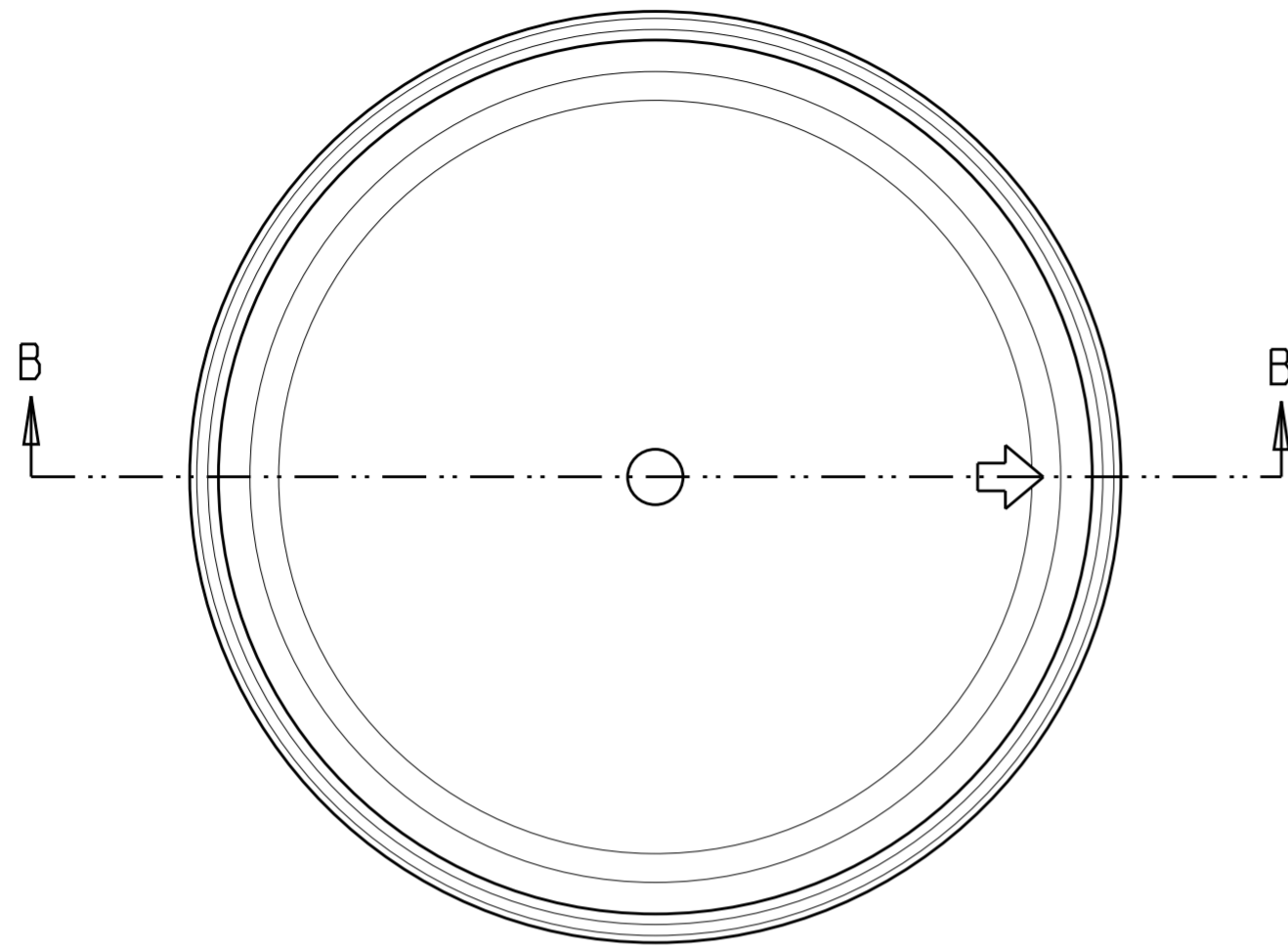
NO HOLE	BLUE	2-2213805-0
SIDE HOLE	JET BLACK	1-2213805-1
TOP HOLE	WHITE ALUMINUM	2213805-2
TOP HOLE	JET BLACK	2213805-1
DESCRIPTION	COLOR	PART NO.

THIS DRAWING IS A CONTROLLED DOCUMENT.		DWN J. SHAFFER 06APR2016	APVD	
DIMENSIONS: mm		CHK E. HOWARD 06APR2016	NAME SLEEVE, CONTROLLER, LIGHT BASE, MEDIUM, 76 DIA	
TOLERANCES UNLESS OTHERWISE SPECIFIED: 0 PLC ± 1 PLC ±0.3 2 PLC ±0.25 3 PLC ± 4 PLC ± ANGLES ± FINISH -		PRODUCT SPEC 108-32125	SIZE A2	RESTRICTED TO
MATERIAL 1		APPLICATION SPEC 114-32159	CAGE CODE -	DRAWING NO C-2213805
		WEIGHT -	SCALE 1:1	SHEET 1 OF 2
		CUSTOMER DRAWING	REV A	

STE TE Connectivity

THIS DRAWING IS UNPUBLISHED. RELEASED FOR PUBLICATION 20
 © COPYRIGHT 20 BY - ALL RIGHTS RESERVED.

REVISIONS				
P	LTR	DESCRIPTION	DATE	APVD
-		SEE SHEET 1	-	-



DOME P/N: 2213748-1
 1-2213748-1

SLEEVE P/N: 2213805-1
 2213805-2
 1-2213805-1
 2-2213805-0

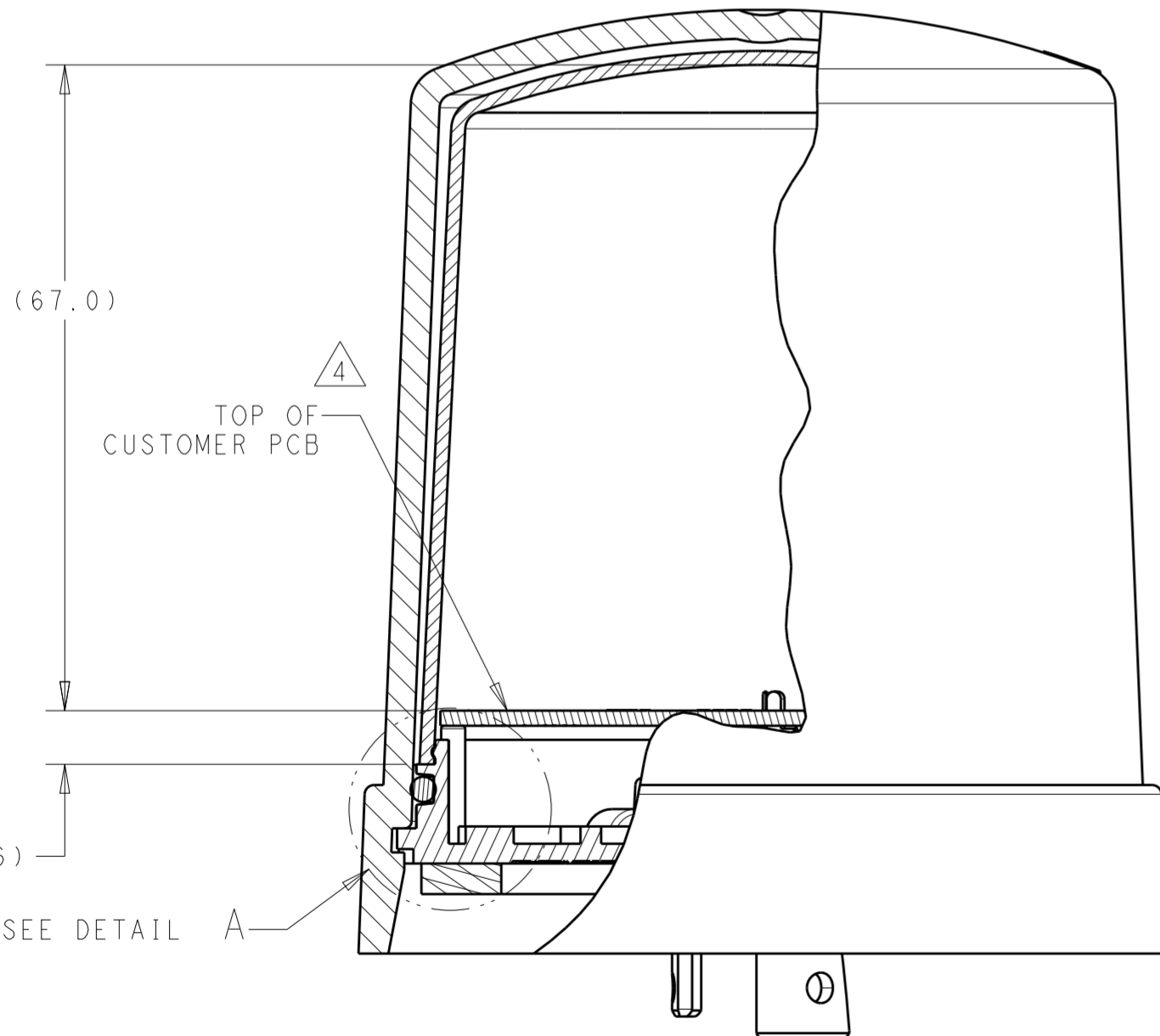
ALIGN KEY FEATURE IN SLEEVE TO KEY IN BASE

BASE ASSEMBLY:
 2213871-1
 1-2213871-1

SLEEVE CONTACTS
 BASE SURFACE

O-RING

DETAIL A
 SCALE 3:1



SECTION B-B
 SCALE 3:2

THIS DRAWING IS A CONTROLLED DOCUMENT.		DWN J. SHAFFER 06APR2016	TE Connectivity	
		CHK E. HOWARD 06APR2016		
DIMENSIONS:		APVD -	NAME SLEEVE, CONTROLLER, LIGHT BASE, MEDIUM, 76 DIA	
mm	TOLERANCES UNLESS OTHERWISE SPECIFIED:	PRODUCT SPEC 108-32125	RESTRICTED TO	
	0 PLC ±	APPLICATION SPEC 114-32159	SIZE A2	CAGE CODE -
	1 PLC ±0.3	WEIGHT -	DRAWING NO C-2213805	SCALE 1:1
	2 PLC ±0.25	CUSTOMER DRAWING	SHEET 2	OF 2
	3 PLC ±		REV A	
	4 PLC ±			
MATERIAL	FINISH			