

B I	BS SMT DIP SWITCH	CLASSIFICATION	BSS
		SHEET	BSS-001

1. SCOPE

This specification defines the requirements for SMT DIP SWITCHES specified below.

2. MODEL

BSS□

3. OUTLINE DIMENSION and MARKING

See page BSS-004 and BSS-005.

4. ELECTRICAL

4-1. PERFORMANCE SPECIFICATION

ITEM	SPECIFICATION
POSITIONS	8, 6, 4, 2
CONTACT RESISTANCE	INITIAL 30 mΩ max
	AFTER 2000actuations 80 mΩ max
CURRENT AND VOLTAGE RATING	Switching 100 mA max at 5 VDC (Resistive Load)
	Non-Switching 100 mA max at 50 VDC (Resistive Load)
INSULATION RESISTANCE (INITIAL) BETWEEN ADJACENT SWITCH POSITIONS	10000 MΩ min at 100 VDC
DIELECTRIC WITHSTANDING VOLTAGE	500 VAC for 1 minutes
CAPACITANCE BETWEEN ADJACENT SWITCHES	5 pF max
OPERATING FORCE	50 ~ 600 g

B I	BS DIP SWITCH	CLASSIFICATION	B S S
		SHEET	B S S - 0 0 2

5. ENVIRONMENTAL

TITLE	SPECIFICATION
OPERATING TEMPERATURE	-40°C ~ +85°C
MOISTURE RESISTANCE	95%Rh at 40°C for 96hours
VIBRATION	MIL-STD-202F-204D condition D 20gPeak 10Hz~2000Hz
SHOCK	MIL-STD-202F-213B condition I 100g for Peak
SOLDERABILITY	MIL-STD-202F-208E 245°C±5°C for 5sec
RESISTANCE TO SOLDERING HEAT	MIL-STD-202F-210A Soldering iron: 350°C±10°C for 3+1/2 sec (20W max)
	Flow : 260°C±5°C for 10±1sec
	Re-Flow : 240°C±5°C for 30sec max : 215°C±5°C for 60sec max
FLUX DIPPING (SEALED VERSION)	MIL-STD-202F-104A condition B 2cycles 15minutes/1cycle
LIFE (ELECTRICAL)	2000actuations

B I	BS SMT DIP SWITCH	CLASSIFICATION	B S S
		SHEET	B S S - 0 0 3

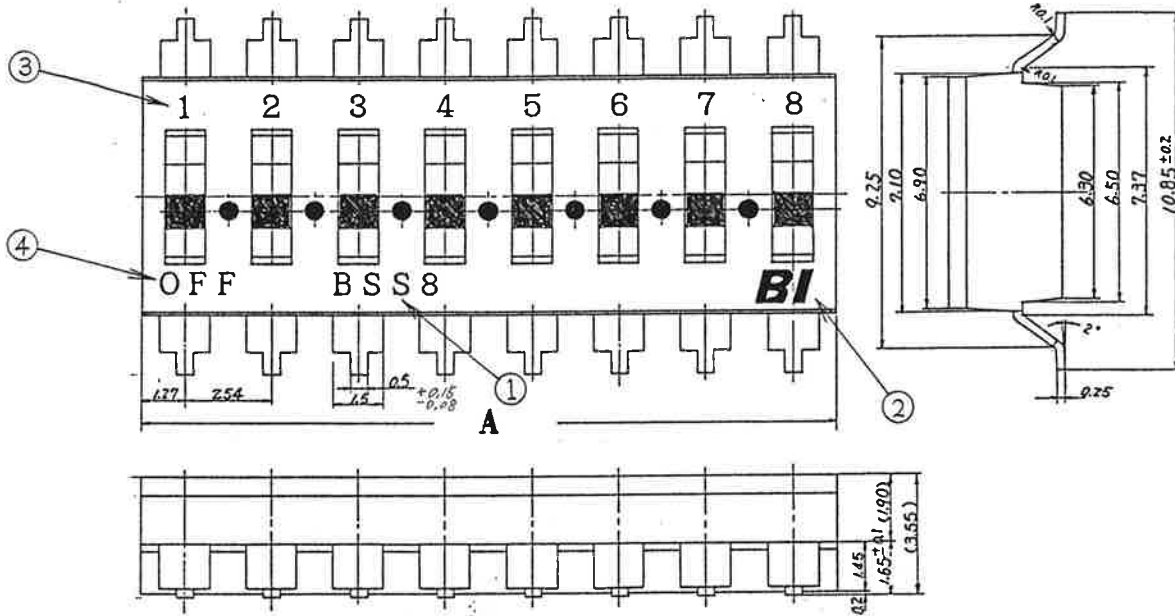
6. MODEL NUMBERS AND TYPE VARIATIONS

NUMBER OF POSITIONS	MODEL NUMBER	SEALING	HOUSING LENGTH A max (mm)	MARKING ON DEVICE See page BSS-005
2	B S S 2	SEALED	5. 2	NONE
			(5. 4)	
4	B S S 4	SEALED	1 0. 3 0	B S S 4
			(1 0. 5 0)	
6	B S S 6	SEALED	1 5. 2 6	B S S 6
			(1 5. 4 6)	
8	B S S 8	SEALED	2 0. 3 6	B S S 8
			(2 0. 5 6)	

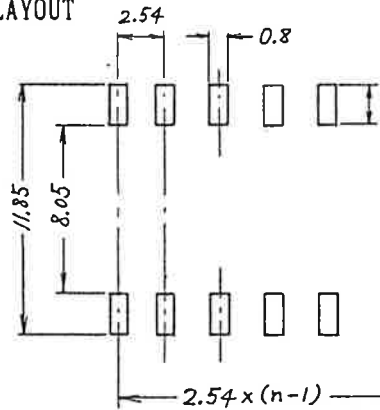
() : Including the thickness of Tape Seal.

B I	BS SMT DIP SWITCH	CLASSIFICATION	BSS
		SHEET	BSS-004

OUTLINE DIMENSIONS (UNIT:mm)



* PC BOARD LAYOUT



* LEADS COPLANAR TO $\pm 0.1\text{max}$

MARKING

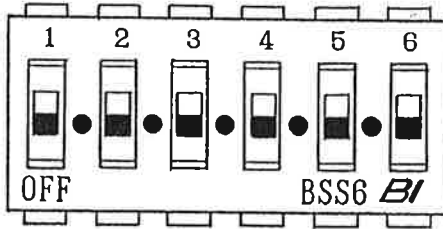
- ① : MODEL NUMBER
- ② : MANUFACTURER'S LOGO
- ③ : NUMBERS OF POSITION
- ④ : OFF POSITION

7		
6	SEAL	POLYIMIDE TAPE
5	SLIDE KNOB	15%GLASS filled 6/6NYLON
4	SLIDE CONTACTS	BERYLLIUM COPPER GOLD over NICKEL
3	LEAD FRAME	BRASS GOLD over NICKEL
2	HOUSING COVER	30%GLASS filled PPS
1	HOUSING BASE	30%GLASS filled PPS
P/N	PARTS NAME	MATERIAL

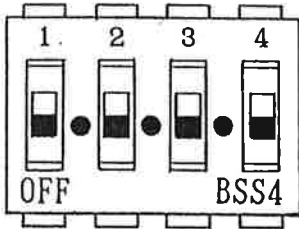
B I	BS SMT DIP SWITCH	CLASSIFICATION	BSS
		SHEET	BSS-005

MARKING ON DEVICE

6Pos



4Pos



2Pos

