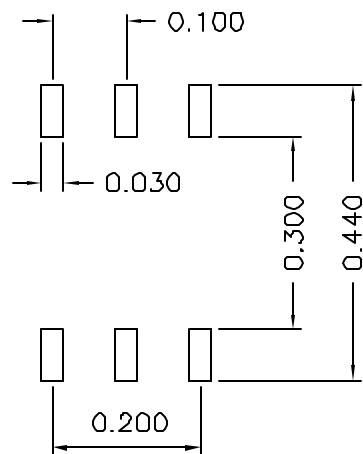
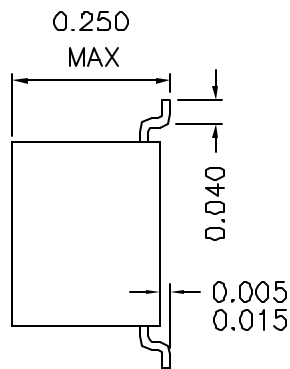
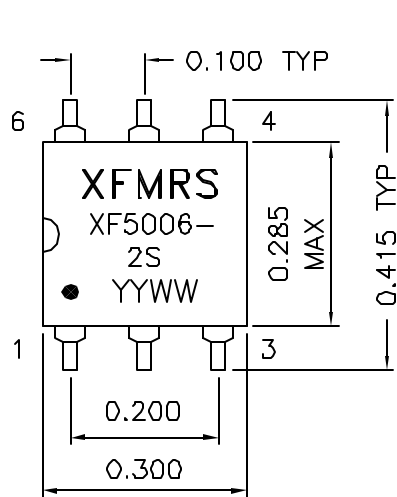
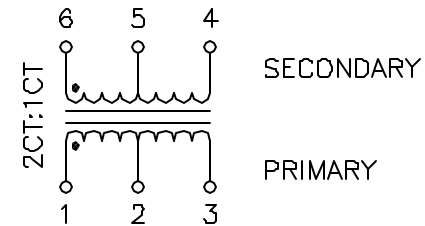


1. Mechanical Dimensions



SUGGESTED PCB LAYOUT

2. Schematic:



3. Electrical Specifications:

- ISOLATION: 1500VAC
- TURNS RATIO: (Pri:Sec)=2CT:1CT ±5%
- Pri OCL: 500uH Min @100KHz 50mV
- Cw/w: 18pF Max @100KHz 50mV
- Pri/Sec LL: 0.7uH Max @100KHz 50mV
- Pri DCR: 0.9 Ohms Max
- Sec DCR: 0.45 Ohms Max
- ET Constant: 5.0VuS Min
- Rise Time: 6.0nS Max

Notes:

1. Solderability: Leads shall meet MIL-STD-202, Method 208D for solderability.
2. Flammability: UL94V-0
3. ASTM oxygen index: > 28%
4. Insulation System: Class F 155°C. UL file E151556
5. Operating Temperature Range: All listed parameters are to be within tolerance from -40°C to +85°C
6. Storage Temperature Range: -55°C to +125°C
7. Aqueous wash compatible
8. SMD Lead Coplanarity: ±0.004*(0.102mm)
9. Moisture Sensitivity: Level 2

DOC. REV: A/1

PROPRIETARY

Document is the property of XFMRS Group & is not allowed to be duplicated without authorization.

XFMRS Inc	Title: TRANSFORMER	
	UNLESS OTHERWISE SPECIFIED TOLERANCES: .xxx ±0.010	P/N: XF5006-2S
Dimensions in INCH	DWN. 李清儿	Jul-06-04
SHEET 1 OF 1	CHK. 孙悦	Jul-06-04
	APP. J Ng	Jul-06-04