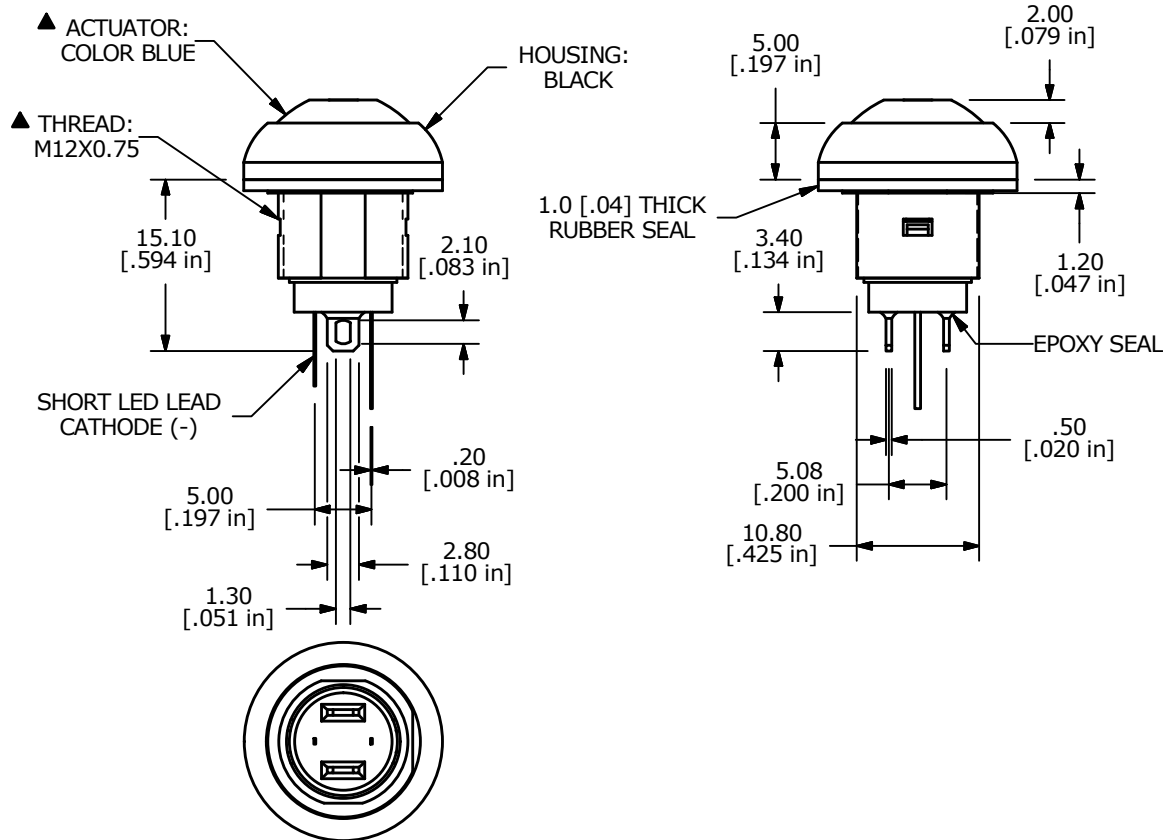


LED PARAMETER	FORWARD CURRENT	FORWARD VOLTAGE @ 20mA	LUMINOUS INTENSITY
UNITS	mA	V	mcd
BLUE	20	3.1 - 3.6	580

- NOTE:**
- ALL DIMENSIONS IN MM [INCH]
  - GENERAL TOLERANCE: X.X=±0.4  
X.XX=±0.25
  - TERMINAL NUMBERS FOR REF ONLY
  - CIRCUIT: SPST OFF-MOMENTARY ON
  - CONTACT MATERIAL: Gold over SILVER
  - ▲ 6. RATING: 125mA @ 125 VAC  
100mA @ 50 VDC**
  - ELECTRIC LIFE: 500,000 CYCLES AT FULL LOAD
  - CONTACT RESISTANCE: 50 milli-OHM max. (INITIAL)
  - INSULATION RESISTANCE: 1,000 MEGA-OHM min. @ 500VDC.
  - DIELECTRIC STRENGTH: 1,000 VAC rms.
  - OPERATING FORCE: 350 gf +/- 150 gf
  - OPERATING TEMPERATURE: -30°C TO +85°C.
  - CONTACT BOUNCE: 10ms MAX.
  - ▲ 14. TRAVEL: 1.5mm**
  - PANEL THICKNESS RANGE: 1.5 - 4.0 mm.
  - ▲ 16. DENOTES CRITICAL PARAMETER.**
  - 2011/65/EU (ROHS) COMPLIANT
  - MAX MOUNTING TORQUE: 1.5 Nm APPLIED TO THE NUT
  - ▲ 19. HARDWARE INCLUDED:**
    - T081101 LOCK WASHER (1)
    - T081102 HEX NUT (1)
    - T081100 RUBBER SEAL (1)
  - SEAL RATING: IP67 AT THE FRONT PANEL



REV	PCR NO	DESCRIPTION	DATE	BY
E	22427	ADDED BOTTOM VIEW	8/8/16	MJR
D	21594	CHANGE NOTE 20: IP67 WAS IP65	9/24/14	EBP

<b>E-SWITCH®</b>				
TITLE <b>RP8100B2M1CEBLKBLUBLU</b>				
SCALE	DATE	DR	DWG	REV
3:2	3/18/2008	BLR	ST081030	E

THE INFORMATION CONTAINED IN THIS DOCUMENT IS PROPRIETARY TO E-SWITCH AND IS NOT TO BE COPIED OR TRANSFERRED