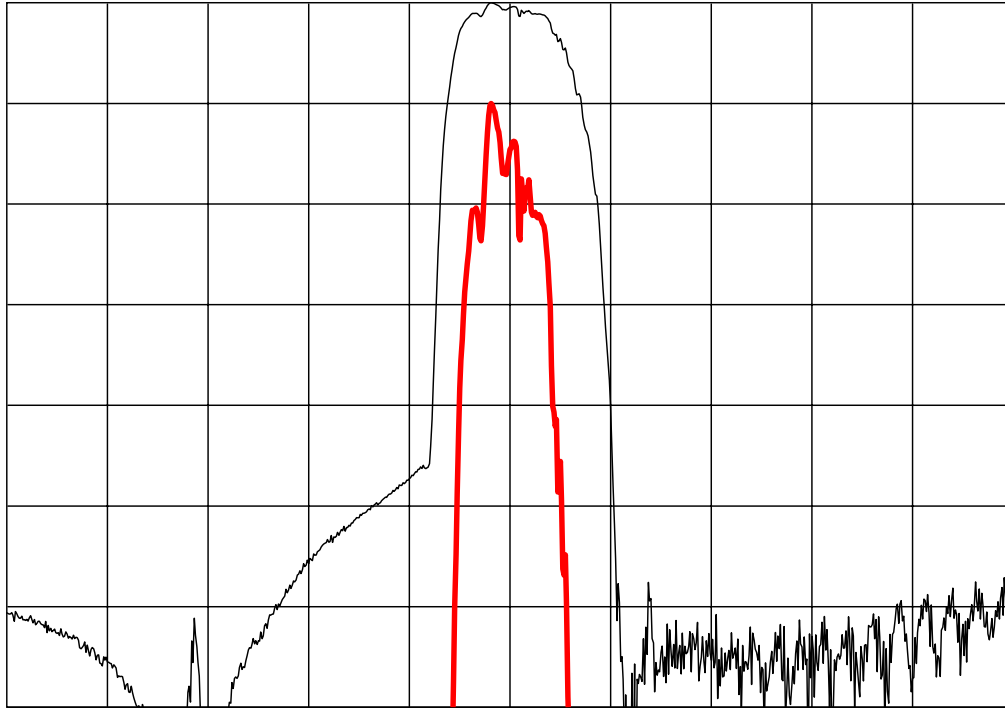


**DESCRIPTION**

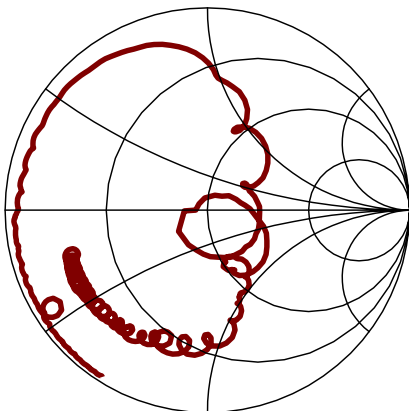
- 147 MHz SAW bandpass filter with 8 MHz bandwidth.
- 9 x 7 mm ceramic LCC.
- RoHS compliant.

**TYPICAL PERFORMANCE**

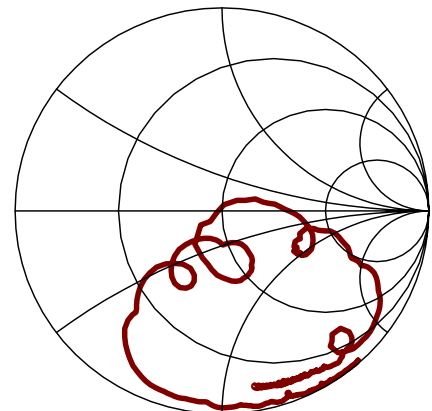


Horizontal: Frequency : 20 MHz/div  
 Vertical from Top: Relative Magnitude : 10 dB/div  
 Relative Magnitude : 1 dB/div

**S11 (97-197 MHz)**



**S22 (97-197 MHz)**



## SPECIFICATION

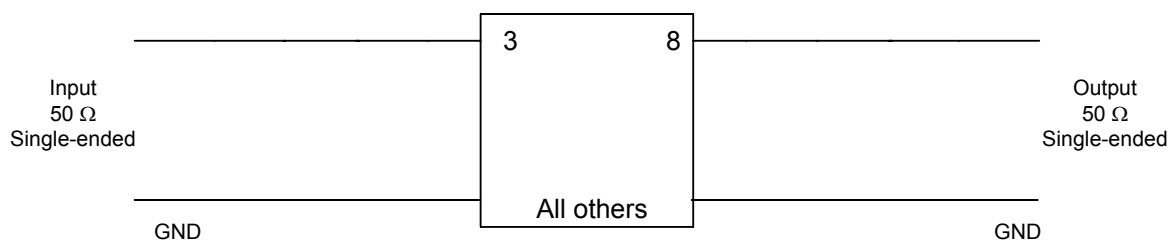
Parameter	Min	Typ	Max	Units
Center Frequency, $F_C$ <sup>1</sup>	-	147	-	MHz
Insertion Loss	-	3.2	5	dB
Lower 3 dB Band Edge <sup>2</sup>	-	142	143	MHz
Upper 3 dB Band Edge <sup>2</sup>	151	152	-	MHz
Amplitude Ripple (143 to 151 MHz)	-	2.5	3.0	dB p-p
Absolute Attenuation (47 to 108.2 MHz) <sup>2</sup>	50	55	-	dB
Absolute Attenuation (185.8 to 247 MHz) <sup>2</sup>	50	55	-	dB
Absolute Attenuation (247 to 367.5 MHz) <sup>2</sup>	40	45	-	dB
Input and Output Return Loss	-	6	-	dB
Temperature Coefficient	-80			ppm/°C
Source/Load Impedance	50			Ω
Ambient Temperature	25			°C

- Notes: 1. Defined as the average of the lower and upper 3 dB frequencies at room ambient.  
2. All dB levels are defined relative to the insertion loss.

## MAXIMUM RATINGS

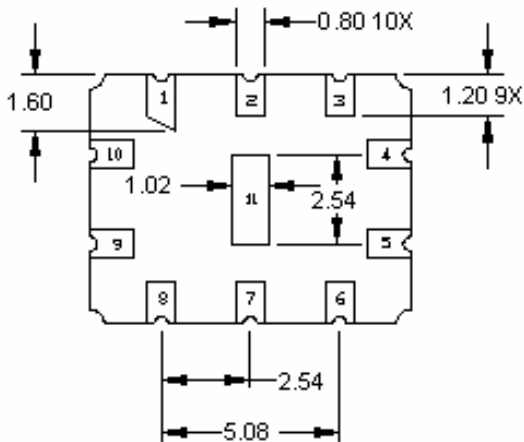
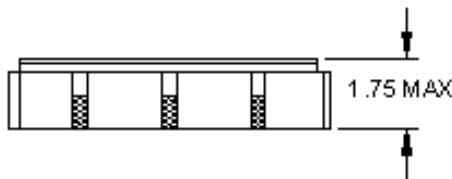
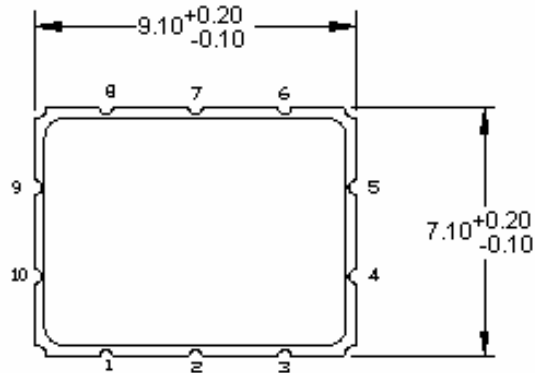
Parameter	Min	Max	Units
Storage Temperature Range	-40	85	°C
Operating Temperature Range	0	50	°C
Input Power Level	-	15	dBm

## MATCHING CIRCUIT



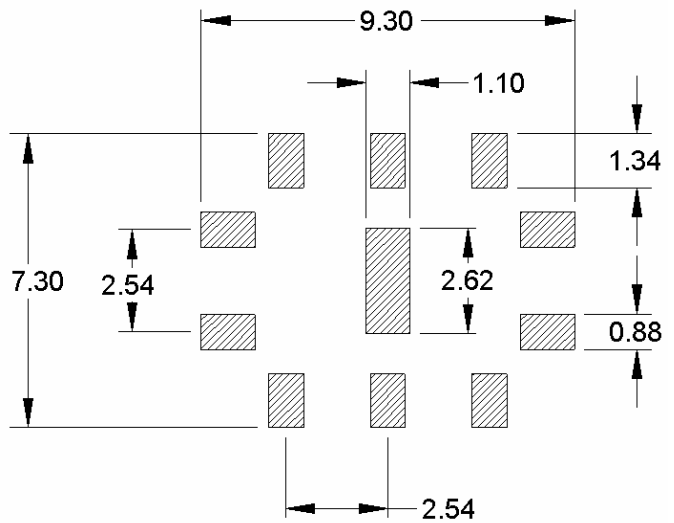
Note: Matching components are not required.

**PACKAGE OUTLINE**



Package Material:  
Body:  $Al_2O_3$  ceramic  
Lid: Kovar, Ni plated  
Terminations: Au plating 1  $\mu$ m min,  
over a 1.3-8.9  $\mu$ m Ni plating

**SUGGESTED FOOTPRINT**



**Units:** mm

Tolerances are  $\pm 0.15$  mm except where indicated.

**Pad Configuration:**

Input: 3  
Output: 8  
Ground: all other pads

ISO 9001  
Registered

All specifications are believed to be accurate and reliable. However, Spectrum Microwave reserves the right to make changes without notice.  
© 2010 All rights reserved.

**Spectrum Microwave**  
400 Nickerson Road, Marlborough, MA 01752, USA • Phone 1-508-251-6400 • Fax 1-508-251-6401  
www.SpectrumMicrowave.com