



CHENMKO ENTERPRISE CO.,LTD

Lead free devices

SCHOTTKY BARRIER RECTIFIER

VOLTAGE RANGE 20 - 40 Volts CURRENT 15 Amperes

**S15P20PT
THRU
S15P40PT**

FEATURES

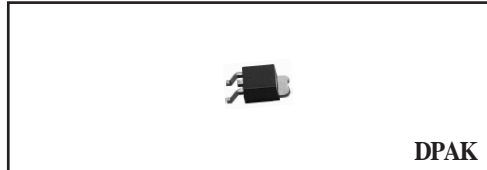
- * Plastic package has Underwriters Laboratory Flammability Classification 94V-0
- * Metal Silicon junction, majority carrier conduction
- * Low power loss,high efficiency
- * High current capability, low forward voltage drop
- * Guardring for overvoltage protection
- * For use in low voltage, high frequency inverters, free wheeling, and polarity protection applications
- * High temperature soldering in accordance with CECC 802 / Reflow guaranteed

MECHANICAL DATA

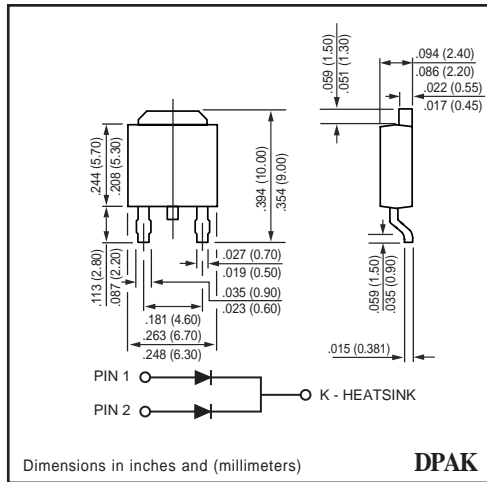
Case: JEDEC DPAK molded plastic
Terminals: Lead solderable per MIL-STD-750, Method 2026
Polarity: As marked
Weight: 1.7 grams (Approximately)

MAXIMUM RATINGS AND ELECTRICAL CHARACTERISTICS

Ratings at 25°C ambient temperature unless otherwise specified.
 Single phase, half wave, 60 Hz, resistive or inductive load.
 For capacitive load, derate current by 20%.



DPAK



Dimensions in inches and (millimeters)

DPAK

MAXIMUM RATINGS (At TA = 25°C unless otherwise noted)

RATINGS	SYMBOL	S15P20PT	S15P30PT	S15P40PT	UNITS
Maximum Recurrent Peak Reverse Voltage	VRRM	20	30	40	Volts
Maximum RMS Voltage	VRMS	14	21	28	Volts
Maximum DC Blocking Voltage	VDC	20	30	40	Volts
Maximum Average Forward Rectified Current	IO	15.0			Amps
Peak Forward Surge Current 8.3 ms single half sine-wave superimposed on rated load (JEDEC method)	IFSM	150			Amps
Typical thermal resistance per leg (NOTE 1)	R θJC	2.5			°C / W
Operating and Storage Temperature Range	TJ, TSTG	-40 to +125			°C

ELECTRICAL CHARACTERISTICS (At TA = 25°C unless otherwise noted)

CHARACTERISTICS	SYMBOL	S15P20PT	S15P30PT	S15P40PT	UNITS
Maximum Instantaneous Forward Voltage at 7.5 A DC	VF	0.55			Volts
Maximum instantaneous reverse current at rated DC blocking voltage per leg (NOTE 2)	Tc = 25°C	IR	1.0		mAmps
	Tc = 100°C		50		mAmps

NOTES : 1. Thermal resistance from junction to case per leg
 2. Pulse test : 300 us pulse width, 1% duty cycle

RATING CHARACTERISTIC CURVES (S15P20PT THRU S15P40PT)

FIG. 1 - TYPICAL FORWARD CURRENT DERATING CURVE

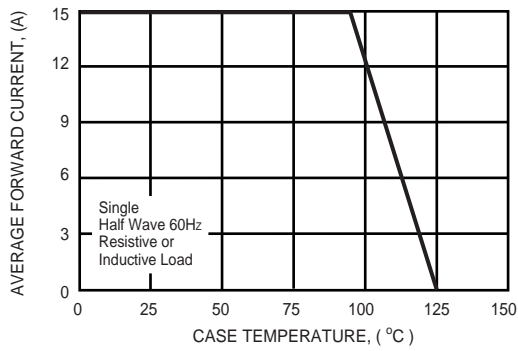


FIG. 2 - MAXIMUM NON-REPETITIVE FORWARD SURGE CURRENT

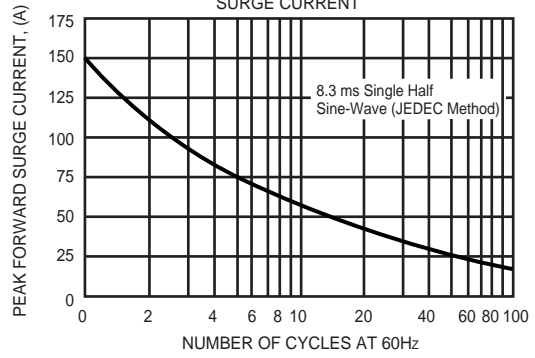


FIG. 3 - TYPICAL INSTANTANEOUS FORWARD CHARACTERISTICS

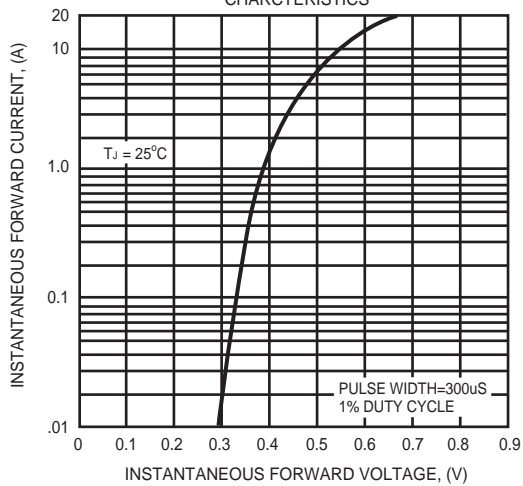


FIG. 4 - TYPICAL REVERSE CHARACTERISTICS

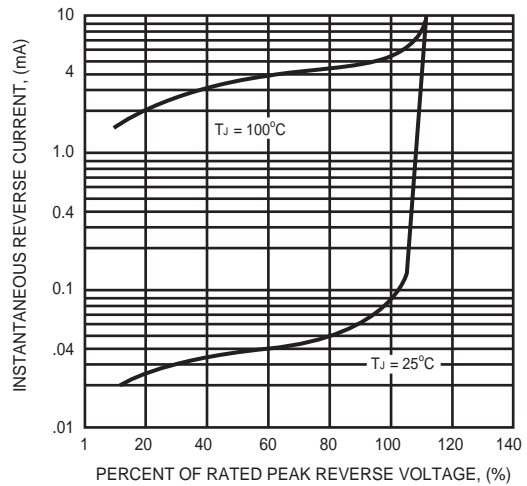


FIG. 5 - TYPICAL JUNCTION CAPACITANCE

