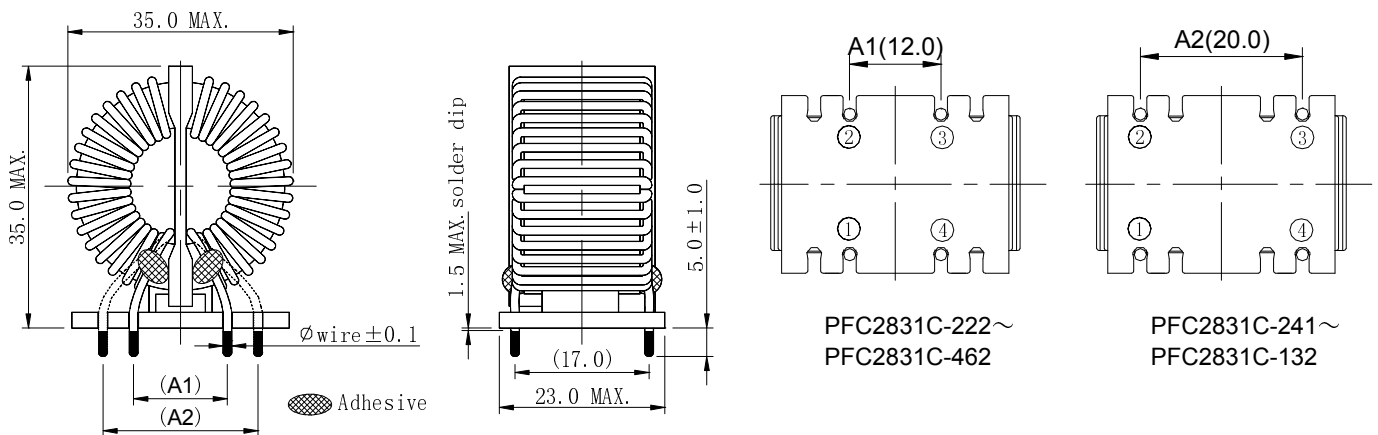


Type: PFC2831C
◆ Product Description

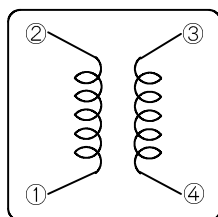
- AC line noise filter.
- Core material: Ferrite
- Custom design is available.


◆ Feature

- Max. operating frequency: 1MHz.
- Safety standard conformance such as UL.
- Storage temperature range: -40°C~+105°C.
- Operating temperature range: -40°C~+105°C (including coil's self-heat).
- Ideally used in TV, VCRs, OA device.
- RoHS Compliance.

◆ Dimensions (mm)


- * Dimension does not include solder used on coil.
- * Dimensions without tolerance are approx.
- * Pin pitch shall be measured at the root of terminal.

◆ Schematics (Bottom)


- * Winding start is #1,#4 or #2,#3.
- * #1, #2 : should have same polarity.

Type: PFC2831C
◆ Specification

No.	Part No.	Stamp	Wire (mm)	Pin pitch	Inductance (mH) (1-2)or(4-3) Min.	Inductance balance (μH) Max.	D.C.R.(mΩ) At 20°C (1-2)or(4-3) Max.	Permission current (Arms) (50Hz/60Hz) (1-4) ※
01	PFC2831C-241	241	φ1.5	20mm	0.24	30	4.0	15.0
02	PFC2831C-551	551	φ1.5		0.55	50	5.9	12.5
03	PFC2831C-981	981	φ1.4		0.98	70	9.2	11.0
04	PFC2831C-132	132	φ1.3		1.3	80	13.0	10.0
05	PFC2831C-222	222	φ1.2	12mm	2.2	100	20.0	8.0
06	PFC2831C-332	332	φ1.1		3.3	120	28.0	7.0
07	PFC2831C-462	462	φ1.0		4.6	180	40.0	6.0

- * Rated current:250 Vrms,50Hz/60Hz
- * Measuring frequency Inductance 1kHz,0.1V
- ※ Permission current : When temperature of coil increased up to 40°C. (Ta=20°C)
- * (2-3)between to be shorted when using.
- * Winding turns are approx, Turns rate is fixed.

Impedance Characteristic (ref.)
