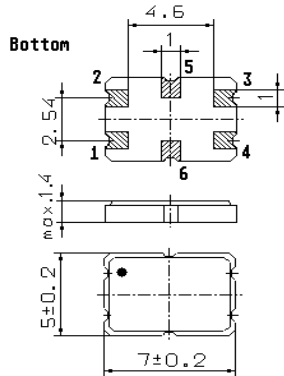
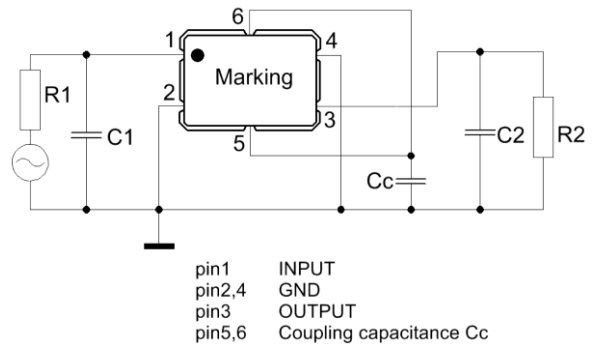


1. General

1.1. Package:



GS 2



- | | |
|-----------------------------------|-------------------|
| 1.2. Type name: | MQF 73.35-5000/06 |
| 1.3. Number of poles: | 4 |
| 1.4. Operating temperature range: | -40°C to +90°C |
| 1.5. Storage temperature range: | -40°C to +90°C |

2. Electric values

- | | |
|---|---|
| 2.1. Nominal center frequency fo: | 73.35 MHz |
| 2.1.1 Center Frequency: fc at 25°C | fo ± 1.5 kHz |
| 2.2. Pass band | |
| 2.2.1. Bandwidth between 3 dB - frequencies: | > fo ± 25 kHz |
| 2.2.2. Bandwidth between 1 dB - frequencies: | > fo ± 20.25 kHz |
| 2.2.3. Ripple: | < 1.0 dB at fo ± 21 kHz |
| 2.2.4. Insertion loss: | < 2.5 dB |
| (measured on smallest attenuation in pass band) | |
| 2.3. Stop band | |
| 2.3.1. fo ± 50 kHz | > 13.5 dB |
| 2.3.2. fo ± 100 kHz | > 28 dB |
| 2.4. Group delay distortion fo ± 20 kHz | < 20 µs |
| 2.5. Terminating impedance R//C (input and output): | 1350 Ω // 0.2 pF |
| 2.5.1. Coupling capacitance | 2 pF |
| 2.6. Maximum input power level | 0 dBm |
| 2.7. Intermodulation | |
| 2.7.1. frequency 1 / 2: | fo ± 200 kHz / fo ± 400 kHz |
| 2.7.2. Input power level: | -20 dBm |
| 2.7.3. IP3: | > +23 dBm |
| 3. Marking: | • M73355
yyww |
| 4. Environment conditions: | Corresponding to Vectron standard CF001 |
| 5. Filters are Pb-free and 2002 /95 / EC RoHS compliant | |