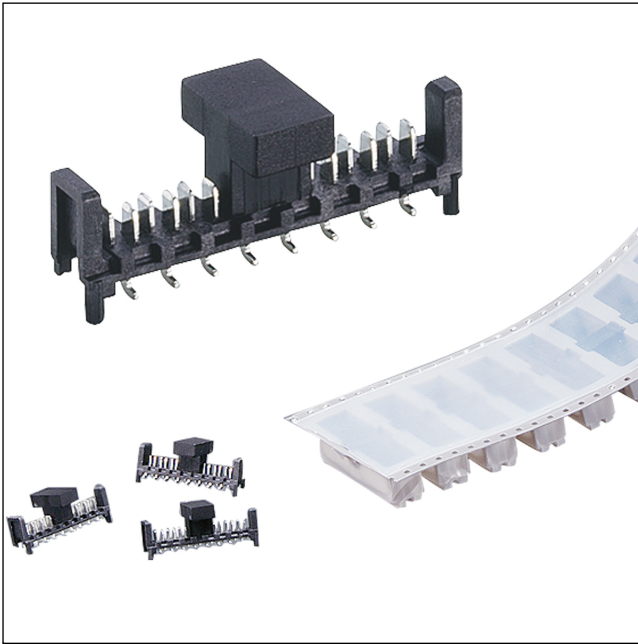


30 MICS/SMD RP

Micromodul™ connectors, pitch 1.27 mm



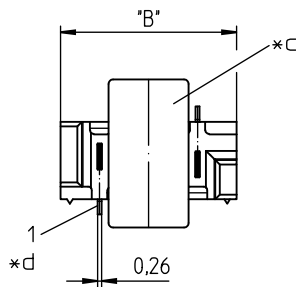
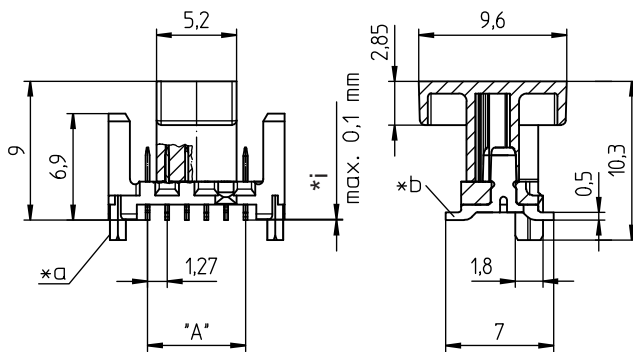
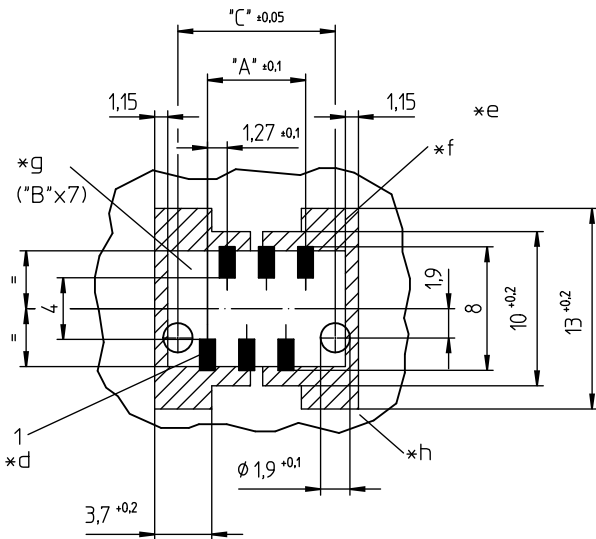
Micromodul™ tab header, upright, in surface mount technology (SMT), solder contacts dual row staggered, with press-fit spigots, on reel, with pick-and-place top

State: Active

Approvals:



30 MICS/SMD RP



Environmental conditions

Temperature range -40 °C/+140 °C¹

¹ upper limit temperature (insulating body) RTI (electrical) of the UL Yellow Card

Materials

Insulating body PA GF, V-0 according to UL94
Contact tab CuZn, pre-nickel and tin-plated – MICS/SMD RP
CuZn, pre-nickel and gold-plated – MICS/SMD RP AU

Mechanical data

Expression force contact tab from insulating body ≥ 7 N/contact

Electrical data (at T_{amb} 20 °C)

Rated current 1,2 A
Rated voltage 80 V AC
(250 V AC ohne Berücksichtigung der Kriech- und Luftstrecken nach IEC 60664/DIN EN 60664)
Material group II (IEC)/I (UL) (CTI ≥ 450)
Creepage distance 0,97 mm
Clearance 0,97 mm
Insulation resistance > 1 G Ω

30 MICS/SMD RP

-
- *a press-fit spigot
 - *b SMT solder area, contact bearing surface 0.3 x 1.2 mm
 - *c pick-and-place top
 - *d contact 1
 - *e printed circuit board layout, components side view
 - *f necessary space for use of pull-off tongs AZ30
 - *g component area (B x 7)
 - *h recommended thickness of circuit board 1.5 ±0.14 mm
 - *i coplanarity

30 MICS/SMD RP

Designation	Pole Number	PU (Pieces)	MDQ (Pieces)	Dimensions				
				A (mm)	B (mm)	C (mm)	D (mm)	E (mm)
MICS/SMD 04 RP	4	3500	3500	3.81	8.86	7.66	-	-
MICS/SMD 06 RP	6	3500	3500	6.35	11.40	10.20	-	-
MICS/SMD 08 RP	8	3500	3500	8.89	13.94	12.74	-	-
MICS/SMD 10 RP	10	3500	3500	11.43	16.48	15.28	-	-
MICS/SMD 12 RP	12	3500	3500	13.97	19.02	17.82	10.82	-
MICS/SMD 14 RP	14	3500	3500	16.51	21.56	20.36	10.82	-
MICS/SMD 16 RP	16	3500	3500	19.05	24.10	22.90	10.82	-
MICS/SMD 18 RP	18	3500	3500	21.59	26.64	25.44	10.82	7.00
MICS/SMD 20 RP	20	3500	3500	24.13	29.18	27.98	10.82	9.54
MICS/SMD 26 RP	26	2400	2400	31.75	36.80	35.60	13.35	14.62
MICS/SMD 04 0,4 AU RP	4	3500	3500	-	-	-	-	-
MICS/SMD 06 0,4 AU RP	6	3500	3500	-	-	-	-	-
MICS/SMD 08 0,4 AU RP	8	3500	3500	-	-	-	-	-
MICS/SMD 10 0,4 AU RP	10	3500	3500	-	-	-	-	-
MICS/SMD 14 0,4 AU RP	14	3500	3500	-	-	-	-	-
MICS/SMD 16 0,4 AU RP	16	3500	3500	-	-	-	-	-
MICS/SMD 20 0,4 AU RP	20	3500	3500	-	-	-	-	-
MICS/SMD 04 0,8 AU RP	4	3500	3500	-	-	-	-	-
MICS/SMD 06 0,8 AU RP	6	3500	3500	-	-	-	-	-
MICS/SMD 08 0,8 AU RP	8	3500	3500	-	-	-	-	-
MICS/SMD 10 0,8 AU RP	10	3500	3500	-	-	-	-	-
MICS/SMD 12 0,8 AU RP	12	3500	3500	-	-	-	-	-
MICS/SMD 16 0,8 AU RP	16	3500	3500	-	-	-	-	-
MICS/SMD 20 0,8 AU RP	20	3500	3500	-	-	-	-	-

Packaging:
on reel