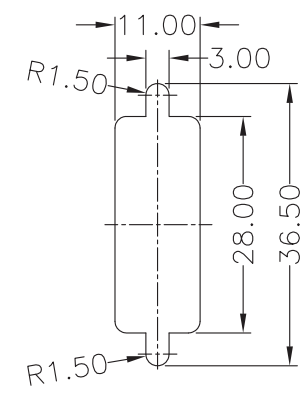
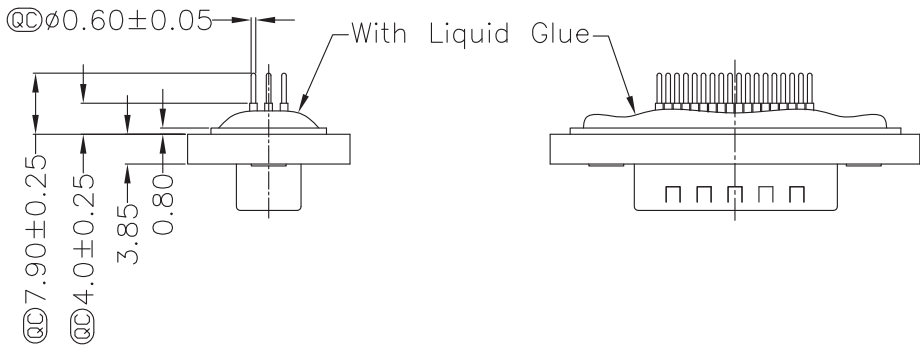
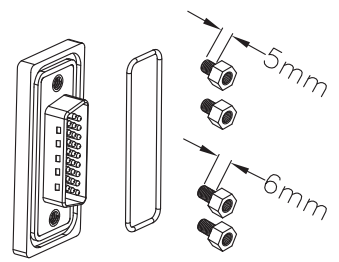


Screw L=5.0 For Panel Thickness Under 1.2mm

Screw L=6.0 For Panel Thickness Between 1.2~2.0mm



Recommended Panel Cut-Out

- Material:**
- Waterproof rate: IP67
 - Connector: Black, Nylon+GF
 - Pin: Copper alloy, Gold plated

Unit: mm



Scale	Free						Date	Name
TOLERANCE						Drawn	30.11.11	Chappell
X.X	± 0.25					Approved		
X.XX	± 0.10							
X.XXX	± 0.05							
DIM	TOL							
X.°	$\pm 1^\circ$							
X.X°	$\pm X^\circ$							
Angle	TOL							
Id.	Modification	Date	Name	1840 W. Drake Drive, Suite 101 • Tempe, AZ 85283 Toll Free: 1-877-277-6266 • Email: info@assmann.us				

Title	Waterproof DSub connector High Density, Straight 26 pin, Male	
ASSMANN WSW-No.	A-HDS26PP-WP	
Drawing-No.		rev00
Replace		Sheet 1/1