

THIS DRAWING IS UNPUBLISHED.

RELEASED FOR PUBLICATION

ALL RIGHTS RESERVED.

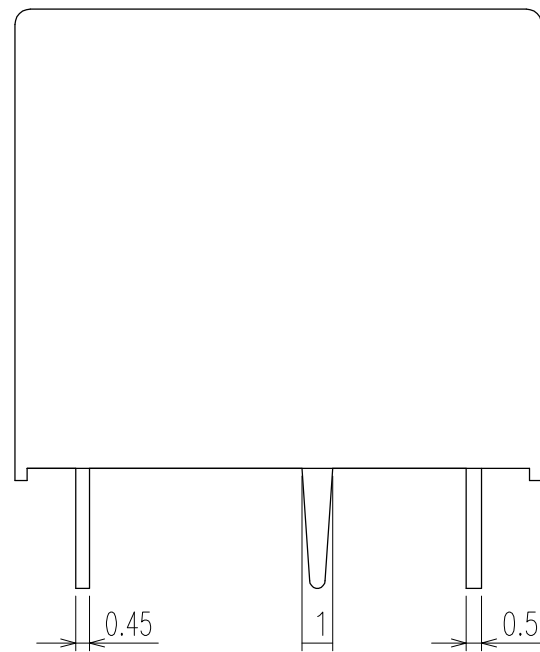
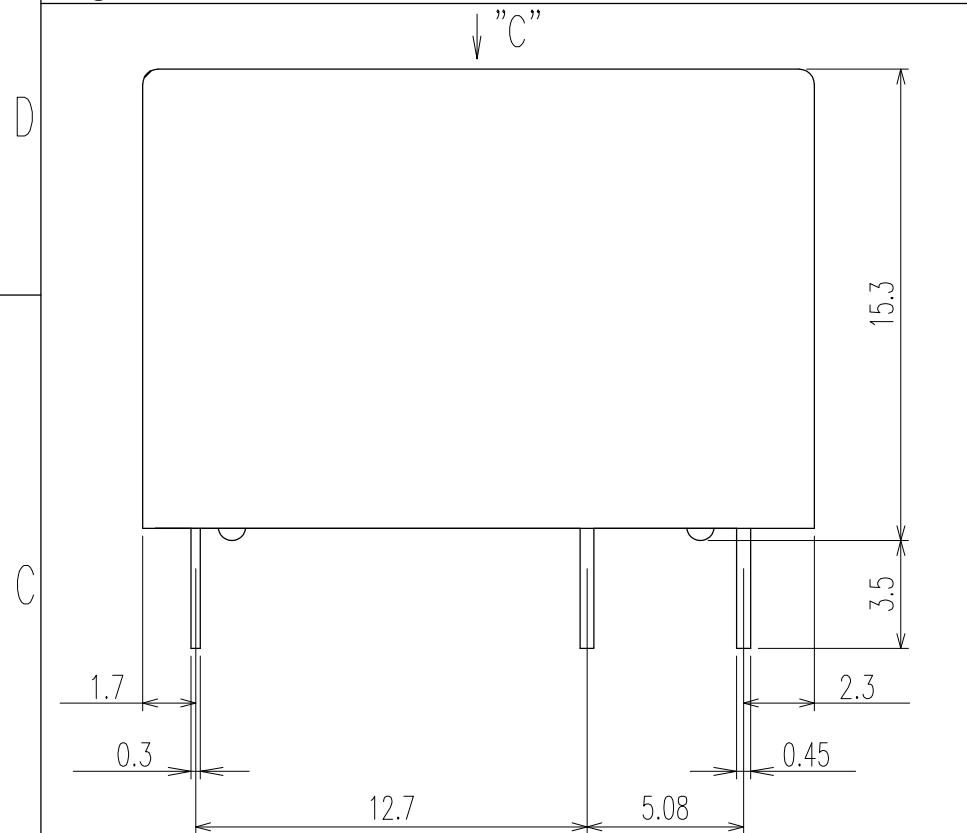
© COPYRIGHT

LOC HB

DIST

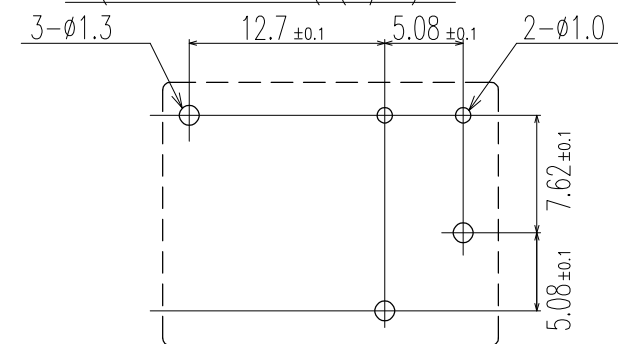
REVISIONS

P	LTR	DESCRIPTION	DATE	DWN	APVD
	B2	REVISED PER ECO-11-005140	29MAR11	RK	HMR

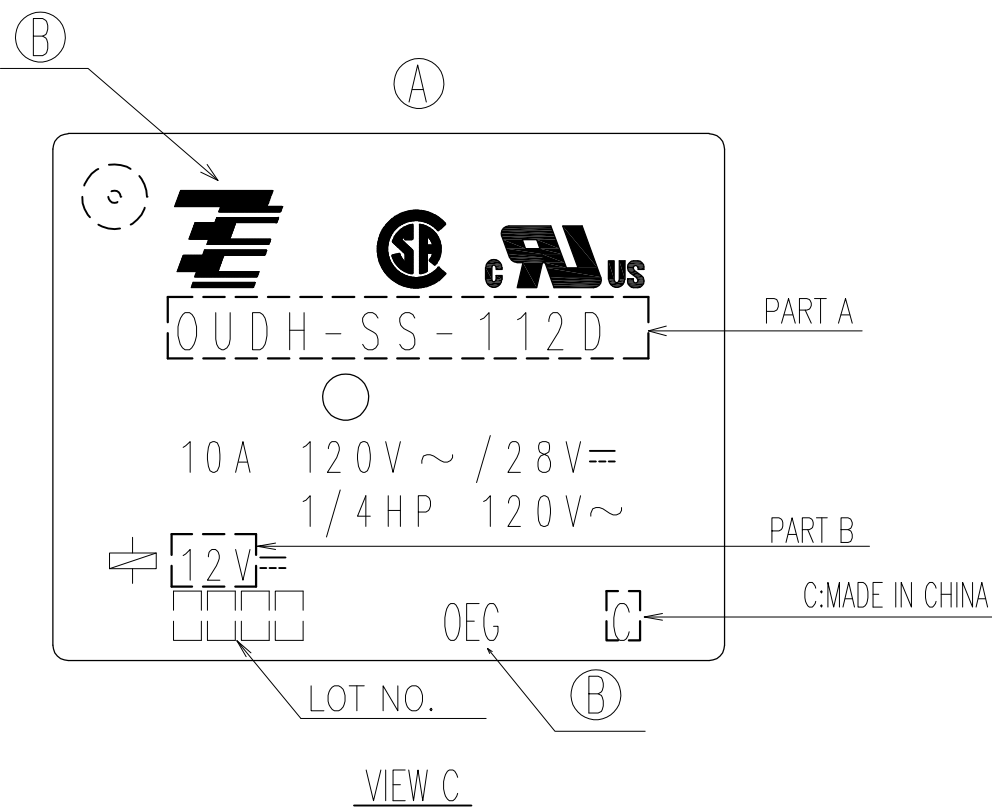
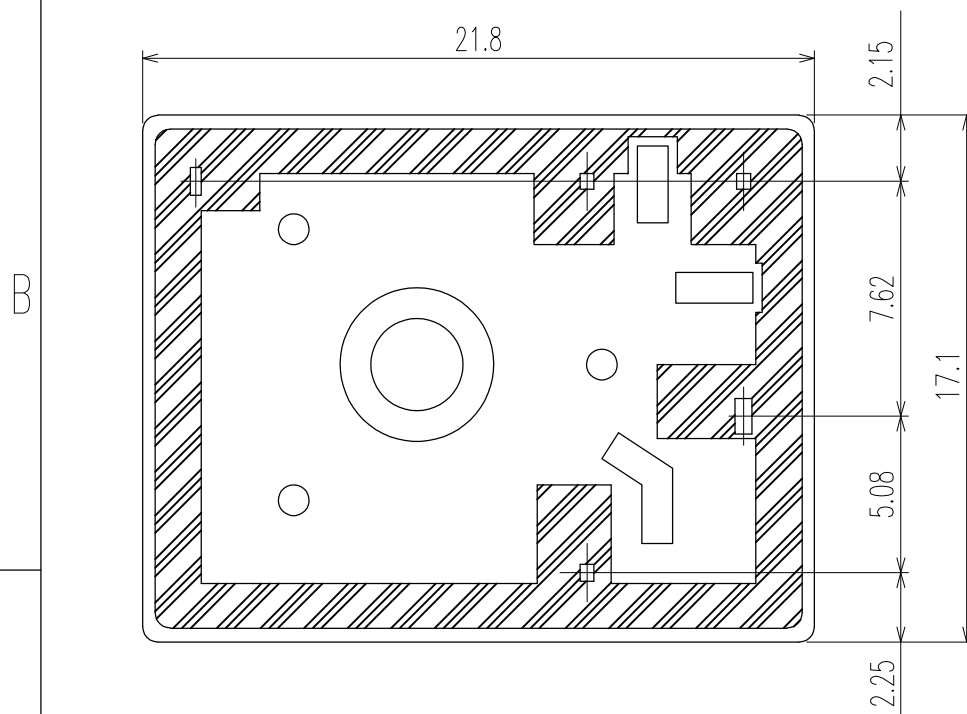
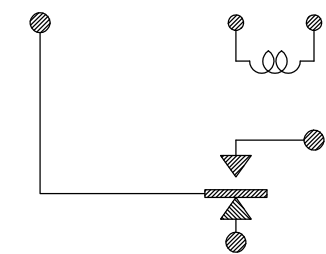


DRILLING DIAGRAM

(BOTTOM VIEW (2/1))



CONNECTION DIAGRAM(BOTTOM VIEW)



GENERAL TOLERANCE

DIMENSION	TOLERANCE
Max. 1mm	±0.1
1mm~Max. 3mm	±0.2
Min. 3mm	±0.3

DIMENSIONS: mm	TOLERANCES UNLESS OTHERWISE SPECIFIED: 0 PLC ± 1 PLC ± 2 PLC ± 3 PLC ± 4 PLC ± ANGLES ±	DWN	H.SASAKI	TE Connectivity			
		CHK	N.FUNAYAMA				
MATERIAL	FINISH	APVD	A.NAGAI	NAME			
		PRODUCT SPEC	-	OU DH-D SPEC,000 CUSTOMER DRAWING			
		APPLICATION SPEC	-	SIZE	CAGE CODE	DRAWING NO	RESTRICTED TO
		WEIGHT	-	A3	00779	3-1440007-0	-
		CUSTOMER DRAWING		SCALE	SHEET	OF	REV
				4:1	1	2	B2

LOC HB	DIST	REVISIONS						
		P	LTR	DESCRIPTION	ECN	DATE	DWN	APVD

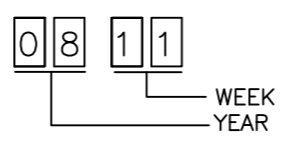
ⓑ	1461249-1	0UDH-SH-148D ,000	48V	0UDH-SH-148D	j
ⓑ	7-1419129-4	0UDH-SH-124D ,000	24V	0UDH-SH-124D	i
ⓑ	7-1419129-2	0UDH-SH-112D ,000	12V	0UDH-SH-112D	h
	7-1419145-4	0UDH-SH-106D ,000	6V	0UDH-SH-106D	g
	7-1419145-3	0UDH-SH-105D ,000	5V	0UDH-SH-105D	f
	8-1419129-5	0UDH-SS-124D ,000	24V	0UDH-SS-124D	e
	8-1419129-0	0UDH-SS-112D ,000	12V	0UDH-SS-112D	d
	7-1419129-6	0UDH-SS-109D ,000	9V	0UDH-SS-109D	c
	7-1419129-5	0UDH-SS-106D ,000	6V	0UDH-SS-106D	b
	3-1440007-0	0UDH-SS-105D ,000	5V	0UDH-SS-105D	a
	PART NO.	DESCRIPTION	PART B	PART A	ITEM

RELAY TYPE

NOTES

- 1.-SS-:PLASTIC SEALD TYPE
- SH-:WASHABLE TYPE

Ⓐ 2.LOT NO. SYSTEM AS FOLLOWING:



DIMENSIONS: mm 	TOLERANCES UNLESS OTHERWISE SPECIFIED: 0 PLC ± 1 PLC ± 2 PLC ± 3 PLC ± 4 PLC ± ANGLES ±	DWN			
		CHK			
MATERIAL		APVD	NAME		
FINISH		PRODUCT SPEC	0UDH-D SPEC,000 CUSTOMER DRAWING		
		APPLICATION SPEC	SIZE	CAGE CODE	DRAWING NO
		WEIGHT	A3	00779	3-1440007-0
		CUSTOMER DRAWING	RESTRICTED TO		
			SCALE	SHEET	REV
			4:1	2 OF 2	B2