

THIS DRAWING IS UNPUBLISHED. RELEASED FOR PUBLICATION  
 © COPYRIGHT - By - TE CONNECTIVITY ALL RIGHTS RESERVED.

LOC	DIST	REVISIONS 変更					
HB	-	P	LTR	DESCRIPTION	DATE	DWN	APVD
		F		REMOVED THE RIB ON THE BASE TO CASE ECO-15-011310	19Nov2015	YS.H	CHL

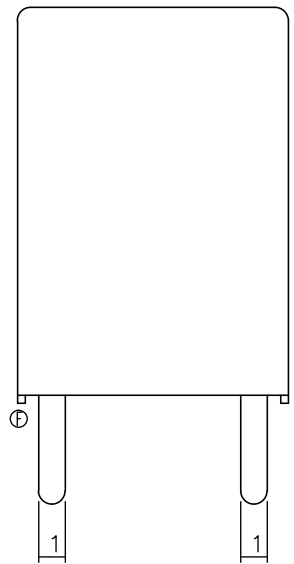
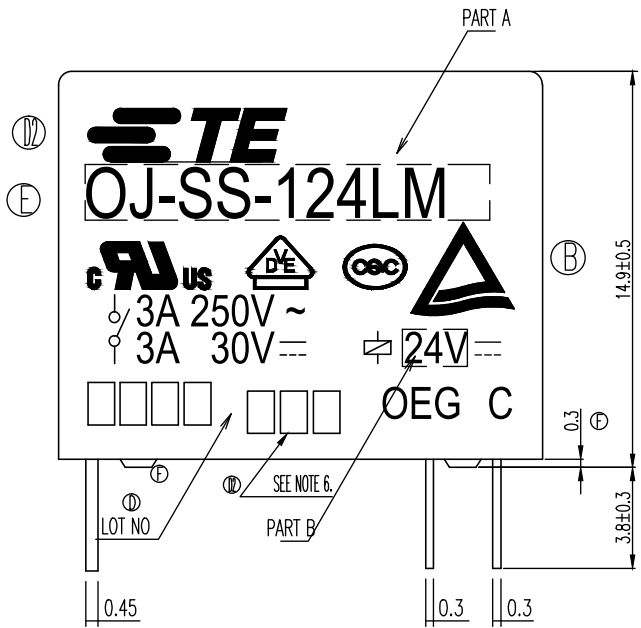
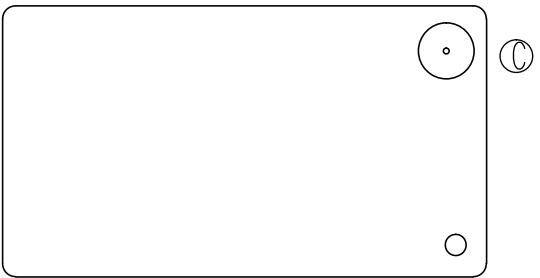
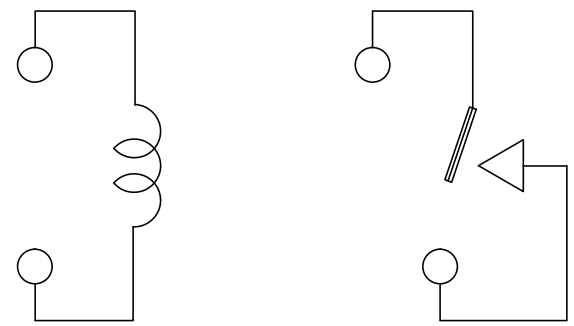


Diagram dimension	Tolerance
0.99mm max.	±0.1mm
1 - 2.99mm	±0.2mm
3mm min.	±0.3mm



CONNECTION FIGURE

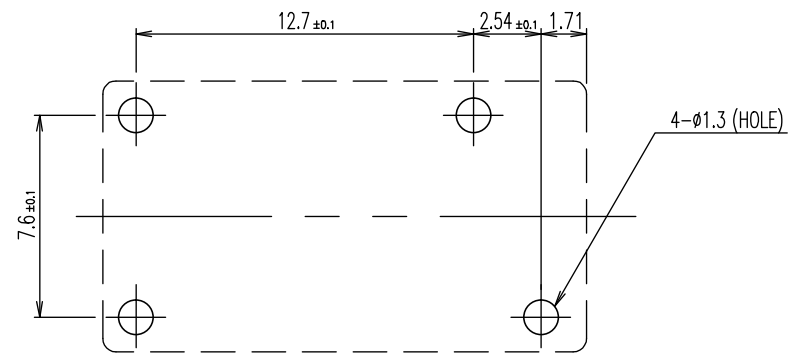
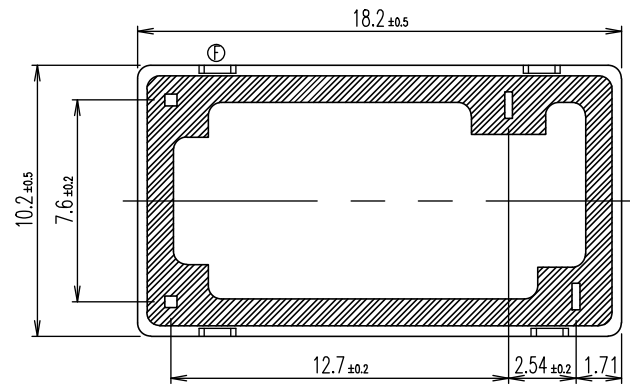


FIGURE FOR PRINTED CIRCUIT BOARD PROCESSING  
(BOTTOM VIEW)



THIS DRAWING IS A CONTROLLED DOCUMENT.		DWN	H.Sasaki	-	<b>TE</b> TE Connectivity		
DIMENSIONS: 単位: 耗 mm		CHK	Y.Oikawa	-			
TOLERANCES UNLESS OTHERWISE SPECIFIED: 一般公差		APVD	A.Nagai	-	NAME 名称 OJ-SS-LM SPEC,000 CUSTOMER DRAWING		
0 PLC ± - 1 PLC ± - 2 PLC ± - 3 PLC ± - 4 PLC ± - ANGLES ± -		PRODUCT SPEC 製品規格			SIZE		
MATERIAL 材料		APPLICATION SPEC 取付適用規格			CAGE CODE	DRAWING NO 番号	RESTRICTED TO
		FINISH 仕上			A3	00779	1461117
					CUSTOMER DRAWING		SCALE 尺度 5:1
					SHEET 1 OF 2		REV F

