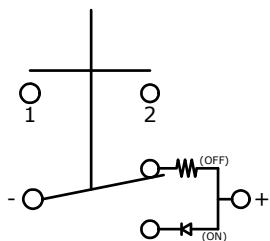
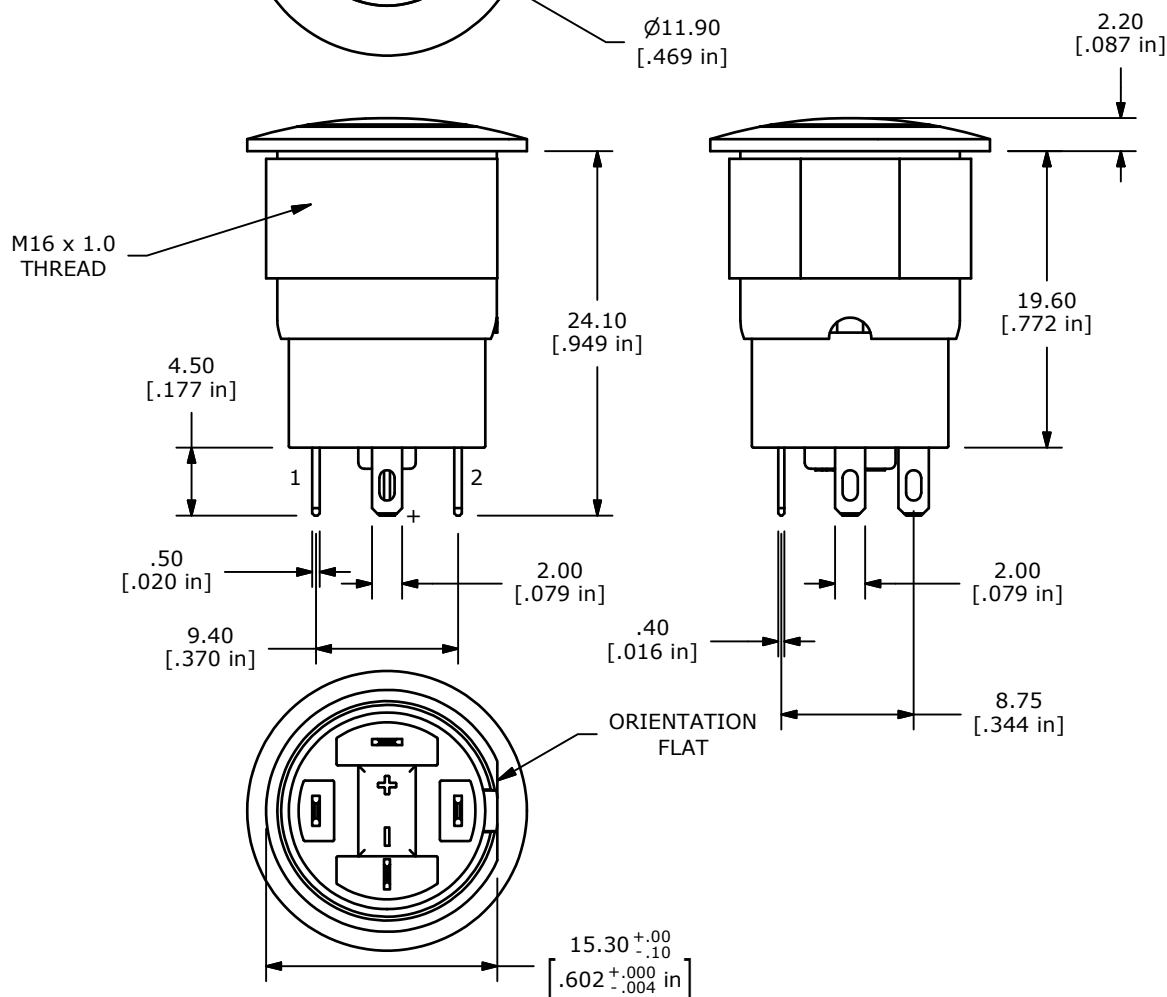
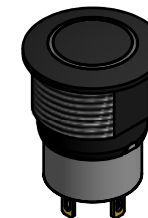
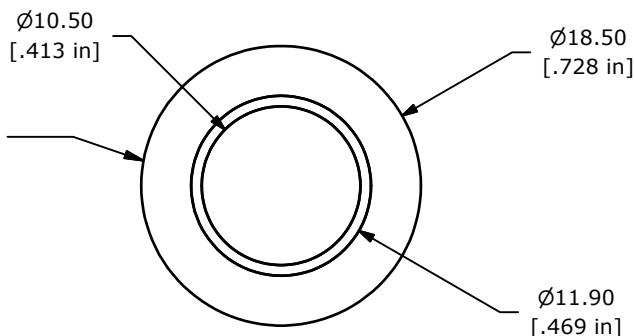


RECOMMEND
PANEL CUT-OUT



SCHEMATIC
SPST
(OFF - ON LATCHING)

▲ BUTTON AND HOUSING FINISH: BLACK ANODIZED



- NOTE:
1. ALL DIMENSIONS IN MM [INCH]
 2. GENERAL TOLERANCE: X.X=±0.4
X.XX=±0.25
 3. TERMINAL NUMBERS FOR REF ONLY
 4. CONTACT MATERIAL: COIN SILVER, GOLD FLASH PLATED
 5. RATING: 2A 36VDC
 6. ELECTRIC LIFE: 100,000 CYCLES
 7. INSULATION RESISTANCE: 1,000MΩ MIN @ 500VDC.
 8. DIELECTRIC STRENGTH: 2,000VAC MIN. FOR 1 MINUTE
 9. CONTACT RESISTANCE: 50mΩ MAX. @ 1A 12VDC
 10. OPERATING TEMP.: -20°C to 70°C
 11. TRAVEL: 2.3 ±0.40 mm
 12. OPERATING FORCE: 460 ±150 GRAMS
 13. ▲ DENOTES CRITICAL PARAMETER.
 - ▲14. ILLUMINATION COLOR: RED (ON POSITION)
 15. HARDWARE SUPPLIED: O-RING AND HEXNUT (NOT SHOWN)
 - ▲16. ILLUMINATION VOLTAGE RATING: 3V @ 20 mA
 17. 2011/65/EU (ROHS) COMPLIANT



TITLE PVA6LRE21111

A	22869	New Release	5/30/17	rc
REV	PCR NO	DESCRIPTION	DATE	BY

SCALE	DATE	DR	DWG	REV
2:1	3/29/2017	rc	T960105	A

THE INFORMATION CONTAINED IN THIS DOCUMENT IS PROPRIETARY TO E-SWITCH AND IS NOT TO BE COPIED OR TRANSFERRED