

### Description

Dual center tap Schottky rectifier designed for high frequency Switched Mode Power Supplies.

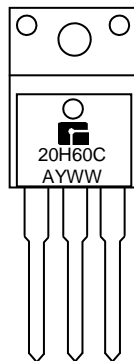
### Features

- High junction temperature capability
- Good trade off between leakage current and forward voltage drop
- Low leakage current

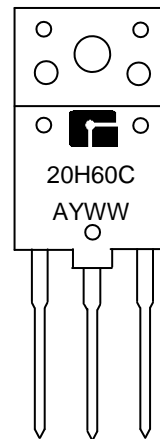
### Applications

- |                           |                        |
|---------------------------|------------------------|
| ■ Switching Power Supply  | ■ LCD Monitor/TV       |
| ■ Industrial Application  | ■ AC-DC Converter      |
| ■ Computer and Peripheral | ■ DC-DC Converter      |
| ■ Home Appliance          | ■ Telecommunication    |
| ■ Consumer Product        | ■ Free Wheeling Diodes |
| ■ Battery Charger/Adapter | ■ Polarity Protection  |

### Marking Information and Pin Configurations (Top View)



TO - 220FPAB & TO - 220AB



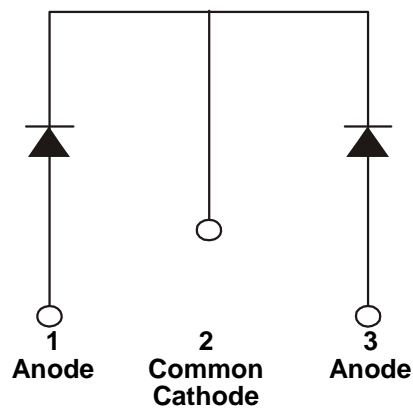
TO - 3P

20: Maximum average forward rectified current - 20A  
 H: Low  $V_F$  family  
 60: Repetitive peak reverse voltage - 60V  
 C: Dual Cathode Common  
 A: Assembly Location  
 Y: Year  
 WW: Work Week

### Ordering Information

ORDERING NUMBER	PACKAGE	SHIPPING
GMR20H60CTB3T	TO220AB	50 Units/ Tube
GMR20H60CTBF3T	TO220FPAB	50 Units/ Tube
GMR20H60CTP3T	TO-3P	30 Units/ Tube

### Block Diagram



## Absolute Maximum Ratings

PARAMETER	SYMBOL	VALUE	UNITS
Repetitive Peak Reverse Voltage	$V_{RPM}$	65	V
RMS Forward Current	$I_{F(RMS)}$	20	A
Peak Forward Surge Current 8.3ms single half sine-wave superimposed on rated load (JEDEC METHOD)	$I_{FSM}$	135	A
Maximum Operating Junction Temperature	$T_J$	175	°C
Operating storage temperature	$T_{STG}$	-45 to +150	°C
Voltage Rate of Change	dV/dt	10,000	V/μs
Electrostatic Discharge Voltage. JEDEC Method. ESD HBM. Contact	$V_{ESD}$	± 8	kV

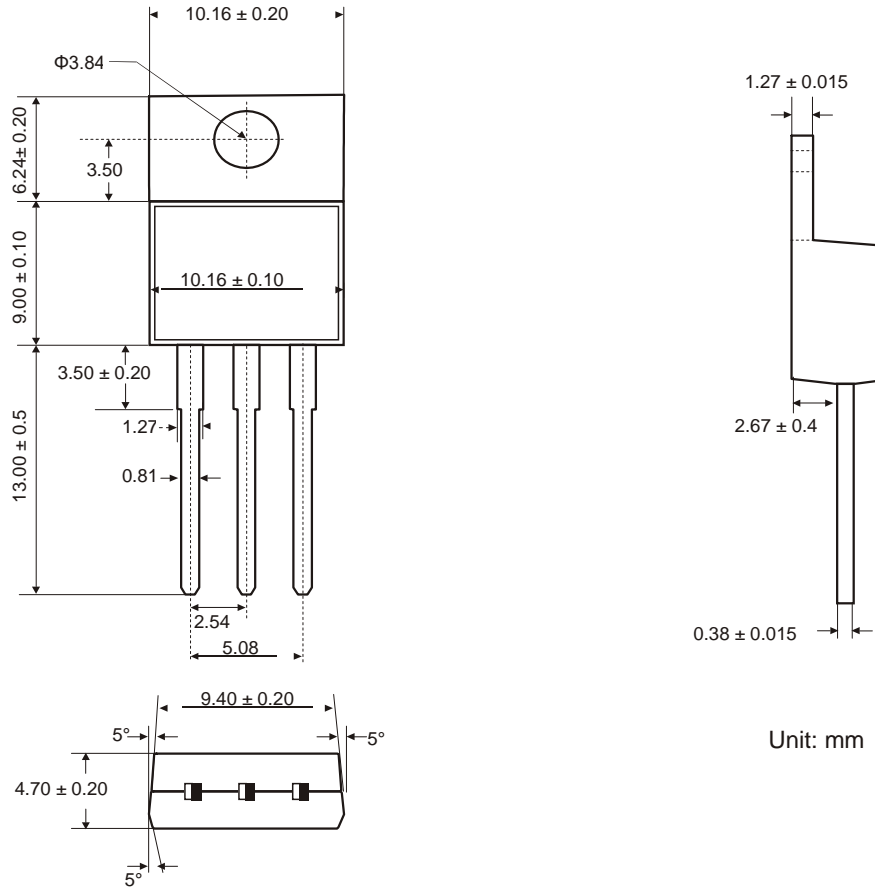
## Thermal Characteristics

PARAMETER	SYMBOL	TO220AB	TO220FPAB	TO-3PF	UNITS
Typical thermal resistance per leg	$\Theta_{JC}$	2.4	4.2	1.2	°C/W

## Electrical Characteristics (per diode) $T_J = 25^\circ\text{C}$ , Unless otherwise noted

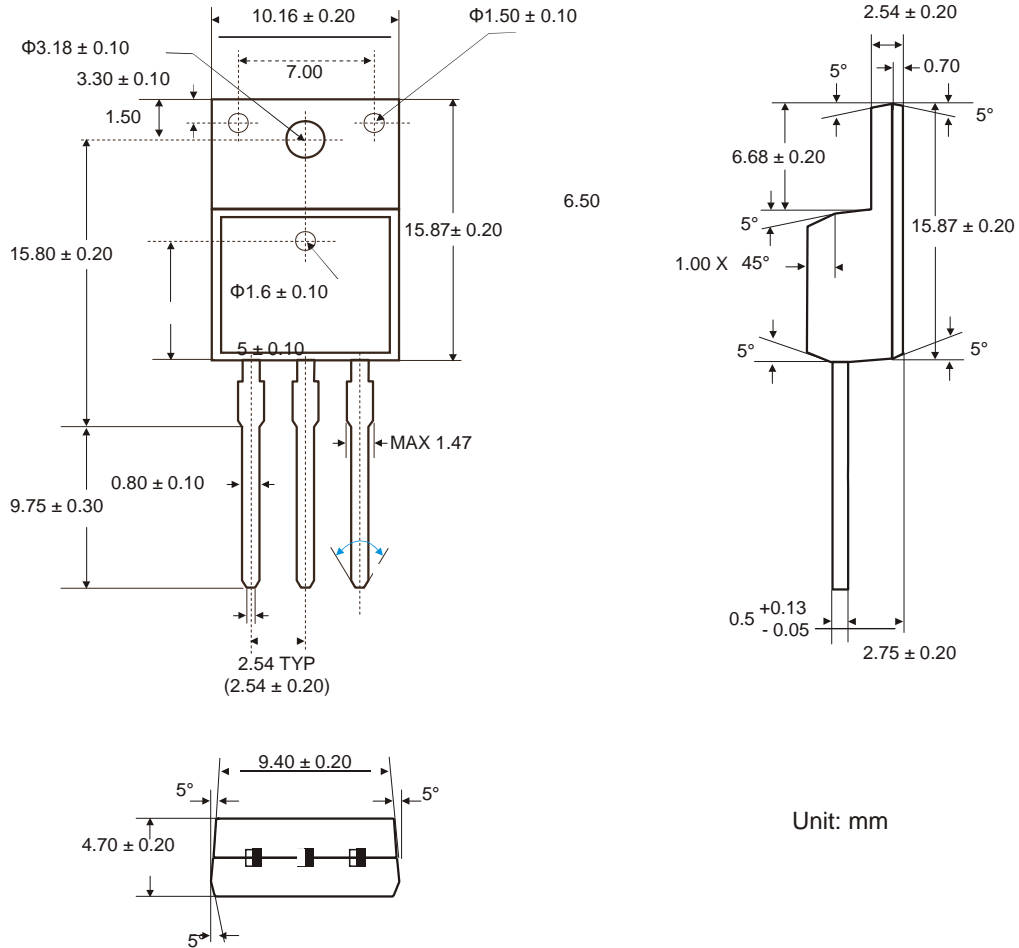
PARAMETER	SYMBOL	Test Condition	Min	Typ	Max	Units
DC Forward Voltage	$V_F$	$I_F = 10\text{A}$		0.77	0.79	V
Average Rectified Forward Current	$I_{F(AV)}$				10	A
Maximum Reverse Current	$I_R$	$V_R = 60\text{V}$	-	8	10	μA
		$V_R = 60\text{V}, T_J = 125^\circ\text{C}$		8	10	mA

**Package Outline Dimensions – TO220AB**



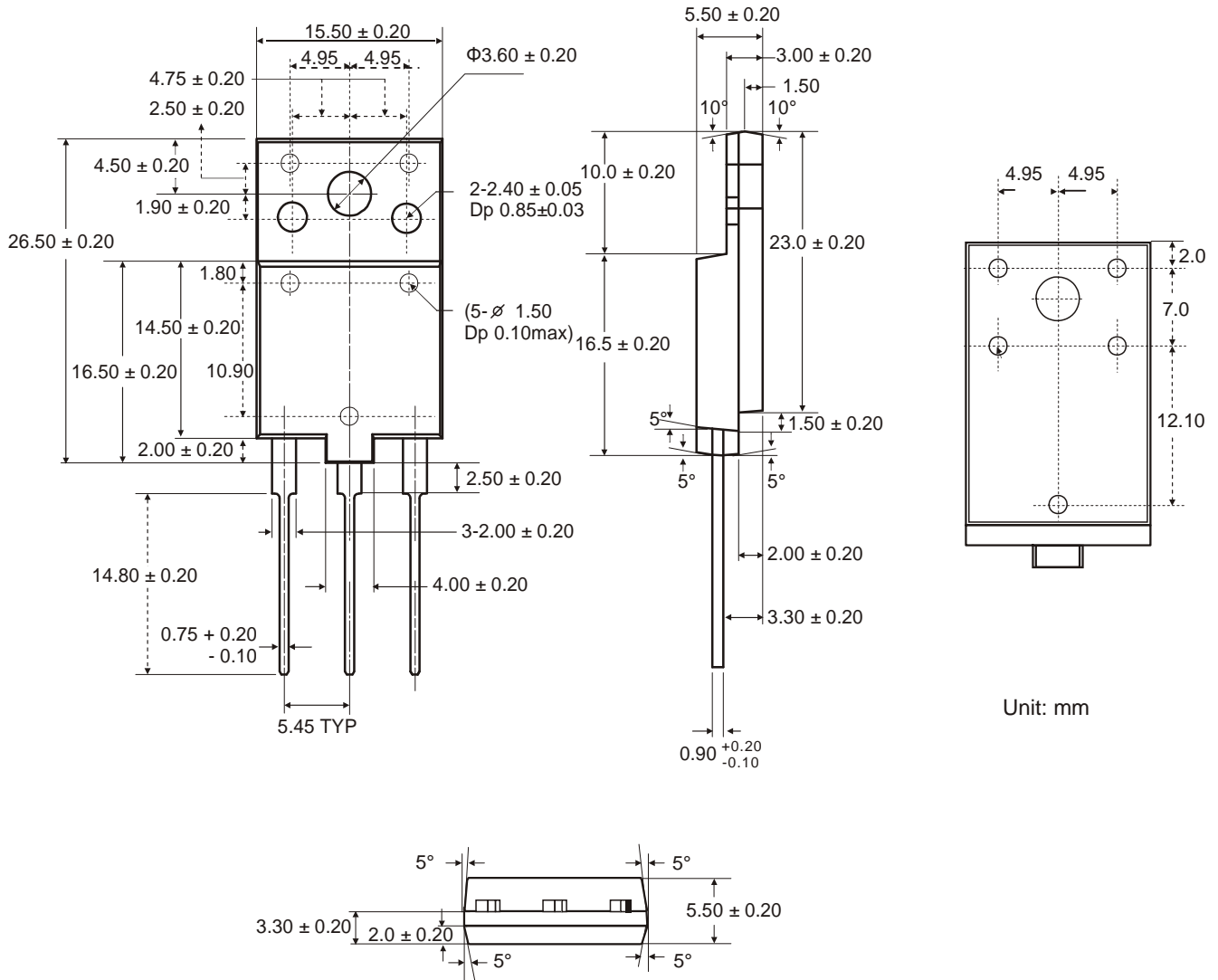
Unit: mm

### Package Outline Dimensions – TO220FPAB



Unit: mm

## Package Outline Dimensions – TO-3P



### Ordering Number

**GM R 20 H 60 C TB3 I**

APM  
Gamma  
Micro

Circuit  
Type:  
Rectifier

Rated  
Current

Low  $I_R$   
/Low  $V_F$   
Family

Rated  
Voltage

Dual  
Cathode  
Common

Package  
TB3: TO220AB  
TBF3: TO220FPAB  
TP3: TO-3P

Shipping  
T: Tube