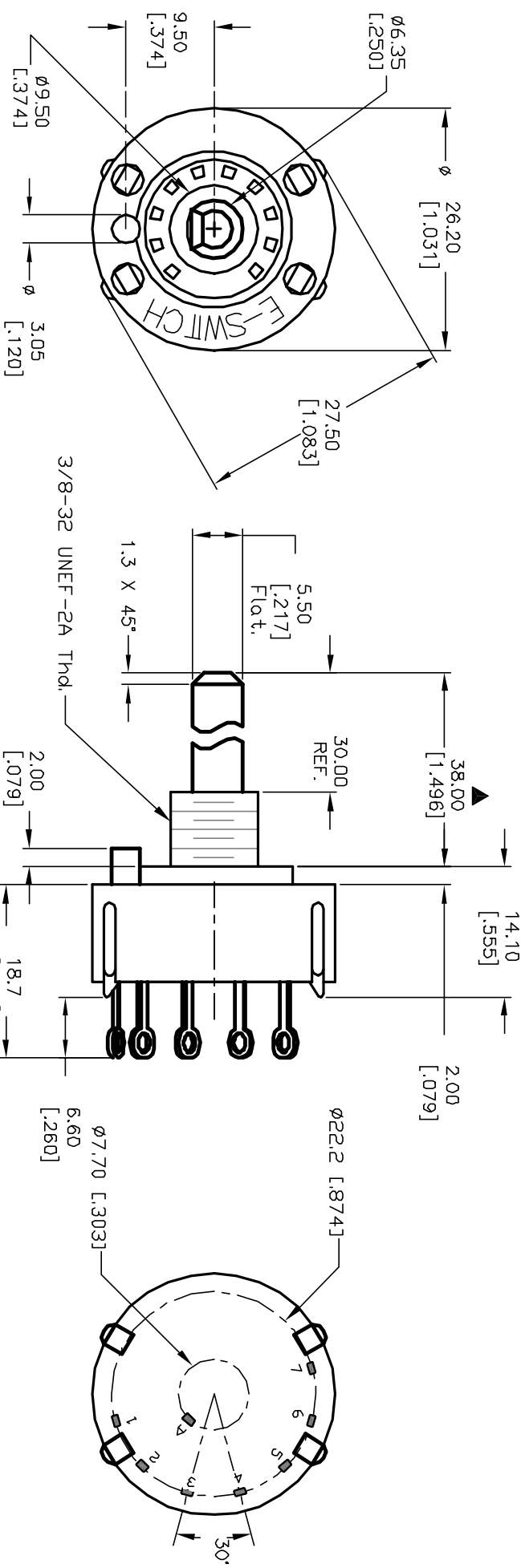
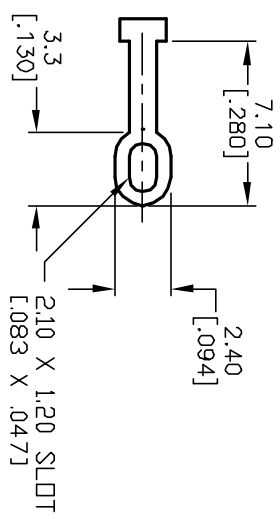
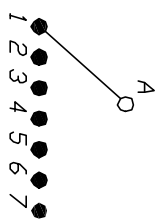


NOTES:

1. ALL DIMENSION IN MM [INCH]
2. GENERAL TOLERANCE: X.X=±0.4
X.XX=±0.25
3. TERM. NOS. FOR REF. ONLY
4. CONTACT RATING SWITCHING: 150mA, 250V AC/DC
350mA, 110V AC/DC
5. CONTACT RATING (NON-SWITCHING) 5A
6. CONTACT MATERIAL: SILVER over COPPER ALLOY.
7. OPERATING FORCE: 425±100 CM/STANDARD
8. OPERATING TEMP: -30° to 85°C
9. CIRCUIT SP: 7 POSITIONS, 30° INDEX.
10. DIELECTRIC STRENGTH 1000V RMS min. @ SEA LEVEL
11. DESIGNATE MAJOR DIMENSIONS
12. SUPPLIED HARDWARE: LOCK NUT AND WASHER (NOT SHOWN).



E-SWITCH®

REV. B		REV. 12633		REV. DESC. PER NEW CATALOG		DATE 12/5/02		CHKD CJB		TITLE	
ECN No.		DESCRIPTION		DATE		CHKD		SCALE		DATE	
12633		DESCRIPTION		12/5/02		CHKD		1.5:1		--	
REV. B		REV. 12633		REV. DESC. PER NEW CATALOG		DATE 12/5/02		CHKD CJB		TITLE	
ECN No.		DESCRIPTION		DATE		CHKD		SCALE		DATE	
12633		DESCRIPTION		12/5/02		CHKD		1.5:1		--	
REV. B		REV. 12633		REV. DESC. PER NEW CATALOG		DATE 12/5/02		CHKD CJB		TITLE	
ECN No.		DESCRIPTION		DATE		CHKD		SCALE		DATE	
12633		DESCRIPTION		12/5/02		CHKD		1.5:1		--	
REV. B		REV. 12633		REV. DESC. PER NEW CATALOG		DATE 12/5/02		CHKD CJB		TITLE	
ECN No.		DESCRIPTION		DATE		CHKD		SCALE		DATE	
12633		DESCRIPTION		12/5/02		CHKD		1.5:1		--	
REV. B		REV. 12633		REV. DESC. PER NEW CATALOG		DATE 12/5/02		CHKD CJB		TITLE	
ECN No.		DESCRIPTION		DATE		CHKD		SCALE		DATE	
12633		DESCRIPTION		12/5/02		CHKD		1.5:1		--	
REV. B		REV. 12633		REV. DESC. PER NEW CATALOG		DATE 12/5/02		CHKD CJB		TITLE	
ECN No.		DESCRIPTION		DATE		CHKD		SCALE		DATE	
12633		DESCRIPTION		12/5/02		CHKD		1.5:1		--	
REV. B		REV. 12633		REV. DESC. PER NEW CATALOG		DATE 12/5/02		CHKD CJB		TITLE	
ECN No.		DESCRIPTION		DATE		CHKD		SCALE		DATE	
12633		DESCRIPTION		12/5/02		CHKD		1.5:1		--	
REV. B		REV. 12633		REV. DESC. PER NEW CATALOG		DATE 12/5/02		CHKD CJB		TITLE	
ECN No.		DESCRIPTION		DATE		CHKD		SCALE		DATE	
12633		DESCRIPTION		12/5/02		CHKD		1.5:1		--	
REV. B		REV. 12633		REV. DESC. PER NEW CATALOG		DATE 12/5/02		CHKD CJB		TITLE	
ECN No.		DESCRIPTION		DATE		CHKD		SCALE		DATE	
12633		DESCRIPTION		12/5/02		CHKD		1.5:1		--	
REV. B		REV. 12633		REV. DESC. PER NEW CATALOG		DATE 12/5/02		CHKD CJB		TITLE	
ECN No.		DESCRIPTION		DATE		CHKD		SCALE		DATE	
12633		DESCRIPTION		12/5/02		CHKD		1.5:1		--	
REV. B		REV. 12633		REV. DESC. PER NEW CATALOG		DATE 12/5/02		CHKD CJB		TITLE	
ECN No.		DESCRIPTION		DATE		CHKD		SCALE		DATE	
12633		DESCRIPTION		12/5/02		CHKD		1.5:1		--	
REV. B		REV. 12633		REV. DESC. PER NEW CATALOG		DATE 12/5/02		CHKD CJB		TITLE	
ECN No.		DESCRIPTION		DATE		CHKD		SCALE		DATE	
12633		DESCRIPTION		12/5/02		CHKD		1.5:1		--	
REV. B		REV. 12633		REV. DESC. PER NEW CATALOG		DATE 12/5/02		CHKD CJB		TITLE	
ECN No.		DESCRIPTION		DATE		CHKD		SCALE		DATE	
12633		DESCRIPTION		12/5/02		CHKD		1.5:1		--	
REV. B		REV. 12633		REV. DESC. PER NEW CATALOG		DATE 12/5/02		CHKD CJB		TITLE	
ECN No.		DESCRIPTION		DATE		CHKD		SCALE		DATE	
12633		DESCRIPTION		12/5/02		CHKD		1.5:1		--	
REV. B		REV. 12633		REV. DESC. PER NEW CATALOG		DATE 12/5/02		CHKD CJB		TITLE	
ECN No.		DESCRIPTION		DATE		CHKD		SCALE		DATE	
12633		DESCRIPTION		12/5/02		CHKD		1.5:1		--	
REV. B		REV. 12633		REV. DESC. PER NEW CATALOG		DATE 12/5/02		CHKD CJB		TITLE	
ECN No.		DESCRIPTION		DATE		CHKD		SCALE		DATE	
12633		DESCRIPTION		12/5/02		CHKD		1.5:1		--	
REV. B		REV. 12633		REV. DESC. PER NEW CATALOG		DATE 12/5/02		CHKD CJB		TITLE	
ECN No.		DESCRIPTION		DATE		CHKD		SCALE		DATE	
12633		DESCRIPTION		12/5/02		CHKD		1.5:1		--	
REV. B		REV. 12633		REV. DESC. PER NEW CATALOG		DATE 12/5/02		CHKD CJB		TITLE	
ECN No.		DESCRIPTION		DATE		CHKD		SCALE		DATE	
12633		DESCRIPTION		12/5/02		CHKD		1.5:1		--	
REV. B		REV. 12633		REV. DESC. PER NEW CATALOG		DATE 12/5/02		CHKD CJB		TITLE	
ECN No.		DESCRIPTION		DATE		CHKD		SCALE		DATE	
12633		DESCRIPTION		12/5/02		CHKD		1.5:1		--	
REV. B		REV. 12633		REV. DESC. PER NEW CATALOG		DATE 12/5/02		CHKD CJB		TITLE	
ECN No.		DESCRIPTION		DATE		CHKD		SCALE		DATE	
12633		DESCRIPTION		12/5/02		CHKD		1.5:1		--	
REV. B		REV. 12633		REV. DESC. PER NEW CATALOG		DATE 12/5/02		CHKD CJB		TITLE	
ECN No.		DESCRIPTION		DATE		CHKD		SCALE		DATE	
12633		DESCRIPTION		12/5/02		CHKD		1.5:1		--	
REV. B		REV. 12633		REV. DESC. PER NEW CATALOG		DATE 12/5/02		CHKD CJB		TITLE	
ECN No.		DESCRIPTION		DATE		CHKD		SCALE		DATE	
12633		DESCRIPTION		12/5/02		CHKD		1.5:1		--	
REV. B		REV. 12633		REV. DESC. PER NEW CATALOG		DATE 12/5/02		CHKD CJB		TITLE	
ECN No.		DESCRIPTION		DATE		CHKD		SCALE		DATE	
12633		DESCRIPTION		12/5/02		CHKD		1.5:1		--	
REV. B		REV. 12633		REV. DESC. PER NEW CATALOG		DATE 12/5/02		CHKD CJB		TITLE	
ECN No.		DESCRIPTION		DATE		CHKD		SCALE		DATE	
12633		DESCRIPTION		12/5/02		CHKD		1.5:1		--	
REV. B		REV. 12633		REV. DESC. PER NEW CATALOG		DATE 12/5/02		CHKD CJB		TITLE	
ECN No.		DESCRIPTION		DATE		CHKD		SCALE		DATE	
12633		DESCRIPTION		12/5/02		CHKD		1.5:1		--	
REV. B		REV. 12633		REV. DESC. PER NEW CATALOG		DATE 12/5/02		CHKD CJB		TITLE	
ECN No.		DESCRIPTION		DATE		CHKD		SCALE		DATE	
12633		DESCRIPTION		12/5/02		CHKD		1.5:1		--	
REV. B		REV. 12633		REV. DESC. PER NEW CATALOG		DATE 12/5/02		CHKD CJB		TITLE	
ECN No.		DESCRIPTION		DATE		CHKD		SCALE		DATE	
12633		DESCRIPTION		12/5/02		CHKD		1.5:1		--	
REV. B		REV. 12633		REV. DESC. PER NEW CATALOG		DATE 12/5/02		CHKD CJB		TITLE	
ECN No.		DESCRIPTION		DATE		CHKD		SCALE		DATE	
12633		DESCRIPTION		12/5/02		CHKD		1.5:1		--	
REV. B		REV. 12633		REV. DESC. PER NEW CATALOG		DATE 12/5/02		CHKD CJB		TITLE	
ECN No.		DESCRIPTION		DATE		CHKD		SCALE		DATE	
12633		DESCRIPTION		12/5/02		CHKD		1.5:1		--	
REV. B		REV. 12633		REV. DESC. PER NEW CATALOG		DATE 12/5/02		CHKD CJB		TITLE	
ECN No.		DESCRIPTION		DATE		CHKD		SCALE		DATE	
12633		DESCRIPTION		12/5/02		CHKD		1.5:1		--	
REV. B		REV. 12633		REV. DESC. PER NEW CATALOG		DATE 12/5/02		CHKD CJB		TITLE	
ECN No.		DESCRIPTION		DATE		CHKD		SCALE		DATE	
12633		DESCRIPTION		12/5/02		CHKD		1.5:1		--	
REV. B		REV. 12633		REV. DESC. PER NEW CATALOG		DATE 12/5/02		CHKD CJB		TITLE	
ECN No.		DESCRIPTION		DATE		CHKD		SCALE		DATE	
12633		DESCRIPTION		12/5/02		CHKD		1.5:1		--	
REV. B		REV. 12633		REV. DESC. PER NEW CATALOG		DATE 12/5/02		CHKD CJB		TITLE	
ECN No.		DESCRIPTION		DATE		CHKD		SCALE		DATE	
12633		DESCRIPTION		12/5/02		CHKD		1.5:1		--	
REV. B		REV. 12633		REV. DESC. PER NEW CATALOG		DATE 12/5/02		CHKD CJB		TITLE	
ECN No.		DESCRIPTION		DATE		CHKD		SCALE		DATE	
12633		DESCRIPTION		12/5/02		CHKD		1.5:1		--	
REV. B		REV. 12633		REV. DESC. PER NEW CATALOG		DATE 12/5/02		CHKD CJB		TITLE	
ECN No.		DESCRIPTION		DATE		CHKD		SCALE		DATE	
12633		DESCRIPTION		12/5/02		CHKD		1.5:1		--	
REV. B		REV. 12633		REV. DESC. PER NEW CATALOG		DATE 12/5/02		CHKD CJB		TITLE	
ECN No.		DESCRIPTION		DATE		CHKD		SCALE		DATE	
12633		DESCRIPTION		12/5/02		CHKD		1.5:1		--	
REV. B		REV. 12633		REV. DESC. PER NEW CATALOG		DATE 12/5/02		CHKD CJB		TITLE	
ECN No.		DESCRIPTION		DATE		CHKD		SCALE		DATE	
12633		DESCRIPTION		12/5/02		CHKD		1.5:1		--	
REV. B		REV. 12633		REV. DESC. PER NEW CATALOG		DATE 12/5/02		CHKD CJB		TITLE	
ECN No.		DESCRIPTION		DATE		CHKD		SCALE		DATE	
12633		DESCRIPTION		12/5/02		CHKD		1.5:1		--	
REV. B		REV. 12633		REV. DESC. PER NEW CATALOG		DATE 12/5/02		CHKD CJB		TITLE	
ECN No.		DESCRIPTION		DATE		CHKD		SCALE		DATE	
12633		DESCRIPTION		12/5/02		CHKD		1.5:1		--	
REV. B		REV. 12633		REV. DESC. PER NEW CATALOG		DATE 12/5/02		CHKD CJB		TITLE	
ECN No.		DESCRIPTION		DATE		CHKD		SCALE		DATE	
12633		DESCRIPTION		12/5/02		CHKD		1.5:1		--	
REV. B		REV. 12633		REV. DESC. PER NEW CATALOG		DATE 12/5/02		CHKD CJB		TITLE	
ECN No.		DESCRIPTION		DATE		CHKD		SCALE		DATE	
12633		DESCRIPTION		12/5/02		CHKD		1.5:1		--	
REV. B		REV. 12633		REV. DESC. PER NEW CATALOG		DATE 12/5/02		CHKD CJB		TITLE	
ECN No.		DESCRIPTION		DATE		CHKD		SCALE		DATE	
12633		DESCRIPTION		12/5/02		CHKD		1.5:1		--	
REV. B		REV. 12633		REV. DESC. PER NEW CATALOG		DATE 12/5/02		CHKD CJB		TITLE	
ECN No.		DESCRIPTION		DATE		CHKD		SCALE		DATE	
12633		DESCRIPTION		12/5/02		CHKD		1.5:1		--	
REV. B		REV. 12633		REV. DESC. PER NEW CATALOG		DATE 12/5/02		CHKD CJB		TITLE	
ECN No.		DESCRIPTION		DATE		CHKD		SCALE		DATE	
12633		DESCRIPTION		12/5/02		CHKD		1.5:1		--	
REV. B		REV. 12633		REV. DESC. PER NEW CATALOG		DATE 12/5/02		CHKD CJB		TITLE	
ECN No.		DESCRIPTION		DATE		CHKD		SCALE		DATE	
12633		DESCRIPTION		12/5/02		CHKD		1.5:1		--	
REV. B		REV. 12633		REV. DESC. PER							