

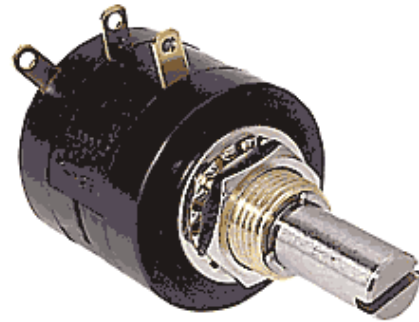
CPM Potentiometers

Precision Multi-Turn Potentiometers



FEATURES

- Available as 3, 5, and 10 turn models
- Hybrid element. High temp thermo plastic housing
- Recommended for medical equipment (non-life support), test and lab equipment, and industrial applications
- Robust electrically insulated design
- Great rotational reliability up to 10 million turns



SERIES SPECIFICATIONS

Series	No. of Turns	Electrical angle	Mechanical angle	Linearity independent	Power rating	Rotational life	Weight
CPM	3	1080°±5°	1080°+10°/-0°	±0.5%	1W	5,000,000	0.8 oz.
	5	1800°±5°	1800°+10°/-0°	±0.35%	1W	5,000,000	0.8 oz.
	10	3600°±5°	3600°+10°/-0°	±0.25%	2W	10,000,000	0.8 oz.

CHARACTERISTICS

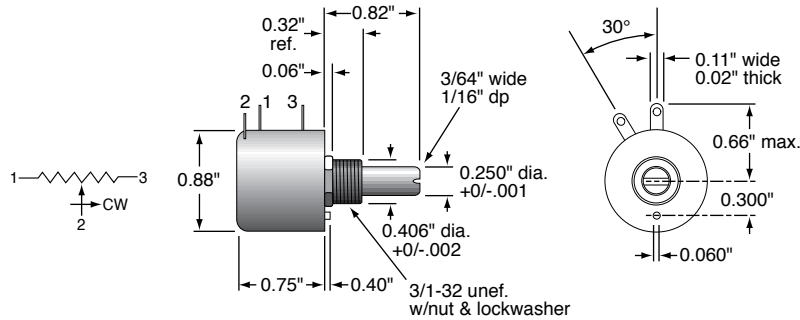
Element	Hybrid	Dielectric strength	1000VAC min.
Housing	High Temp Thermo Plastic	Stop strength	48 in. oz.
Mount	Brass bushing std.; servo available	Output smoothness	<0.015% (10 turn), <0.05% (3 and 5 turn)
Terminals	Gold plated brass	Contact variation	<3% (10 turn), <5% (3 and 5 turn)
Shaft	Stainless steel	End voltage	0.3% max.
Life expectancy	10 mil. turns (10 turn), 5 mil. turns (3 and 5 turn)	Operating temperature	-55°C to +105°C
Resistance tolerance	±10% standard (±5% special order)	Temperature coefficient	±100PPM/°C
Linearity tolerance	±0.3% standard (±0.1% special order)	Vibration	10HZ to 2000HZ I5G
Power rating	2 Watt (10 turn), 1 Watt (5 turn), 1 Watt (3 turn)	Shock	50g 11ms
Torque	0.7 oz. in. max.	Moisture resistance	40°C 95%RH 120 hours
Insulation resistance	1000MΩ min. @500VDC	Resolution	essentially infinite
		Weight	0.8 oz.

(continued)

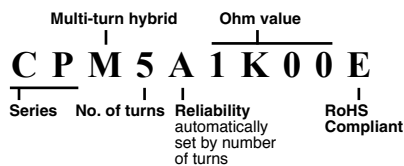
CPM Potentiometers

Precision Multi-Turn Potentiometers

DIMENSIONS



HOW TO ORDER



Standard part numbers

CPM03A1K00E	CPM05A50K0E
CPM03A5K00E	CPM10A1K00E
CPM03A10K0E	CPM10A5K00E
CPM05A1K00E	CPM10A10K0E
CPM05A5K00E	CPM10A20K0E
CPM05A10K0E	CPM10A50K0E
CPM05A20K0E	CPM10A100K0E

DIAL

ACD22 10 Turns Counting Dial

22mm, 10 turns counting dial in satin-chrome finish, for precision potentiometers and other rotating devices.

FEATURES

- Compact design
- Accepts 6.35mm (1/4") diameter shafts
- Excellent legibility
- Locking brake

Part number	ACD22 6.35-10
Number of turns	10 turns
Dial Divisions	50 Per turn
Diameter	22mm
Weight	16 grams
Finish	Satin-chrome with black plastic knob
Markings	White on black background
Readout	Concentric scale

