



Specifications

Electrical Ratings	1A @ 24VDC 1A @ 125VAC 0.5A @ 250VAC
Sealing Degree	IP65
Electrical Life	50,000 cycles typical
Contact Resistance	≤ 50mΩ initial

Actuation Force	550 ±50gF
Actuation Travel	2.5 ± .3mm
Dielectric Strength	2000Vrms min contact to contact 2000Vrms min contact to LED
Insulation Resistance	≥ 100MΩ min
Operating Temperature	-25°C to 70°C
Storage Temperature	-25°C to 70°C

Materials

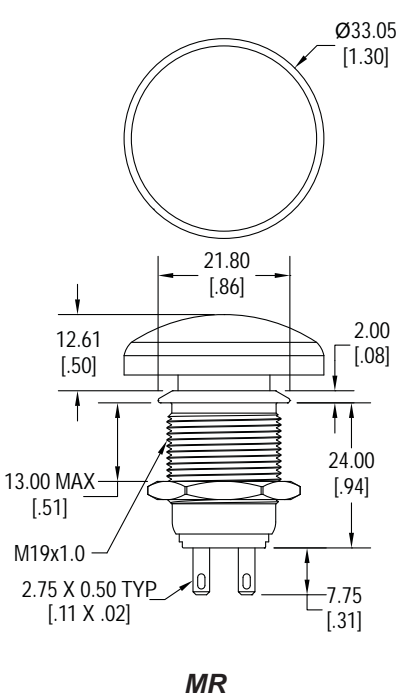
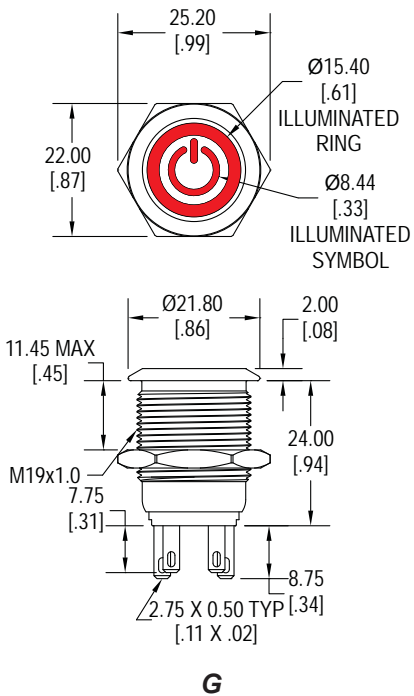
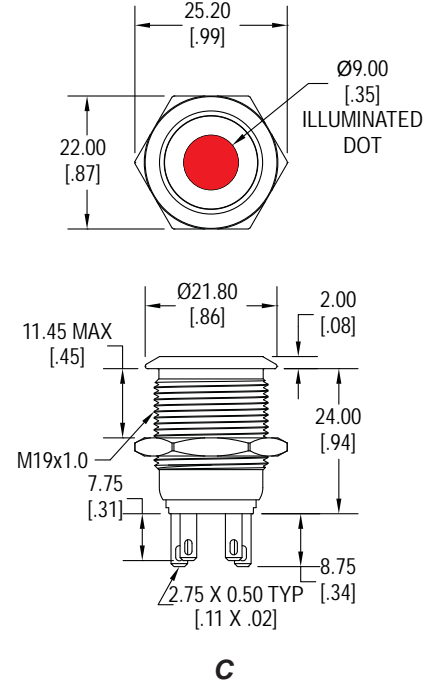
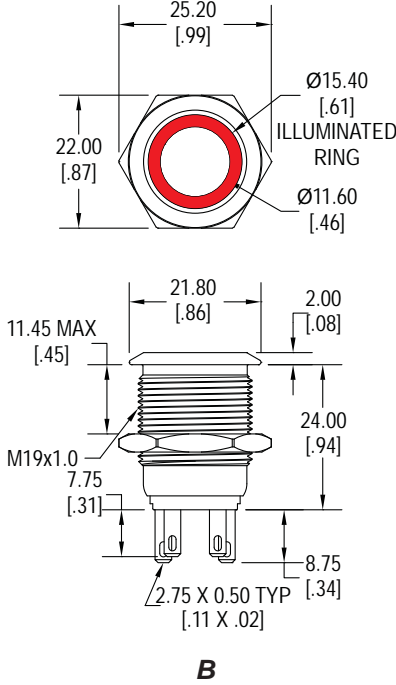
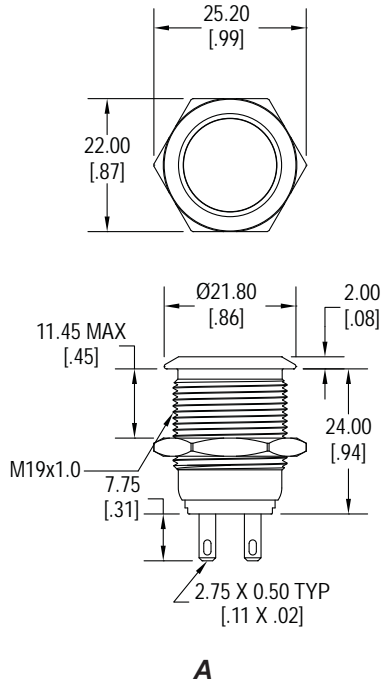
Actuator	Stainless Steel, Black Anodized Aluminum
LED Lens	Polycarbonate (PC)
Threaded Body	Stainless Steel, Black Anodized Aluminum
Terminal Support	Polybutylene Terephthalate (PBT)
Inner Switch Body	Polycarbonate (PC)
Contacts	Silver Alloy
Terminals	Tin Plated Brass, Epoxy Sealed
Hardware	One Hex Nut & One "O" Ring Supplied

Ordering Information

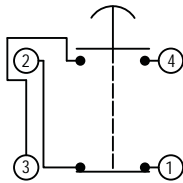
1. Series	AH	1	N	A	S
2. Number of Poles	1 = SPST NO +SPST NC				
3. Latching Option	N = Momentary				
4. Actuator Style:	A = Flush actuator, non-illuminated B = Flush actuator, ring illuminated C = Flush actuator, dot illuminated G = Flush actuator, ring illuminated, international standby symbol and ring MR = Mushroom actuator, red anodized aluminum				
5. Switch Finish	S = Stainless Steel B = Black Anodized Aluminum G = Green Anodized Aluminum R = Red Anodized Aluminum U = Blue Anodized Aluminum Y = Yellow Anodized Aluminum				
6. First LED Color	G = Green Blank = No LED R = Red Y = Yellow B = Blue W = White O = Orange				
7. Second LED Color	Blank = No LED R = Red Y = Yellow G = Green B = Blue O = Orange **For bi-color LED option, White not available				
8. LED Voltage	Blank = No LED 6 = 6VDC 12 = 12VDC 24 = 24VDC 110 = 110VAC 220 = 220VAC N = No internal resistor in series with the LED				

Illuminated Pushbutton - 19mm

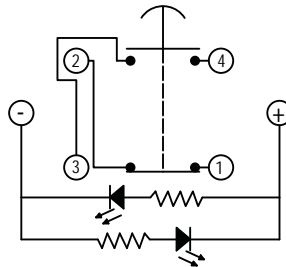
Dimensions



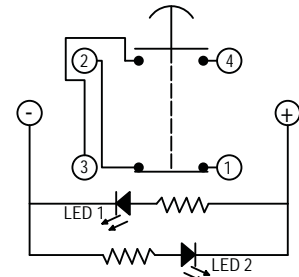
Schematics



SPST NO + SPST NC
No LED

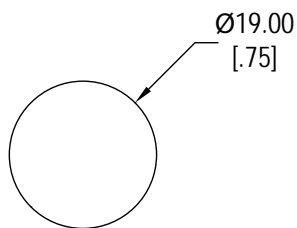


SPST NO + SPST NC
Single Color LED

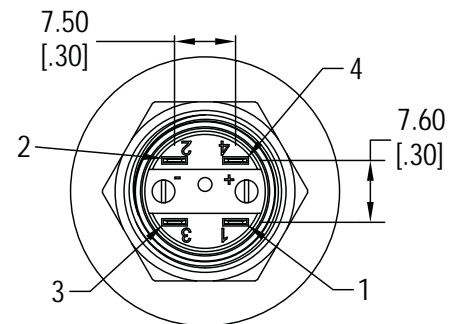
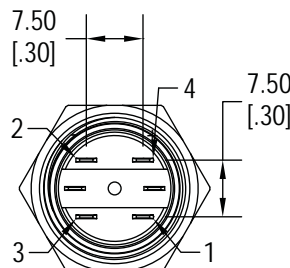


SPST NO + SPST NC
Dual Color LED

Panel Cut-Out



Bottom Views



LED Characteristics

LED Ratings		Color							Units
		R	Y	G	B	O	W		
Reverse Voltage	V_R	5	5	5	5	5	5	V	
Forward Current (avg)	I_F	25	25	30	30	25	30	mA	
Forward Current (peak)	I_{FS}	120	120	160	160	120	160	mA	
Reverse Current $V_R = 5V$	I_R	10	10	10	10	10	10	μA	
Power Dissipation	P_T	80	80	120	120	80	120	mW	
Operating & Storage Temperature	T_A	-40 ~ +85						C°	
Forward Voltage (typ) $I_F = 20mA$	V_F	2.1	2.1	3.3	3.3	2.0	3.0	V	
Forward Voltage (max) $I_F = 20mA$	V_F	2.4	2.5	3.6	3.6	2.3	3.6	V	
Wavelength at Peak Emmission $I_F = 20mA$	λ_P	635	592	516	463	606	n/a	nm	
Spectral Line Half-Width $I_F = 20mA$	$\Delta\lambda$	14	12	28	20	12	n/a	nm	
Luminous Intensity, $I_F = 20mA$	LI	120	120	170	100	120	700	mcd	
Viewing Angle	Θ	145	145	145	145	145	145	deg	

Features

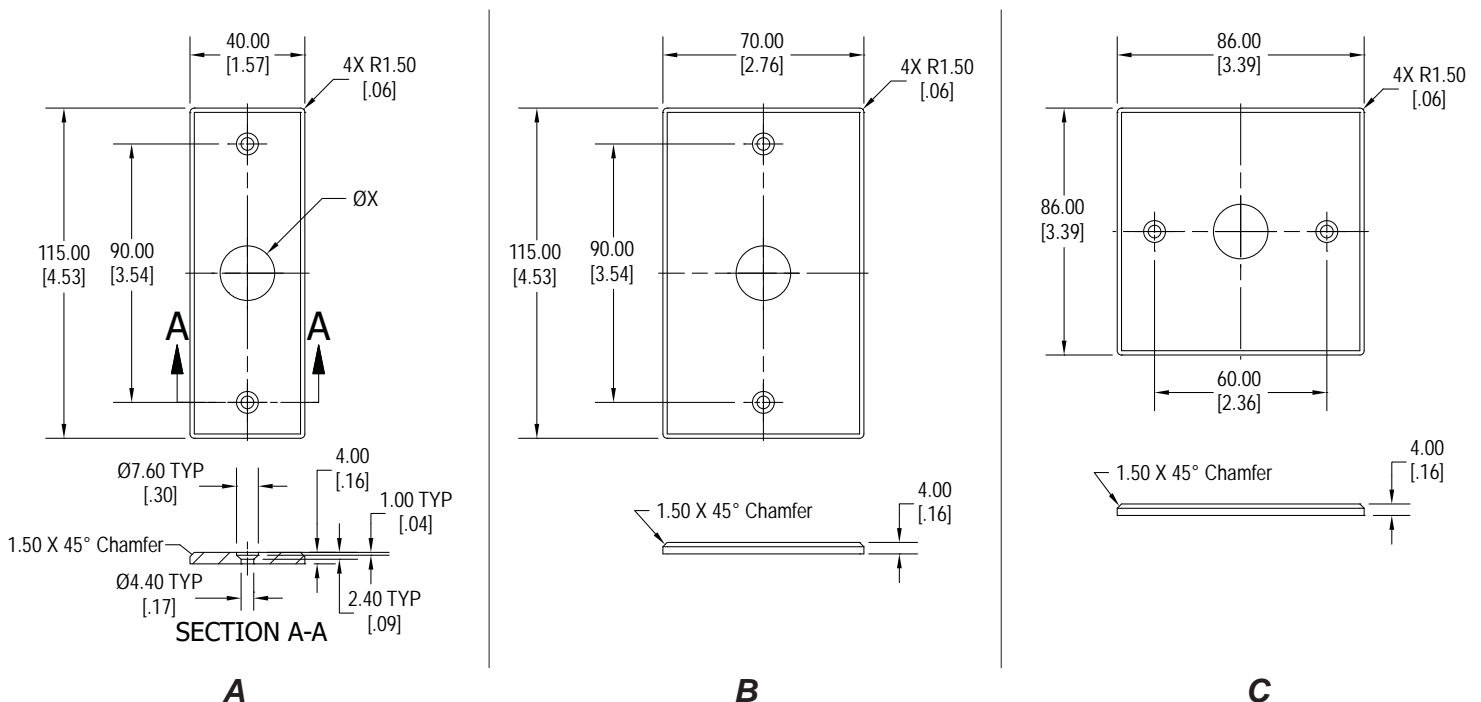
- ◆ Fits standard size electrical boxes
- ◆ Multiple size options
- ◆ 2 finish options
- ◆ Laser etching available

Ordering Information

1. Series	WP	B	19	A	X
WP					
2. Size:					
A =	40mm x 115mm				
B =	70mm x 115mm				
C =	86mm x 86mm				
3. Hole Size:					
19 =	19mm diameter				
4. Material					
A =	Brushed aluminum				
Y =	Brushed aluminum, yellow anodized				
5. Laser Etching Symbol:	Contact Factory with artwork				



Dimensions





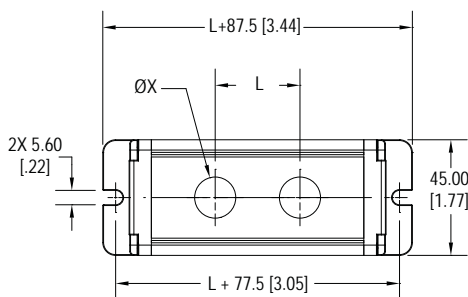
Features

- Easy installation
- Multiple size options
- Aluminum housing

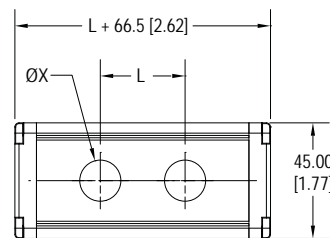
Ordering Information

1. Series	AVH	F	4	19
AVH				
2. Mounting Options: F = With mounting flange T = Without mounting flange				
3. Number of Positions: 1 = 1 position 2 = 2 positions 3 = 3 positions 4 = 4 positions 5 = 5 positions Contact Factory for custom sizes and number of positions				
4. Hole Size: 19 = 19mm diameter				

Dimensions



F



T

