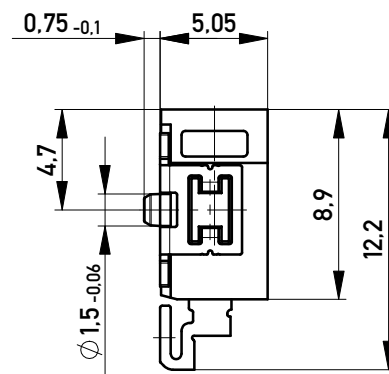
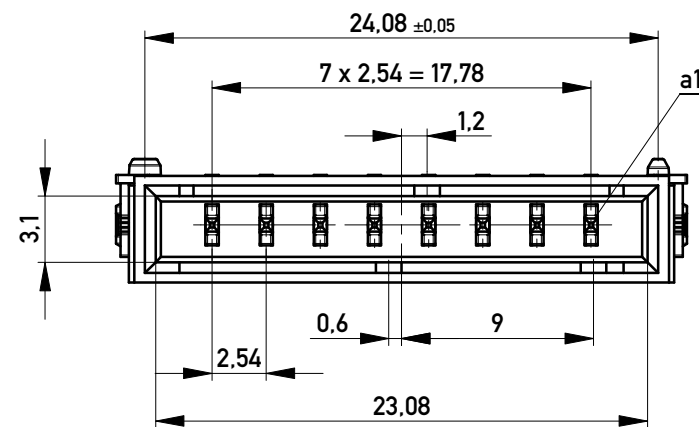
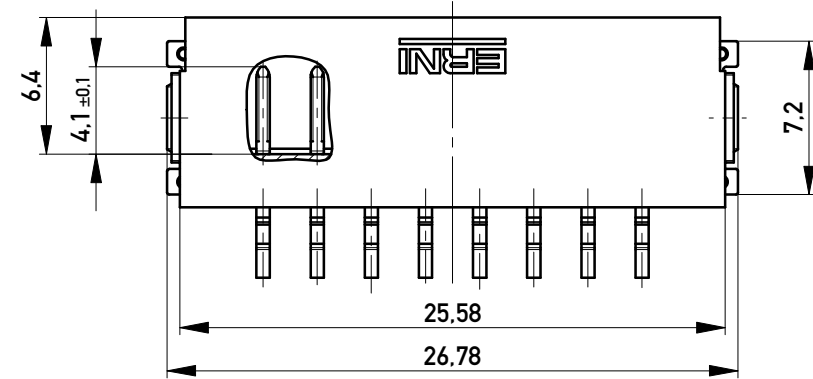
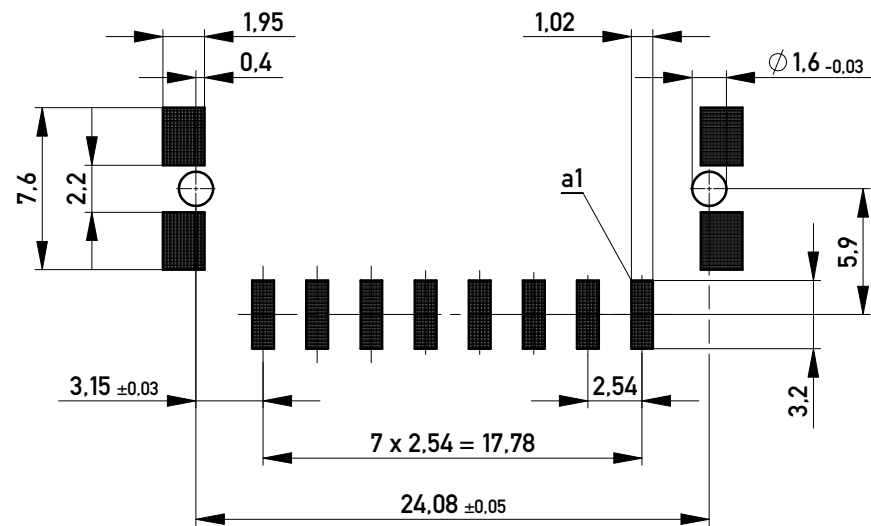


Leiterplatten-Layout Vorschlag für SMT
PCB-Layout Proposal for SMT



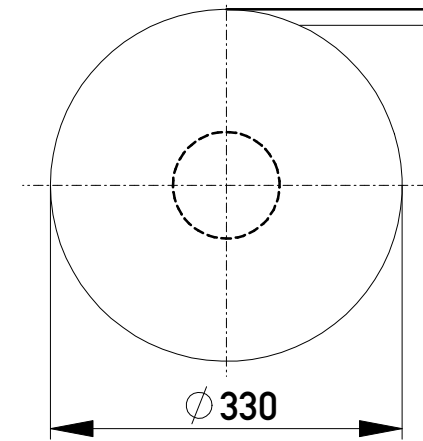
Anforderungsstufe 1
Performance Level 1

Kontaktbereich vergoldet
Mating Area gold plating

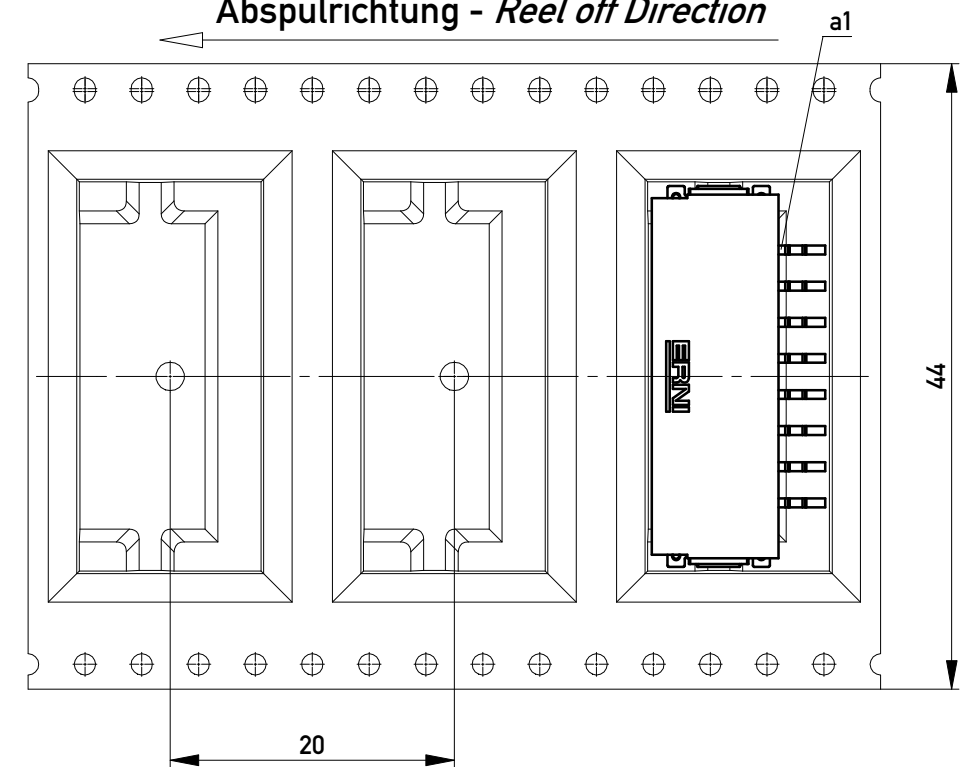
Anschlussbereich verzinkt 4-6 µm
Terminal Area 4-6 µm tin plating

Koplanarität der Anschlüsse ≤ 0,1 mm
Coplanarity Area of Termination ≤ 0,1 mm

Verpackt in Gurtverpackung
Tape on Reel Packaging
Verpackungseinheit: 440 Stück
Packaging unit: 440 pcs



Abspulrichtung - Reel off Direction



Für die Anforderung nach PG 9 der LV214 (Koshiri-Sicherheit)
For the requirement of the LV214 PG 9 (Koshiri-security)

| | | | | |
|--|--|--------------------------|---|--|
| Information: Codierung schwarz Coding black | Tolerances | All Dimensions in mm | Scale | 3:1 |
| | All rights reserved. Only for Information. To ensure that this is the latest version of this drawing, please contact one of the ERNI companies before using. | | Subject to modification without prior notice. Drawing will not be updated. | Designation M 2,54 SRC-A, 8-polig BA1 KS |
| a Index | 18.09.2014 Date | www.ERNI.com | 100203710001 | K A3 |
| | | | Class | SRCA |

Copyright by ERNI Production GmbH & Co. KG
Proprietary notice pursuant to ISO 16016 to be observed.